

TABLE S107.7 - UPLIFT CONNECTIONS - 143 MPH WINDS EXP "C"

CONNECTION	FRAMING SPACING (INCHES)	ROOF SPAN (FEET)	UPLIFT			NUMBER OF 8d COMMON NAILS OR 10d BOX NAILS IN EACH END OF 1-1/4"x20 GAGE STRAP
			LATERAL	SHEAR	DIAGONAL	
ROOF ASSEMBLY TO WALL ASSEMBLY	16" OC	16	40T	292	152R	4
WALL ASSEMBLY TO FOUNDATION	16" OC	16	224	219	436	4

TABLE S107.8 - SILL OR BOTTOM PLATE TO FOUNDATION CONNECTIONS RESISTING UPLIFT LOADS - 143 MPH WIND EXP "C"

BOTTOM PLATE TO FOUNDATION ANCHOR BOLT CONNECTION RESISTING	FOUNDATION SUPPORTING	MAXIMUM ANCHOR BOLT SPACING (INCHES)	
		8' END ZONES	INTERIOR ZONES
UPLIFT LOADS	1 - 3 STORIES	25 INCHES ON CENTER	30 INCHES ON CENTER

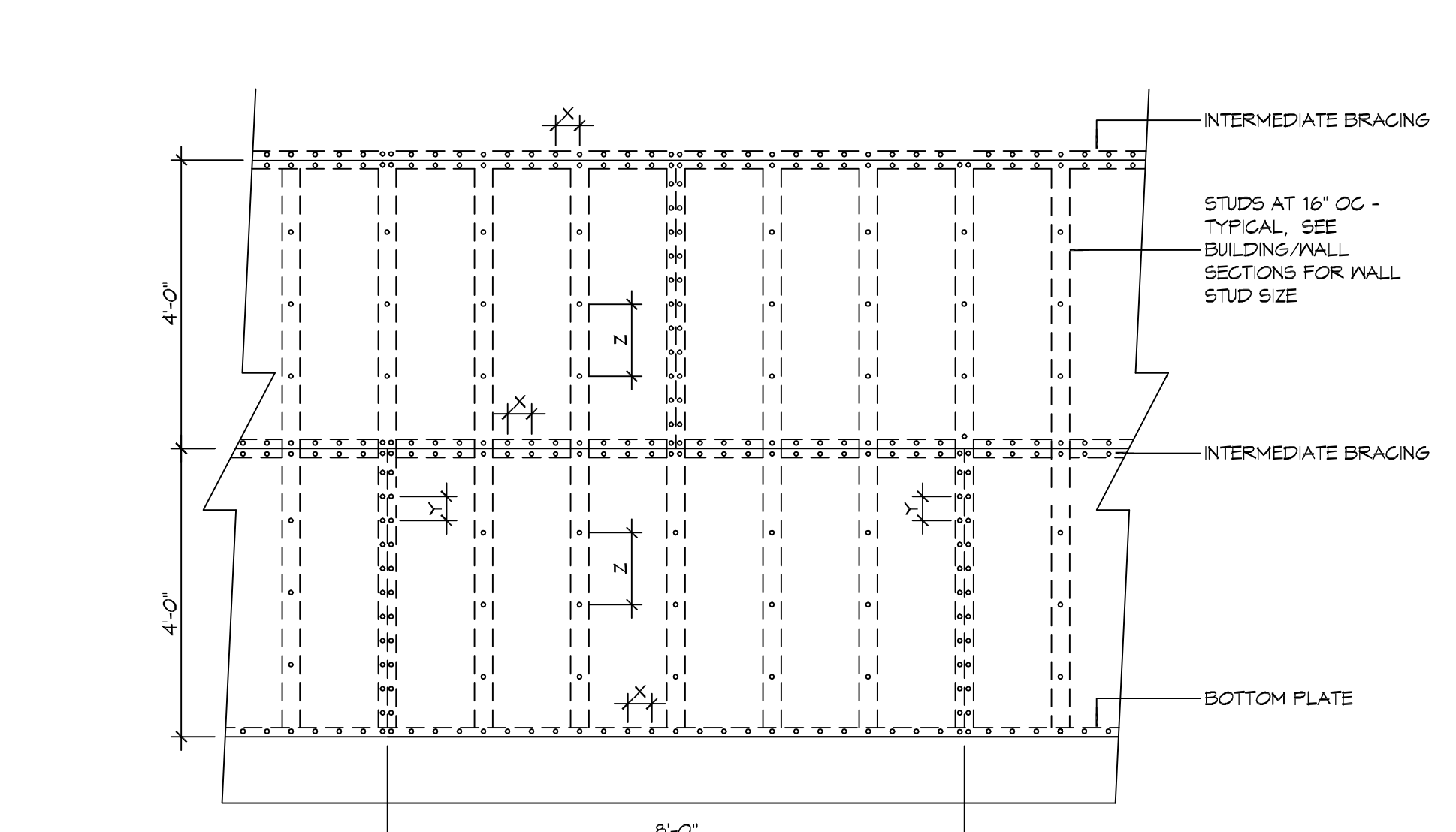
NOTE: A MINIMUM OF ONE ANCHOR BOLT SHALL BE PROVIDED WITHIN 6 TO 12 INCHES OF EACH END OF EACH PLATE

TABLE S107.9 - SILL OR BOTTOM PLATE TO FOUNDATION CONNECTIONS RESISTING SHEAR LOADS - 143 MPH WIND EXP "C"

BOTTOM PLATE TO FOUNDATION ANCHOR BOLT CONNECTION RESISTING	FOUNDATION SUPPORTING	MAXIMUM ANCHOR BOLT SPACING (INCHES)	
		5/8" Ø ANCHOR BOLTS	48 INCHES ON CENTER W/3/8"x1/4" WASHER
UPLIFT LOADS	4 STORY		

TABLE S107.10 - FULL HEIGHT STUD REQUIREMENT FOR HEADERS OR WINDOW SILL PLATES IN EXTERIOR WALLS EXPOSURE "C"

HEADER SPAN (FEET)	WALL SPACING (INCHES)		
	12" O.C.	16" O.C.	24" O.C.
2	1	1	1
4	2	2	1
6	3	3	2
8	4	3	2

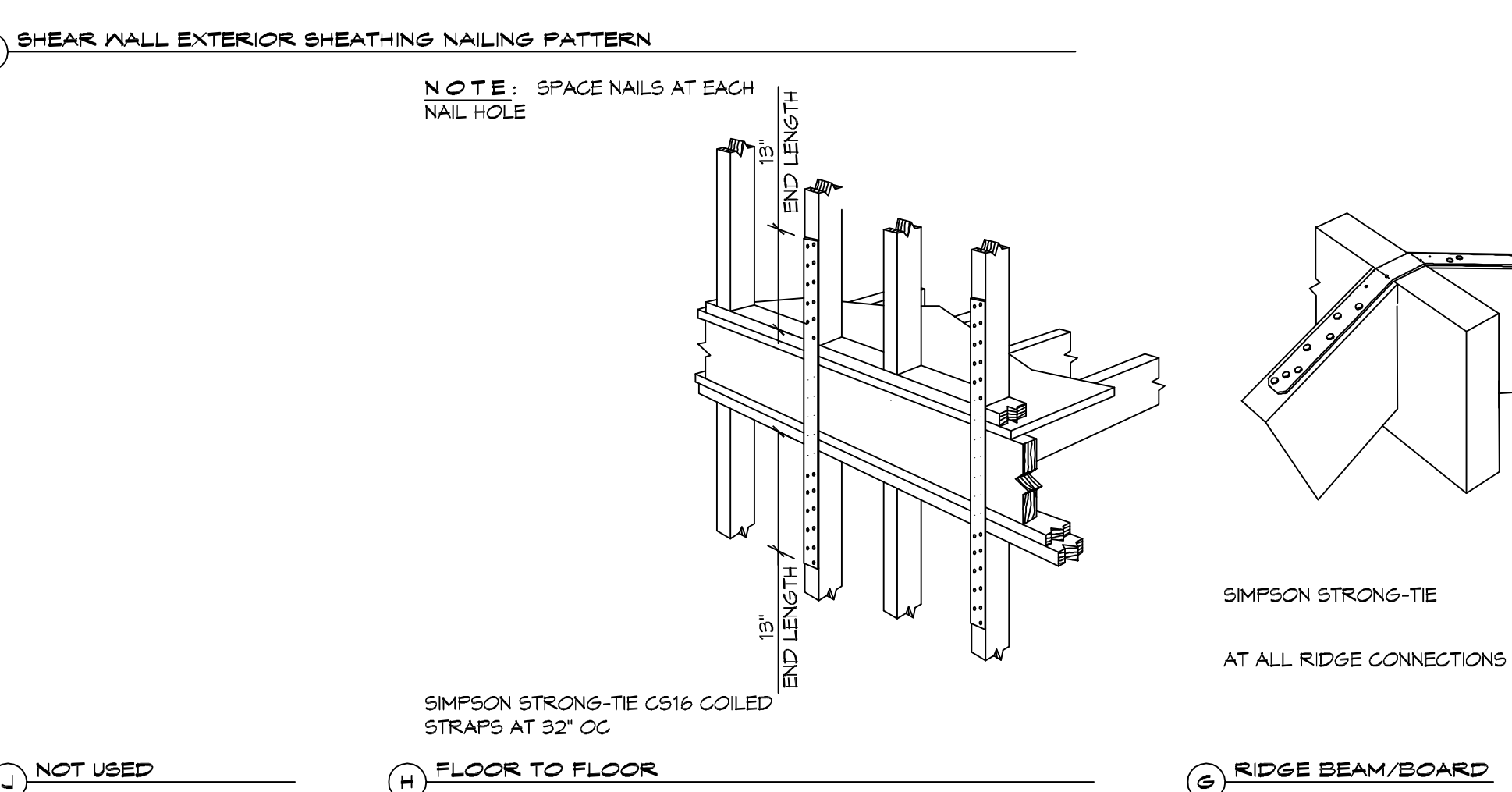


NAIL SPACING
 X = 4" OC
 Y = 4" OC
 Z = 12" OC

X = PLATE EDGE NAIL SPACING
 Y = LONG EDGE NAIL SPACING
 Z = FIELD NAIL SPACING

INTERIOR SHEATHING
 1/2" PLYWOOD EACH FACE STAGGERED 48" OC. W/8d NAILS @ 4" O.C. FASTENING @ PANEL EDGES @ 12" O.C. FASTENING @ INTERMEDIATE MEMBERS.

EXTERIOR SHEATHING
 5/8" DENSGLASS SHEATHING EXTERIOR FACE STAGGERED 48" O.C. FASTENING @ PANEL EDGES @ 10x1" TEK SCREWS @ 12" O.C. FASTENING @ INTERMEDIATE MEMBERS.



TYPICAL CONNECTION DETAILS

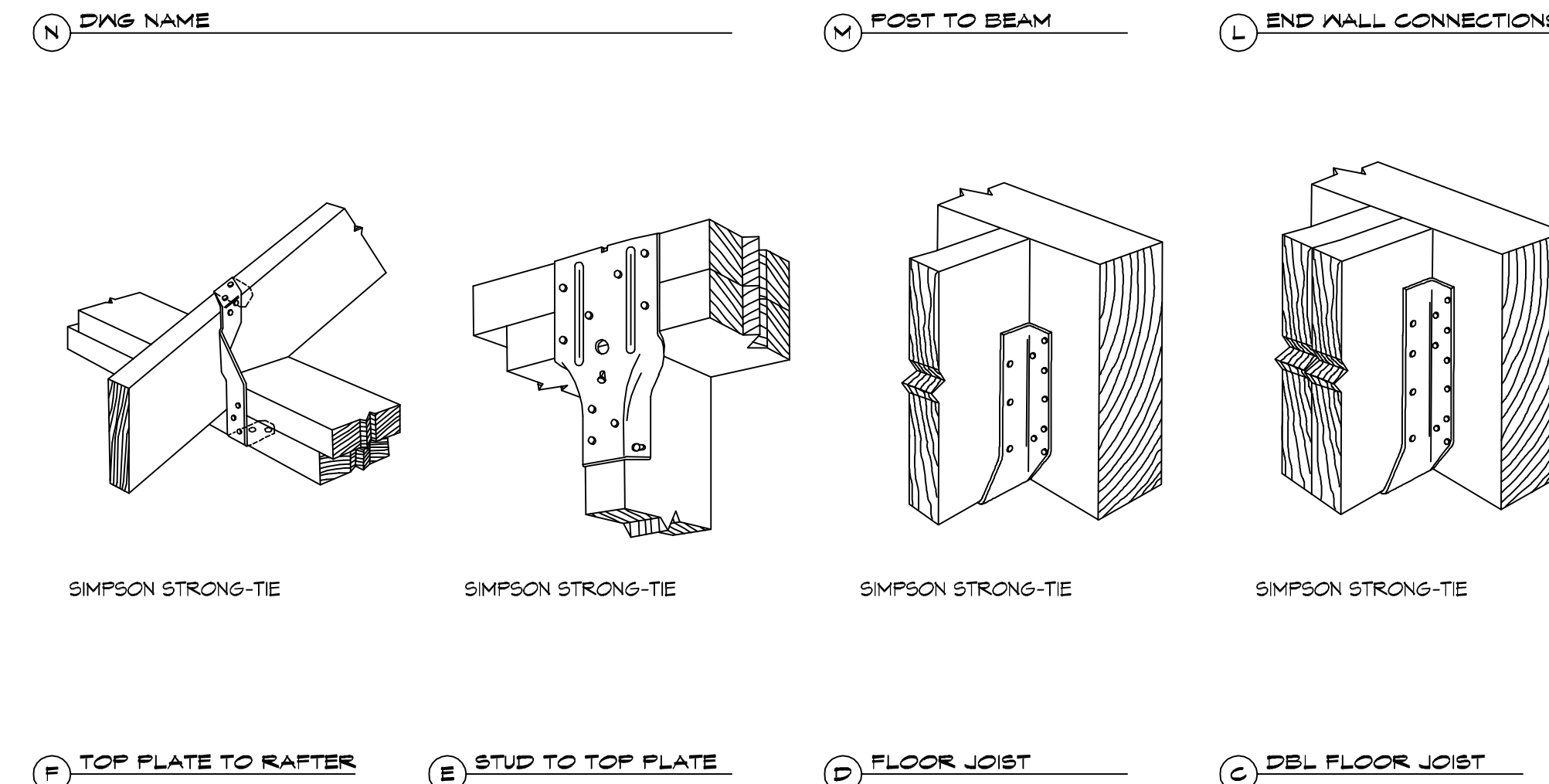
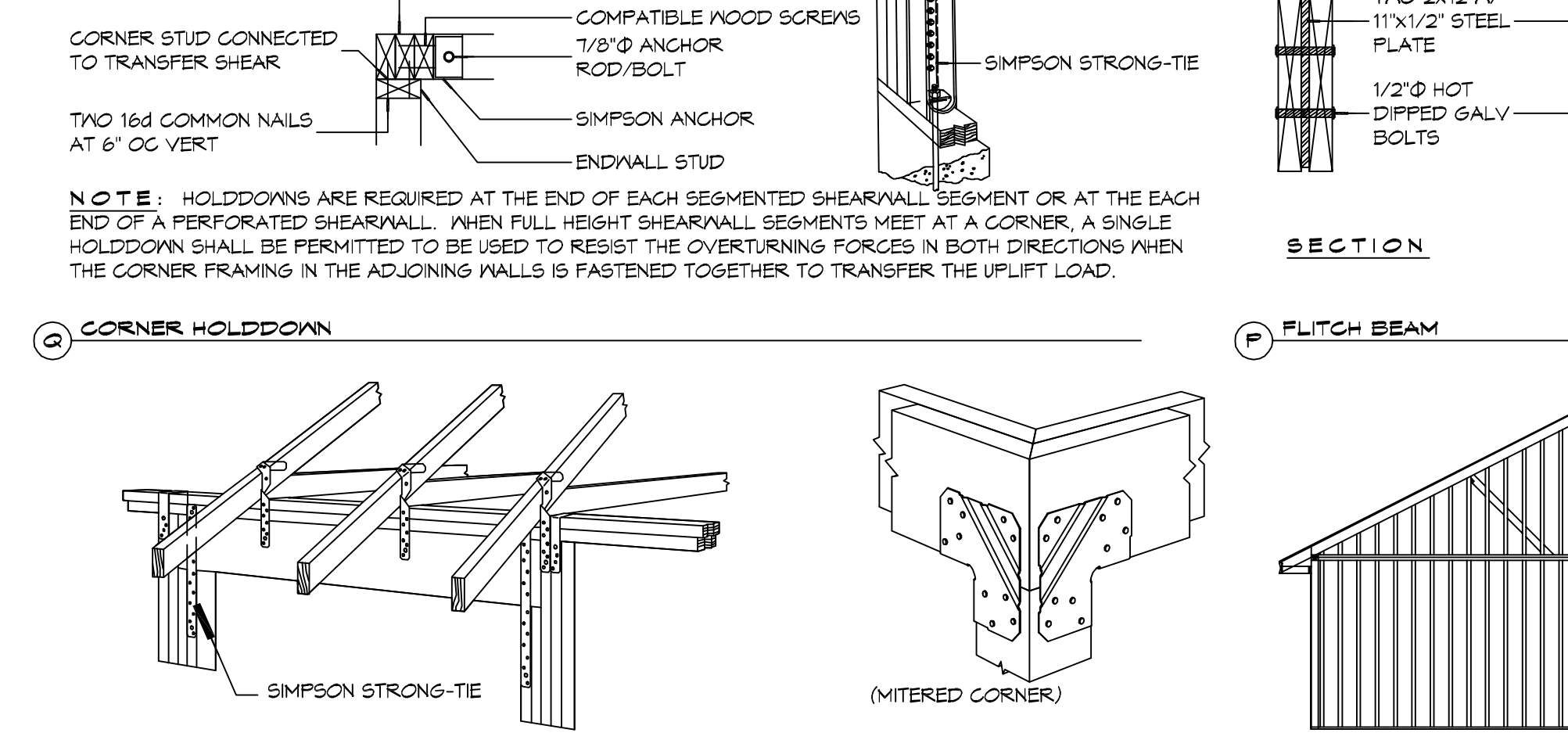
TABLE S107.5 - JACK STUD REQ - INT LOADBEARING WALLS

HEADER SUPPORTING	HEADER SPAN (FT)	ROOF SPAN (FEET)											
		12 FEET				24 FEET				36 FEET			
		3"	4.5"	5"	6.5"	3"	4.5"	5"	6.5"	3"	4.5"	5"	6"
ONE FLOOR ONLY (CENTER BEARING)	2	1	1	1	1	1	1	1	1	1	1	1	1
	4	1	1	1	1	1	1	1	1	1	1	1	1
	6	1	1	1	1	1	1	1	1	2	1	1	1
	8	1	1	1	1	2	1	1	1	2	2	2	1
	10	1	1	1	1	2	2	1	1	3	2	2	2
	12	1	1	1	1	2	2	2	1	3	2	2	2
	14	2	1	1	1	3	2	2	2	4	3	3	2
	16	2	2	1	1	3	2	2	2	4	3	3	2
	2	1	1	1	1	1	1	1	1	2	1	1	1
	4	1	1	1	1	2	1	1	1	3	2	2	2
TWO FLOORS (CENTER BEARING)	6	2	1	1	1	3	2	2	2	4	3	2	2
	8	2	2	1	1	3	2	2	2	5	3	3	3
	10	2	2	2	1	4	3	3	2	6	4	4	3
	12	3	2	2	2	5	3	3	3	7	5	4	4
	14	3	2	2	2	6	4	4	3	8	5	5	4
	16	4	3	2	2	6	4	4	3	9	6	6	5

TABLE S107.6 - JACK STUD REQ - EXTERIOR LOADBEARING WALLS

	ROOF LIVE LOAD 20 PSF				ROOF LIVE LOAD 30 PSF				
	3"	4.5"	5"	6.5"	3"	4.5"	5"	6.5"	
	NUMBER OF JACK STUDS REQUIRED								
ROOF AND CEILING	2	1	1	1	1	1	1	1	
	4	1	1	1	1	1	1	1	
	6	2	1	1	1	2	1	1	
	8	2	2	2	1	2	2	1	
	10	3	2	2	2	3	2	2	
	12	3	2	2	2	3	2	2	
	14	4	3	2	2	4	3	2	
	16	4	3	3	2	4	3	2	
	ROOF, CEILING, AND ONE CENTER BEARING FLOOR	2	1	1	1	1	1	1	1
		4	2	1	1	1	2	1	1
6		2	2	2	1	3	2	2	
8		3	2	2	2	3	2	2	
10		4	3	2	2	4	3	2	
12		4	3	3	2	5	3	3	
14		5	4	3	3	5	4	3	
16		6	4	4	3	6	4	3	

HEADER WIDTH - 3" (2-2x), 4.5" (3-2x), 5", 6.5" (4-2x) EACH W/ 1/2" PLYWOOD SPACER BETWEEN



TYPICAL CONNECTION DETAILS

TABLE S107.3 - NAILING SCHEDULE WFCM 2015 TABLE 3.1

DESCRIPTION	NUMBER OF COMMON NAILS	NUMBER OF BOX NAILS	SPACING
HEADER TO HEADER (FACE NAILED)	16d	16d	16" OC EDGES

TABLE S107.4 - BUILDING ENVELOPE REQUIREMENTS

ROOFS	OPAQUE ELEMENTS		INSULATION MIN. R-VALUE
	INSULATION ENTIRELY ABOVE DECK	ASSEMBLY MAXIMUM	
METAL BUILDING	U-0.048	R-20.0 c.i.	
	U-0.065	R-19	
	U-0.027	R-38	
ATTIC AND OTHER	U-0.151	R-5.7 c.i.	
	U-0.113	R-13.0	
WALLS, ABOVE GRADE	U-0.124	R-13.0	
	U-0.084	R-13.0	
	U-0.107	R6-3 c.i.	
FLOORS	U-0.052	R-11.0	
	U-0.051	R-11.0	
	U-0.130	NR	
SLAB-ON-GRADE	U-0.100	NR	
	U-1.450	NR	

ROOF UNDERLAYMENT NOTES

1. FOR ROOF SLOPES FROM TWO UNITS VERTICAL IN 12 UNITS HORIZONTAL (17-PERCENT SLOPE), UP TO FOUR UNITS VERTICAL IN 12 UNITS HORIZONTAL (33-PERCENT SLOPE), UNDERLAYMENT SHALL BE TWO LAYERS APPLIED IN THE FOLLOWING MANNER:
 a. APPLY A 19 INCH STRIP OF UNDERLAYMENT FELT PARALLEL WITH AND STARTING AT THE EAVES, FASTENED SUFFICIENTLY TO HOLD IN PLACE.
 b. STARTING AT THE EAVE, APPLY 36 INCH WIDE SHEETS OF UNDERLAYMENT, OVERLAPPING SUCCESSIVE SHEETS 19 INCHES, AND FASTENED SUFFICIENTLY TO HOLD IN PLACE.

2. FOR ROOF SLOPES OF FOUR UNITS VERTICAL IN 12 UNITS HORIZONTAL (33-PERCENT SLOPE) OR GREATER, UNDERLAYMENT SHALL BE ONE LAYER APPLIED IN THE FOLLOWING MANNER:
 a. UNDERLAYMENT SHALL BE APPLIED SINGLE FASHION, PARALLEL TO AND STARTING FROM THE EAVE AND LAPPED 2 INCHES, FASTENED SUFFICIENTLY TO HOLD IN PLACE. END LAPS SHALL BE OFFSET BY 6 FEET.

ROOF APPLICATION & FASTENING NOTES

1. INSTALL ROOF PER MANUFACTURERS RECOMMENDATIONS FOR 130MPH WIND SPEED.

GENERAL UPLIFT CONNECTION NOTES

ROOF ASSEMBLY TO WALL ASSEMBLY:
 UPLIFT CONNECTIONS SHALL BE FROM RAFTER OR TRUSS TO WALL STUD. WHEN RAFTERS OR TRUSSES ARE NOT LOCATED DIRECTLY ABOVE STUDS, RAFTERS SHALL BE ATTACHED TO THE WALL PLATE AND THE WALL TOP PLATE SHALL BE ATTACHED TO THE WALL STUD WITH UPLIFT CONNECTIONS.

WALL ASSEMBLY TO WALL ASSEMBLY:
 STORY TO STORY UPLIFT CONNECTIONS FROM UPPER STORY WALL STUD TO LOWER STORY WALL STUD. WHEN UPPER STORY WALL STUDS ARE NOT LOCATED DIRECTLY ABOVE LOWER WALL STUDS, THE STUDS SHALL BE ATTACHED TO A COMMON MEMBER IN THE FLOOR ASSEMBLY BY UPLIFT CONNECTIONS.

WALL ASSEMBLY TO FOUNDATION:
 FIRST FLOOR WALL STUDS SHALL BE CONNECTED TO THE FOUNDATION, SILL PLATE, OR BOTTOM PLATE. A MINIMUM OF A 1-1/4" x 20 GA. ASTM A653 GRADE 33 STEEL STRAP SHALL BE NAILED TO THE WALL STUDS AND HAVE A MINIMUM EMBEDMENT OF 1 INCHES IN CONCRETE FOUNDATIONS AND SLABS-ON-GRADE, 15 INCHES IN MASONRY BLOCK FOUNDATIONS, OR BE LAPPED UNDER THE BOTTOM PLATE. 3 INCH SQUARE WASHERS SHALL BE USED ON THE ANCHOR BOLTS AND ANCHOR BOLT SPACINGS SHALL NOT EXCEED THE REQUIREMENTS. STEEL STRAPS EMBEDDED IN OR IN CONTACT WITH SLAB-ON-GRADE OR MASONRY BLOCK FOUNDATIONS SHALL BE HOT-DIPPED GALV. AFTER FABRICATION, OR MANUF. FROM G185 OR Z450 GALV. STL.

TABLE S107.1 - ROOF SHEATHING OR CLADDING REQUIREMENT - WIND LOAD EXP "C"

SHEATHING LOCATION	RAFTER / TRUSS SPACING	MAX. NAIL SPACING FOR 8d COMMON NAILS OR 10d BOX NAILS (INCHES OC)	
		E	F
INTERIOR ZONE	12" OC	6	12
	16" OC	6	12
	24" OC	6	6
PERIMETER EDGE ZONE	12" OC	6	6
	16" OC	4	4
	24" OC	3	3

130 MPH WIND - EXPOSURE "C" TYPICAL
 E = NAIL SPACING AT PANEL EDGES, INCHES.
 F = NAIL SPACING AT INTERMEDIATE SUPPORTS IN THE PANEL FIELD, INCHES.

DAMMON ENGINEERING, INC.
 LOUISIANA & MISSISSIPPI

Chief Engineer: Brian Mutsch, PE
 554 Old Spanish Trail
 Slidell, LA 70498
 www.dammonengineering.com
 info@dammonengineering.com
 PH: 985.646.5832

DATE: _____
 REVISIONS: _____
 # DESCRIPTION: _____
 SEAL: _____

NEA FURNISH HOME
BOYER FAMILIOME

4800 DOWNMAN ROAD
 NEW ORLEANS, LA
 JOB No: _____ DATE: 10-10-2015
 2896
 DRAWN BY: DD/KLK CHECKED BY: BAY

SHEET TITLE:
 TYPICAL CONNECTION
 DETAILS, SCHEDULES, AND
 NOTES

DRAWING NUMBER:
S102

SHEET No: 7 of # 23