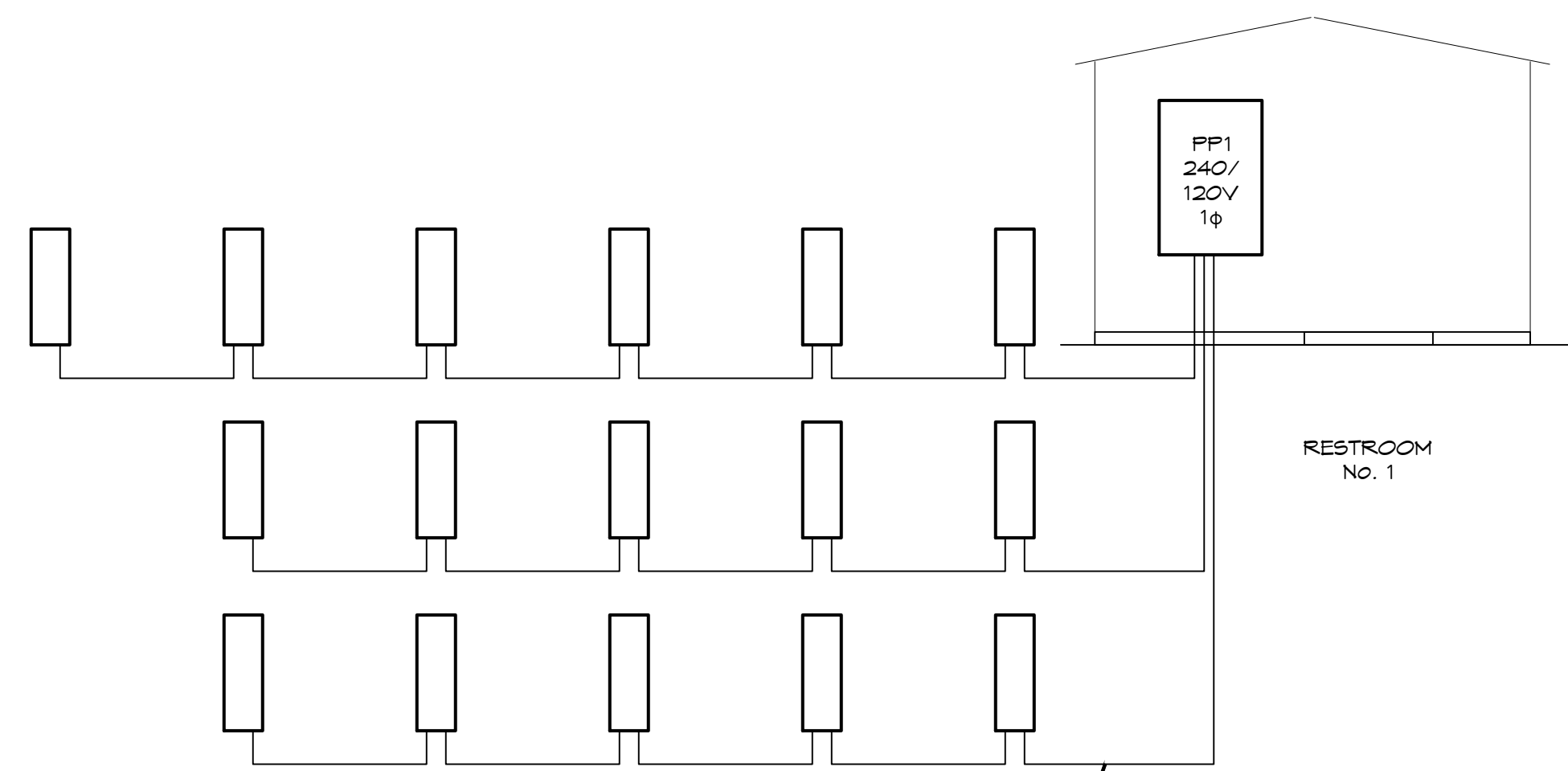
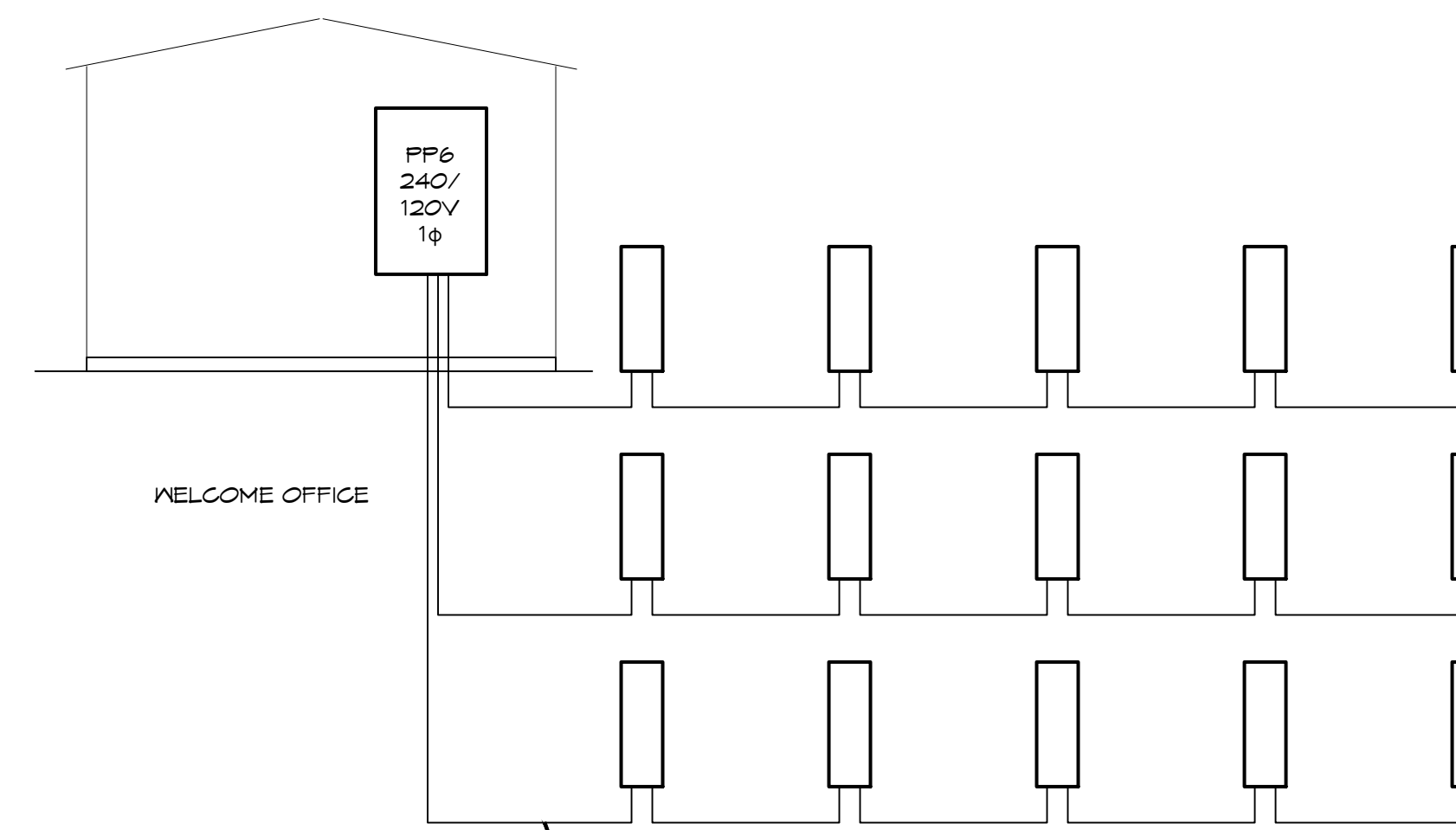


ELECTRICAL LOAD SUMMARY TRANSFORMER 1					
POWER COMPANY:	COAST ELECTRIC				
PROJECT NAME:	EXT 1 RV RESORT				
PROJECT ADDRESS:	CLYDE METZIER				
CITY TOWN:	NICHOLSON, MISSISSIPPI				
INTENDED USER:	RV PARK				
REQUIRED SERVICE:	240/120 VOLTS	1 PHASE	3 WIRE		
SERV ENTR SIZE:	400 AMPS				
HVAC TONNAGE:	TONS				
LARGEST MOTOR:	HP				
LOAD SOURCE	1ØKVA	3ØKVA	OR	1ØKN	3ØKN
BUILDING LIGHTING	1,360.0				
ELECTRIC WATER HEATING	10,000.0				
HEAT PUMPS					
SUPPLEMENTAL HEAT SYSTEMS					
AIR COND CONDENSING UNITS					
ELEC HEATING (PRIMARY) AHUS					
COOKING					
REFRIGERATION					
RECEPTACLES (STANDARD)	1,080.0				
RECEPTACLES (COMPUTER)					
TOTAL MOTORS (EXCLUDE HVAC)					
EXTERIOR LIGHTING	500.0				
MISCELLANEOUS - CEILING FANS	6,500.0				
OTHER - 16 RV SITES	153,600.0				
TOTAL CONNECTED LOAD	175,040.0				



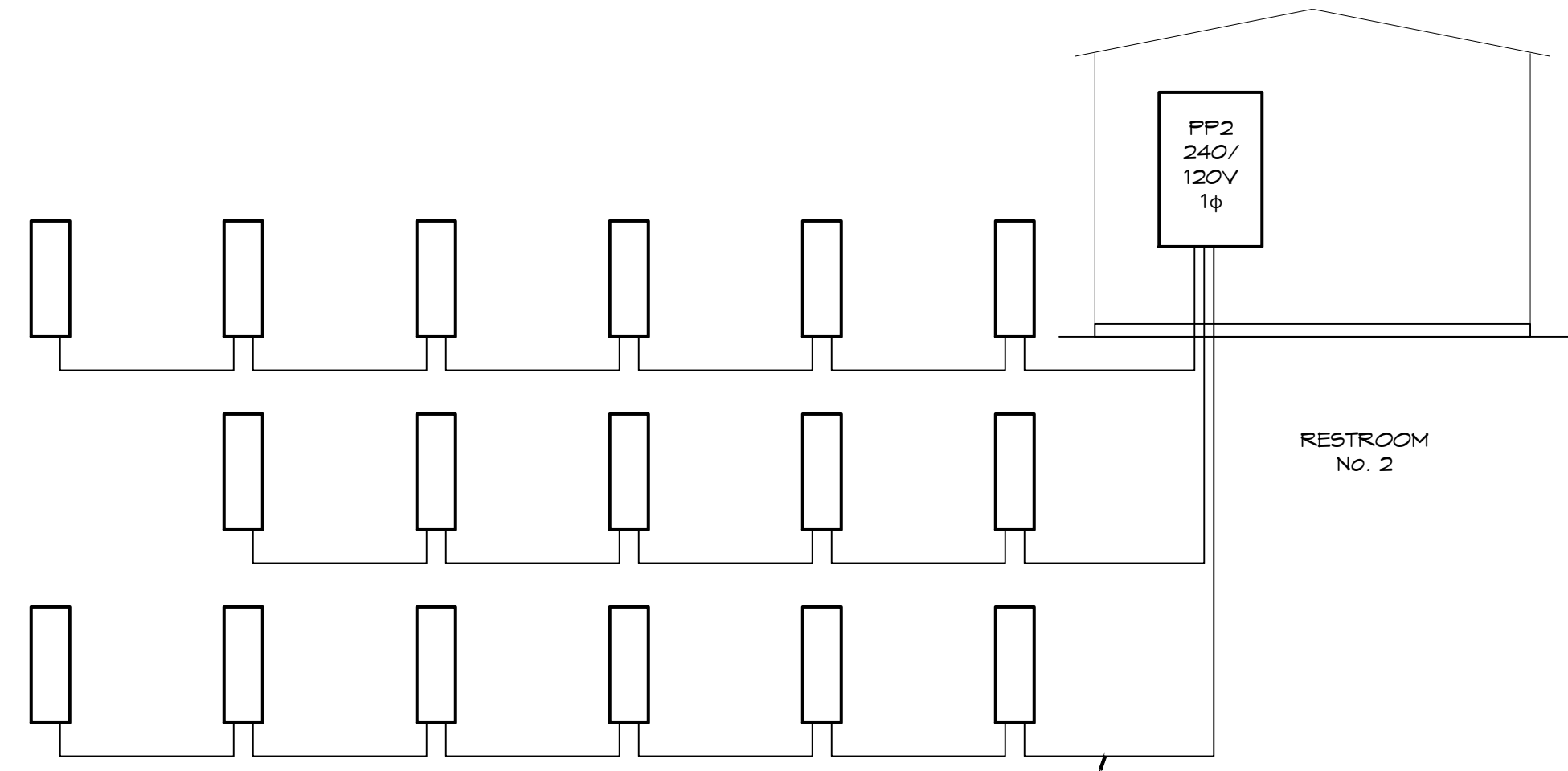
200A FEEDER, 240/120V, 1 PHASE, 3 WIRE
3/C, 350 KCM WITH # 3 GND, DIRECT
BURIAL MULTI-CONDUCTOR CABLE



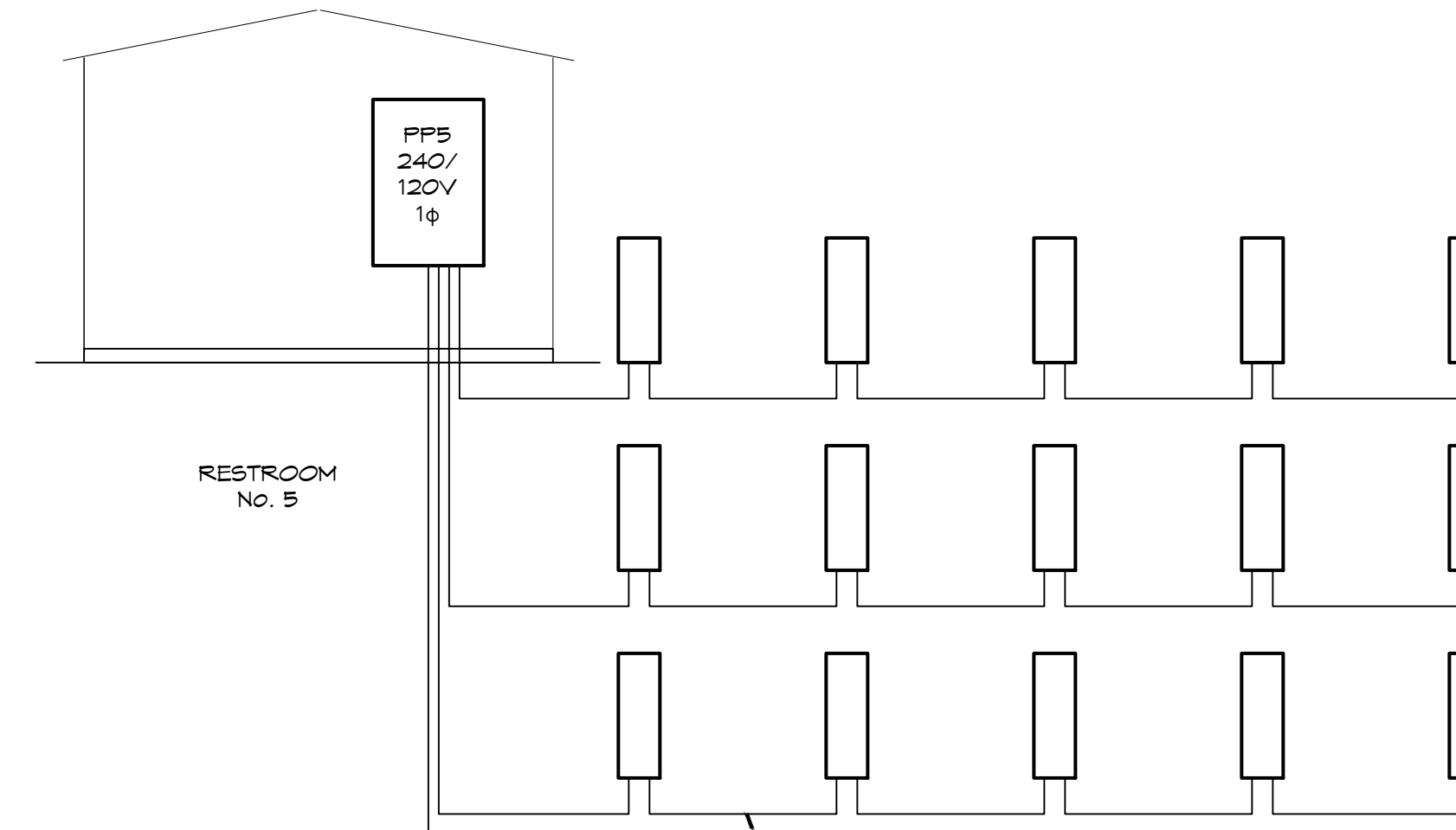
200A FEEDER, 240/120V, 1 PHASE, 3 WIRE
3/C, 350 KCM WITH # 3 GND, DIRECT
BURIAL MULTI-CONDUCTOR CABLE

ELECTRICAL LOAD SUMMARY TRANSFORMER 6					
POWER COMPANY:	COAST ELECTRIC				
PROJECT NAME:	EXT 1 RV RESORT				
PROJECT ADDRESS:	CLYDE METZIER				
CITY TOWN:	NICHOLSON, MISSISSIPPI				
INTENDED USER:	RV PARK				
REQUIRED SERVICE:	240/120 VOLTS	1 PHASE	3 WIRE		
SERV ENTR SIZE:	400 AMPS				
HVAC TONNAGE:	TONS				
LARGEST MOTOR:	HP				
LOAD SOURCE	1ØKVA	3ØKVA	OR	1ØKN	3ØKN
BUILDING LIGHTING	1,500.0				
ELECTRIC WATER HEATING	5,000.0				
HEAT PUMPS					
SUPPLEMENTAL HEAT SYSTEMS					
AIR COND CONDENSING UNITS	2,000.0				
ELEC HEATING (PRIMARY) AHUS	3,600.0				
COOKING					
REFRIGERATION	3,600.0				
RECEPTACLES (STANDARD)	7,180.0				
RECEPTACLES (COMPUTER)					
TOTAL MOTORS (EXCLUDE HVAC)					
EXTERIOR LIGHTING	500.0				
MISCELLANEOUS - CEILING FANS					
OTHER - 15 RV SITES	144,000.0				
TOTAL CONNECTED LOAD	167,980.0				

ELECTRICAL LOAD SUMMARY TRANSFORMER 2					
POWER COMPANY:	COAST ELECTRIC				
PROJECT NAME:	EXT 1 RV RESORT				
PROJECT ADDRESS:	CLYDE METZIER				
CITY TOWN:	NICHOLSON, MISSISSIPPI				
INTENDED USER:	RV PARK				
REQUIRED SERVICE:	240/120 VOLTS	1 PHASE	3 WIRE		
SERV ENTR SIZE:	400 AMPS				
HVAC TONNAGE:	TONS				
LARGEST MOTOR:	HP				
LOAD SOURCE	1ØKVA	3ØKVA	OR	1ØKN	3ØKN
BUILDING LIGHTING	1,360.0				
ELECTRIC WATER HEATING	10,000.0				
HEAT PUMPS					
SUPPLEMENTAL HEAT SYSTEMS					
AIR COND CONDENSING UNITS					
ELEC HEATING (PRIMARY) AHUS					
COOKING					
REFRIGERATION					
RECEPTACLES (STANDARD)	1,080.0				
RECEPTACLES (COMPUTER)					
TOTAL MOTORS (EXCLUDE HVAC)					
EXTERIOR LIGHTING	500.0				
MISCELLANEOUS - CEILING FANS	6,500.0				
OTHER - 11 RV SITES	163,200.0				
TOTAL CONNECTED LOAD	182,640.0				



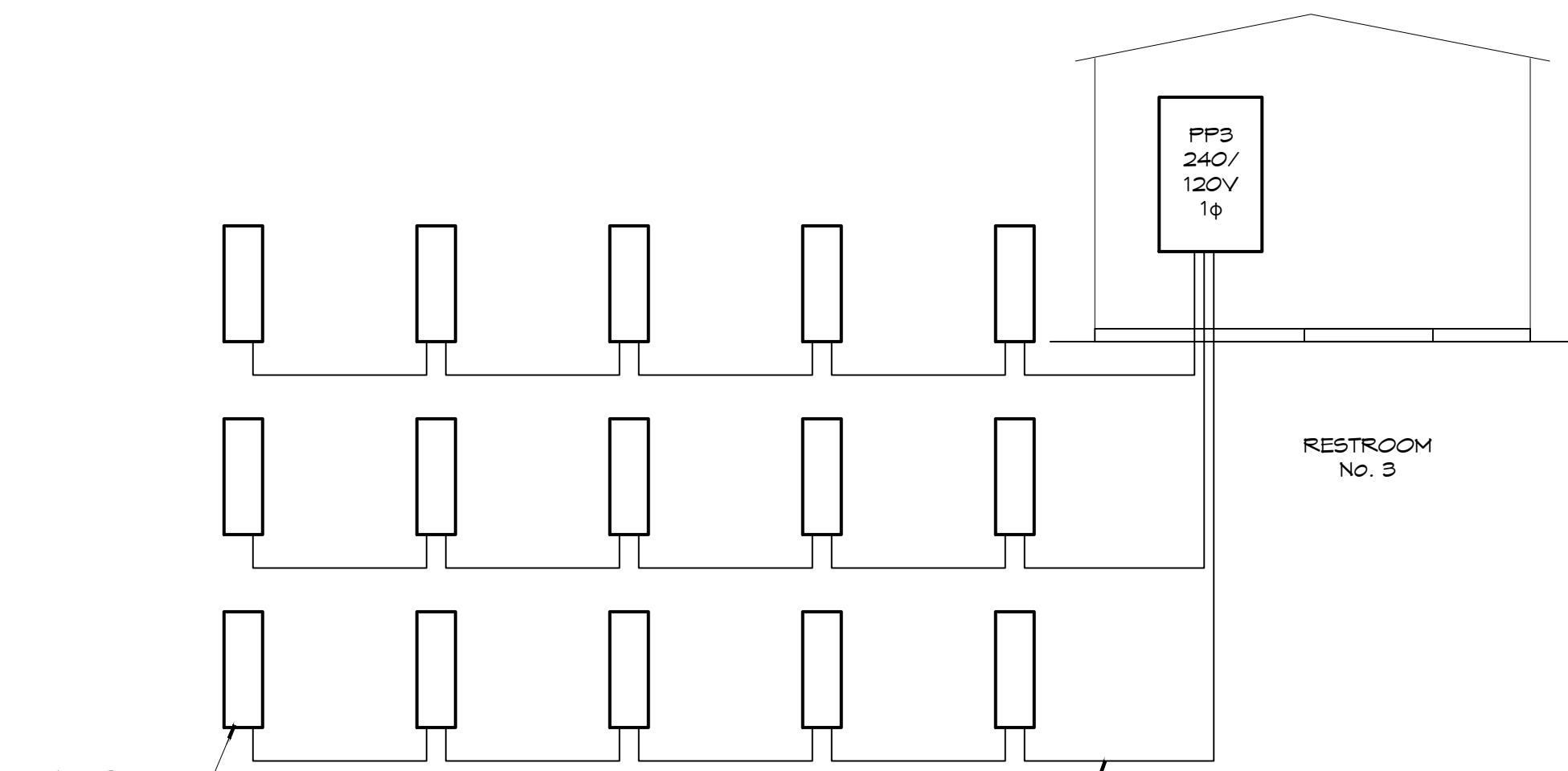
200A FEEDER, 240/120V, 1 PHASE, 3 WIRE
3/C, 350 KCM WITH # 3 GND, DIRECT
BURIAL MULTI-CONDUCTOR CABLE



1" C, 2-6 AWG, 1-10 AWG GND
LIFT STATION

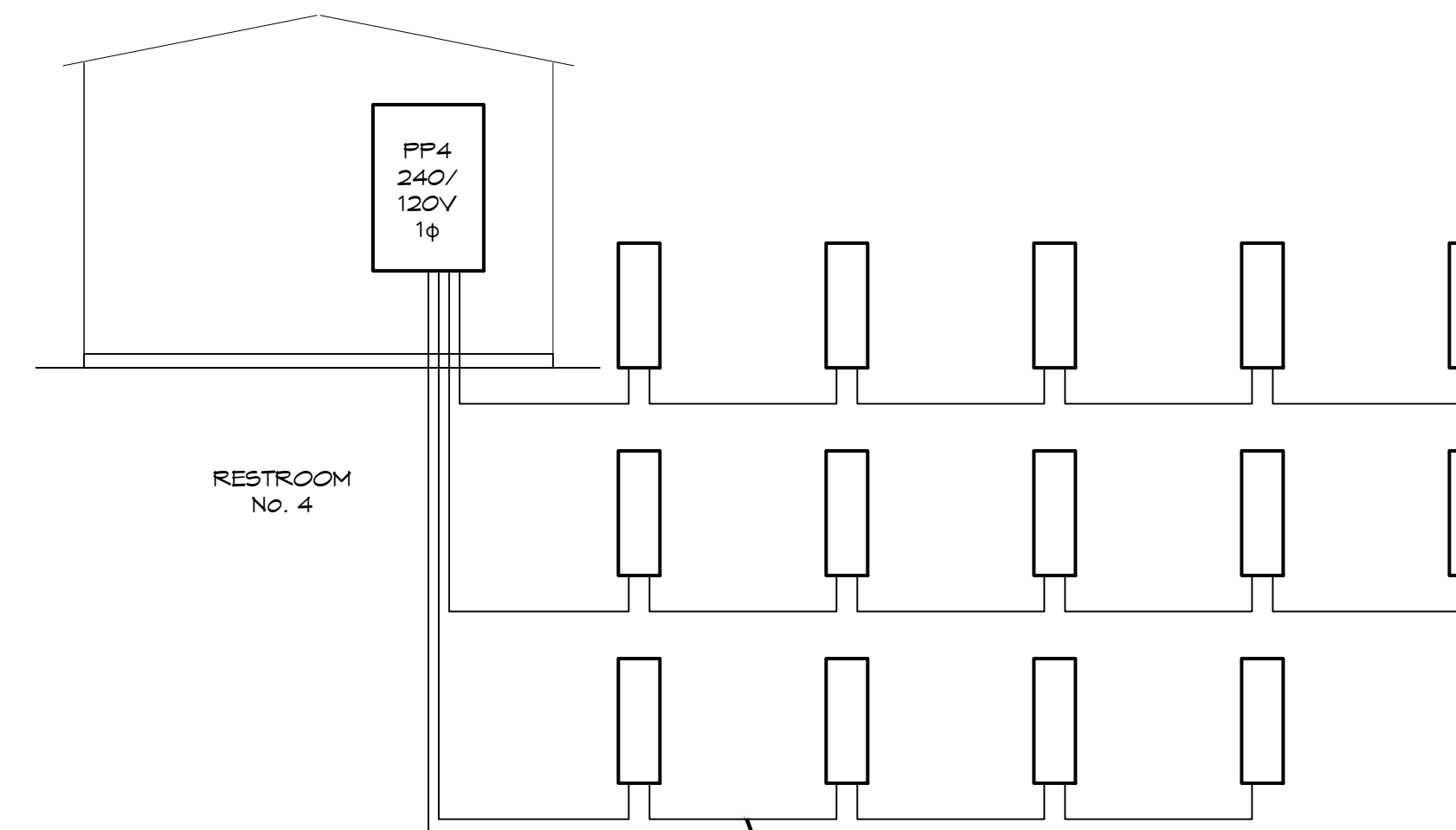
ELECTRICAL LOAD SUMMARY TRANSFORMER 5					
POWER COMPANY:	COAST ELECTRIC				
PROJECT NAME:	EXT 1 RV RESORT				
PROJECT ADDRESS:	CLYDE METZIER				
CITY TOWN:	NICHOLSON, MISSISSIPPI				
INTENDED USER:	RV PARK				
REQUIRED SERVICE:	240/120 VOLTS	1 PHASE	3 WIRE		
SERV ENTR SIZE:	400 AMPS				
HVAC TONNAGE:	TONS				
LARGEST MOTOR:	2 HP				
LOAD SOURCE	1ØKVA	3ØKVA	OR	1ØKN	3ØKN
BUILDING LIGHTING	1,360.0				
ELECTRIC WATER HEATING	10,000.0				
HEAT PUMPS					
SUPPLEMENTAL HEAT SYSTEMS					
AIR COND CONDENSING UNITS					
ELEC HEATING (PRIMARY) AHUS					
COOKING					
REFRIGERATION					
RECEPTACLES (STANDARD)	1,080.0				
RECEPTACLES (COMPUTER)					
TOTAL MOTORS (EXCLUDE HVAC)	6,600.0				
EXTERIOR LIGHTING	500.0				
MISCELLANEOUS - CEILING FANS	6,500.0				
OTHER - 15 RV SITES	144,000.0				
TOTAL CONNECTED LOAD	170,040.0				

ELECTRICAL LOAD SUMMARY TRANSFORMER 3					
POWER COMPANY:	COAST ELECTRIC				
PROJECT NAME:	EXT 1 RV RESORT				
PROJECT ADDRESS:	CLYDE METZIER				
CITY TOWN:	NICHOLSON, MISSISSIPPI				
INTENDED USER:	RV PARK				
REQUIRED SERVICE:	240/120 VOLTS	1 PHASE	3 WIRE		
SERV ENTR SIZE:	400 AMPS				
HVAC TONNAGE:	TONS				
LARGEST MOTOR:	HP				
LOAD SOURCE	1ØKVA	3ØKVA	OR	1ØKN	3ØKN
BUILDING LIGHTING	1,360.0				
ELECTRIC WATER HEATING	10,000.0				
HEAT PUMPS					
SUPPLEMENTAL HEAT SYSTEMS					
AIR COND CONDENSING UNITS					
ELEC HEATING (PRIMARY) AHUS					
COOKING					
REFRIGERATION					
RECEPTACLES (STANDARD)	1,080.0				
RECEPTACLES (COMPUTER)					
TOTAL MOTORS (EXCLUDE HVAC)					
EXTERIOR LIGHTING	500.0				
MISCELLANEOUS - CEILING FANS	6,500.0				
OTHER - 15 RV SITES	144,000.0				
TOTAL CONNECTED LOAD	163,440.0				



RV PEDISTAL,
(TYPICAL FOR 42)

200A FEEDER, 240/120V, 1 PHASE, 3 WIRE
3/C, 350 KCM WITH # 3 GND, DIRECT
BURIAL MULTI-CONDUCTOR CABLE



BEFORE ROUTING FEEDER TO WATER WELL, VERIFY
EQUIPMENT AND SIZE CIRCUIT ACCORDINGLY.
WELL SHED

ELECTRICAL LOAD SUMMARY TRANSFORMER 4					
POWER COMPANY:	COAST ELECTRIC				
PROJECT NAME:	EXT 1 RV RESORT				
PROJECT ADDRESS:	CLYDE METZIER				
CITY TOWN:	NICHOLSON, MISSISSIPPI				
INTENDED USER:	RV PARK				
REQUIRED SERVICE:	240/120 VOLTS	1 PHASE	3 WIRE		
SERV ENTR SIZE:	400 AMPS				
HVAC TONNAGE:	TONS				
LARGEST MOTOR:	2 HP				
LOAD SOURCE	1ØKVA	3ØKVA	OR	1ØKN	3ØKN
BUILDING LIGHTING	1,360.0				
ELECTRIC WATER HEATING	10,000.0				
HEAT PUMPS					
SUPPLEMENTAL HEAT SYSTEMS					
AIR COND CONDENSING UNITS					
ELEC HEATING (PRIMARY) AHUS					
COOKING					
REFRIGERATION					
RECEPTACLES (STANDARD)	1,080.0				
RECEPTACLES (COMPUTER)					
TOTAL MOTORS (EXCLUDE HVAC)	6,600.0				
EXTERIOR LIGHTING	500.0				
MISCELLANEOUS - CEILING FANS	6,500.0				
OTHER - 14 RV SITES	134,400.0				
TOTAL CONNECTED LOAD	160,440.0				

RISER DIAGRAM
SCALE: NTS

DAMMON
ENGINEERING, INC.
LOUISIANA & MISSISSIPPI
Chief Engineer: Brian Metzler, PE
554 Old Spanish Trail
Slidell, LA 70458
www.dammonengineering.com
info@dammonengineering.com
PH: 985.649.5832

DATE	REVISIONS
	# DESCRIPTION

SEAL:

NEW RECREATIONAL RV SITE
EXT 1 RV RESORT, LLC.
CLYDE METZIER ROAD
NICHOLSON MS MISSISSIPPI 39466
JOB No: 2436 DATE: 05-21-2022
DRAWN BY: DD/JTL CHECKED BY: BAW

SHEET TITLE:
LOAD SUMMARIES
DRAWING NUMBER:
E103