



DAMMON
ENGINEERING, INC.

554 Old Spanish Trail
Slidell, LA 70458
Phone: 985-649-5832

dammonengineering.com
info@dammonengineering.com

5/27/2020

Mr. Eric Brown
Louisiana Department of Health
42354 Club Deluxe Road
Suite 13
Hammond, LA 70403

Re: Country Club Mobile Home Park (CCMHP)
Pump Station Rehabilitation and Reconnection to Resolve Wastewater Treatment Facilities
St. Tammany Parish

Mr. Brown,

This project is a rehabilitation of an existing pump station. The current wastewater pumps at the Country Club Mobile Home Park lift station shall be removed and replaced with two Barnes Model SGV3022L grinder pumps along with two slide rail systems. New electrical control panels float control switches, and appurtenances shall also be installed.

The proposed 3" HDPE force main line from the grinder pumps shall be located inside an existing 6" force main line (that is no longer in commission) and then connected to an active force main line that interconnects with the Whisperwood Wastewater Treatment Facility (DEQ WP1046, NPDES LA005351).

CCMHP shall abandon an existing 25,000 gpd Extended Air Wastewater Treatment Plant that is on the CCMHP property.

The treatment plant shall be slowly dewatered, sludge shall be removed by a licensed hauler, and remaining plant shall be dismantled and removed. All in accord with Department of Environmental Quality guidelines to insure environmental integrity and standards.

Should you have any questions, or if further information is required concerning this project, please feel free to contact me.

Respectfully,
Brian A. Mistich, P.E.

Permit Application

(Complete All Applicable Pages)

Project:	COUNTRY CLUB MOBILE HOME PARK		
Project Type:	SEWAGE SYSTEM		
Estimated Project Cost:	\$30000		
Engineer:	BRIAN A. MISTICH		
Telephone:	9852854564		
Parish:	ST TAMMANY	Nearest Town:	SLIDELL
Population Served:	250		
New System? <input type="checkbox"/>		Existing System? <input checked="" type="checkbox"/>	
Project to be Owned and Operated By: <small>(include name and address)</small>	MR. FRANK MANGANO Mangano Properties, LLC 609 Brownsitch Rd, Slidell, LA 70458		
Proposed Project Will Connect to: <small>(name of water and/or sewer system)</small>	Whisperwood WWTP Resolve Systems Inc 460 Brownsitch Rd, Slidell, LA 70458		

5/28/2020

SEWER COLLECTION SYSTEM

Project:	COUNTRY CLUB MOBILE HOME PARK			
Engineer:	BRIAN A MISTICH			
General Scope of Project:	PUMP STATION REHABILITATION & RECONNECTION			
GRAVITY PIPING	Material (specify ASTM standard and standard dimension ratio-SDR)	n/a		
	Size (8 inch minimum diameter)	n/a		
	Joints and Materials of Fitting:	n/a		
FORCE MAINS	Material (specify ASTM standard and standard dimension ration-SDR)	SDR 13.5 HDPE 4710 ASTM 3350		
	Size (3 inch minimum diameter <u>without</u> grinder pumps; 1 ¼ minimum diameter <u>with</u> grinder pumps)	3"		
	Joints and Materials of Fitting:	Fusion Weld		
LAYOUT	Slope of Gravity Mains	n/a %Min.	n/a %Max.	n/a %Majority
	Location with Respect to Water Lines:	Maintain 18" Minimum Vertical Clearance @ Crossings?		<input checked="" type="checkbox"/> Yes <input type="checkbox"/> No
		Maintain 6' Minimum Horizontal Clearance?		<input checked="" type="checkbox"/> Yes <input type="checkbox"/> No
	Maximum Distance Between Manholes:	n/a		
	Number of Surface Water Crossings/Encounters:	n/a		
	Other Comments: (Manhole Construction, Highway Crossing, etc.)			
Deflection Testing? <input type="checkbox"/> Yes <input type="checkbox"/> No		Hydrostatic Testing? <input type="checkbox"/> Yes <input type="checkbox"/> No		
NAME OF CERTIFIED OPERATOR:	Frank Mangano			

LIFT STATION (S)

Project:	COUNTRY CLUB MOBILE HOME PARK			
Engineer:	BRIAN A. MISTICH			
General Scope of Project:	PUMP STATION REHABILITATION & RECONNECTION			
PUMPS	# per Station:	2		
	Type:	Grinder	Power: ELECTRIC	
	Capacity (GPM):	100	@ 38TDH(FT)	
	Pump Line Sizes and Type	Suction Line:	N/A	
		Discharge Line (3" min. diameter <u>without</u> grinder pumps; 1 1/4" min. diameter <u>with</u> grinder pumps):	2"	
		Common Line:	3	
	Max. Solids Passage (2 1/2" min.):	n/a		
Gate Valve on Suction? <input type="checkbox"/> Yes <input checked="" type="checkbox"/> No	Gate Valve and Check Valves on Discharge? <input checked="" type="checkbox"/> Yes <input type="checkbox"/> No			
WET WELL	Detention/Design flow (in minutes – 30 min maximum):	30		
	Pump Cycle Time:	5.2 min		
	Volume (low water to lead pump on):	520 gal		
	Material:	Concrete & Steel		
	Diameter:	6.5'		
	Bottom Elevation:	-14		
	Invert of Influent:	-6		
	Floor Slope:	yes		
	Access Cover Diameter:	yes locked		
Vented and Screened?			<input checked="" type="checkbox"/> Yes <input type="checkbox"/> No	
FORCE MAIN	Size (3 inch min. diameter <u>without</u> grinder pumps; 1 1/4 inch diameter <u>with</u> grinder pumps):	3		
	Material (specify standard and standard dimension ratio-SDR:	ASTM 3350 PE 4710 DR 13.5		
	Velocity (in fps – 2 fps minimum):	4.69		
Lift Station Cover Construction:	STEEL			
Alarm Systems:	Visual:	<input checked="" type="checkbox"/> Yes <input type="checkbox"/> No	Telemetry: <input type="checkbox"/> Yes <input checked="" type="checkbox"/> No	
	Audible:	<input type="checkbox"/> Yes <input checked="" type="checkbox"/> No		

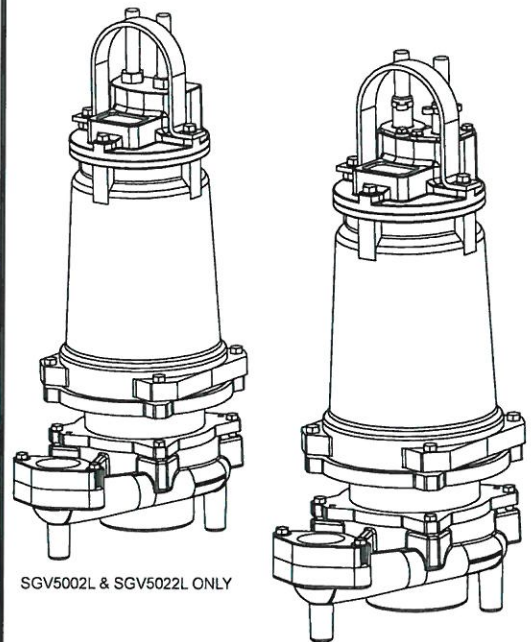
Submersible Grinder Pumps

Specifications:

DISCHARGE	2" NPT, Vertical
LIQUID TEMPERATURE	104°F (40°C) Continuous
VOLUTE	Cast Iron ASTM A-48, Class 30.
MOTOR HOUSING	Cast Iron ASTM A-48, Class 30.
SEAL PLATE	Cast Iron ASTM A-48, Class 30.
IMPELLER: <i>Design</i>	12 Vane, Vortex, With Pump Out Vanes On Back Side. Dynamically Balanced, ISO G6.3.
<i>Material</i>	Cast Iron
SHREDDING RING	Hardened 440C Stainless Steel Rockwell@ C-55.
CUTTER	Hardened 440C Stainless Steel, Rockwell@ C-55.
SHAFT	416 Stainless Steel
SQUARE RINGS	Buna-N
HARDWARE	300 Series Stainless Steel
PAINT	Air Dry Enamel.
SEAL: <i>Design</i>	Tandem Mechanical, Oil Filled Reservoir.
<i>Material</i>	Rotating Faces - Carbon Stationary Faces - Ceramic Elastomer - Buna-N Hardware - 300 Series Stainless
CORD ENTRY:	
SGV5002L & SGV5022L	30 ft. (9m) Std. Cord. Pressure Grommet for Sealing and Strain Relief.
All Other Models	30 ft. (9m) Std. Cord. Custom Molded Quick Connect for For Sealing and Strain Relief
CORD	CSA/UL Approved 10/4, 6/4, 8/4 Type SOW.
UPPER BEARING:	
<i>Design</i>	Single Row, Ball, Oil Lubricated
<i>Load</i>	Radial
INTERMEDIATE BEARING:	
<i>Design</i>	Single Row, Ball, Oil Lubricated
<i>Load</i>	Radial & Thrust
LOWER BEARING:	
<i>Design</i>	Sleeve, Oil Lubrication:
<i>Load</i>	Radial
MOTOR: <i>Design</i>	NEMA L-Single Phase, NEMA B-Three Phase Torque Curve. Oil-Filled, Squirrel Cage Induction.
<i>Insulation</i>	Class F.
SINGLE PHASE	Capacitor Start/Capacitor Run. Requires Overload Protection to be Included In control panel, Requires Barnes® Starter or Control Panel which Includes Capacitors, or Capacitor pack.
THREE PHASE	Dual Voltage 240/480; Requires Overload Protection to be Included in control panel.
OPTIONAL EQUIPMENT	Seal Material, Impeller Trims, Cord Length, Moisture Sensors, Moveable Fitting
RECOMMENDED:	
<i>Accessories</i>	Break Away Fitting (BAF) Check Valve Control Panel
<i>Seal Kit PN</i>	085223
<i>Service Kit PN</i>	115771



SGV³ CENTRIFUGAL GRINDER PUMPS



SGV5002L & SGV5022L ONLY

Series: SGV 3, 5, 7.5 HP, 3450RPM, 60Hz

Sample Specifications: Section 3 Page 9.

DESCRIPTION:

THE GRINDER PUMP IS DESIGNED TO REDUCE DOMESTIC, COMMERCIAL, INSTITUTIONAL AND LIGHT INDUSTRIAL SEWAGE TO A FINELY GROUND SLURRY.



WARNING:
CANCER AND REPRODUCTIVE HARM -
WWW.P65WARNINGS.CA.GOV

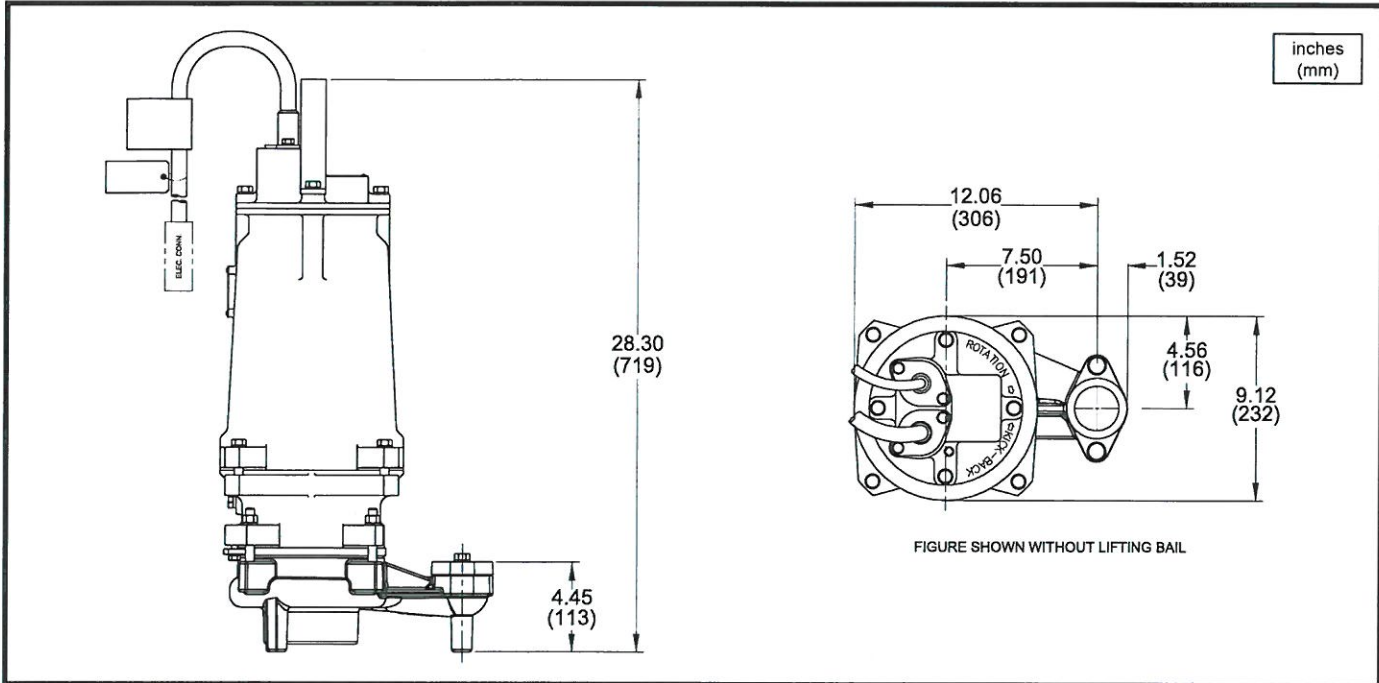
Series SGV

Recessed Vortex

BARNES®

www.cranepumps.com

Submersible Grinder Pumps



MODEL NO	PART NO	HP	VOLT/PH	Hz	RPM (Nom)	NEMA START CODE	FULL LOAD AMPS	LOCKED ROTOR AMPS	CORD SIZE	CORD TYPE	CORD O.D. ± .02 (.5) in (mm)
SGV3072L	111608	3	200/240/1	60	3450	G	25.2/21.7	86/75	10/4	SOW	.75 (19)
SGV3062L	111612	3	200/3	60	3450	J	17.0	65.0	10/4	SOW	.75 (19)
SGV3032L	111609	3	240/3	60	3450	K	14.5	62.0	10/4	SOW	.75 (19)
SGV3042L	111610	3	480/3	60	3450	K	7.2	31.0	10/4	SOW	.75 (19)
SGV3052L	111611	3	600/3	60	3450	J	5.6	22.6	10/4	SOW	.75 (19)
SGV5002L	115657	5	200/1	60	3450	F	42.0	134.0	6/4	SOW	1.03 (26)
SGV5022L	115658	5	240/1	60	3450	H	39.0	136.0	8/4	SOW	.93 (24)
SGV5062L	111619	5	200/3	60	3450	K	25.0	122.0	10/4	SOW	.75 (19)
SGV5032L	111616	5	240/3	60	3450	L	21.9	120.0	10/4	SOW	.75 (19)
SGV5042L	111617	5	480/3	60	3450	L	11.0	60.0	10/4	SOW	.75 (19)
SGV5052L	111618	5	600/3	60	3450	L	8.8	46.0	10/4	SOW	.75 (19)
SGV7532L	111613	7.5	240/3	60	3450	M	22.3	136.0	10/4	SOW	.75 (19)
SGV7542L	111614	7.5	480/3	60	3450	M	11.2	68.0	10/4	SOW	.75 (19)
SGV7552L	111615	7.5	600/3	60	3450	M	10.8	76.0	10/4	SOW	.75 (19)

Temperature sensor cord for SGV5002L & SGV5022L is 14/2 SOW, 0.55 (14mm) ± .02 (.51mm) O.D.
 Temperature sensor cord for all other models is 14/3 SOW, 0.55 (14mm) ± .02 (.51mm) O.D.
Optional - Moisture and Temperature sensor cord for all models is 18/5 SOW, 0.47 (12mm) ± .02 (.51mm) O.D., replaces Temperature sensor cord.

IMPORTANT !

- 1.) PUMP MAY BE OPERATED "DRY" FOR EXTENDED PERIODS WITHOUT DAMAGE TO MOTOR AND/OR SEALS.
- 2.) INSTALLATIONS SUCH AS DECORATIVE FOUNTAINS OR WATER FEATURES PROVIDED FOR VISUAL ENJOYMENT MUST BE INSTALLED IN ACCORDANCE WITH THE NATIONAL ELECTRIC CODE ANSI/NFPA 70 AND/OR THE AUTHORITY HAVING JURISDICTION. THIS PUMP IS NOT INTENDED FOR USE IN SWIMMING POOLS, RECREATIONAL WATER PARKS, OR INSTALLATIONS IN WHICH HUMAN CONTACT WITH PUMPED MEDIA IS A COMMON OCCURRENCE.

SECTION 3B
 PAGE 6
 DATE 8/19

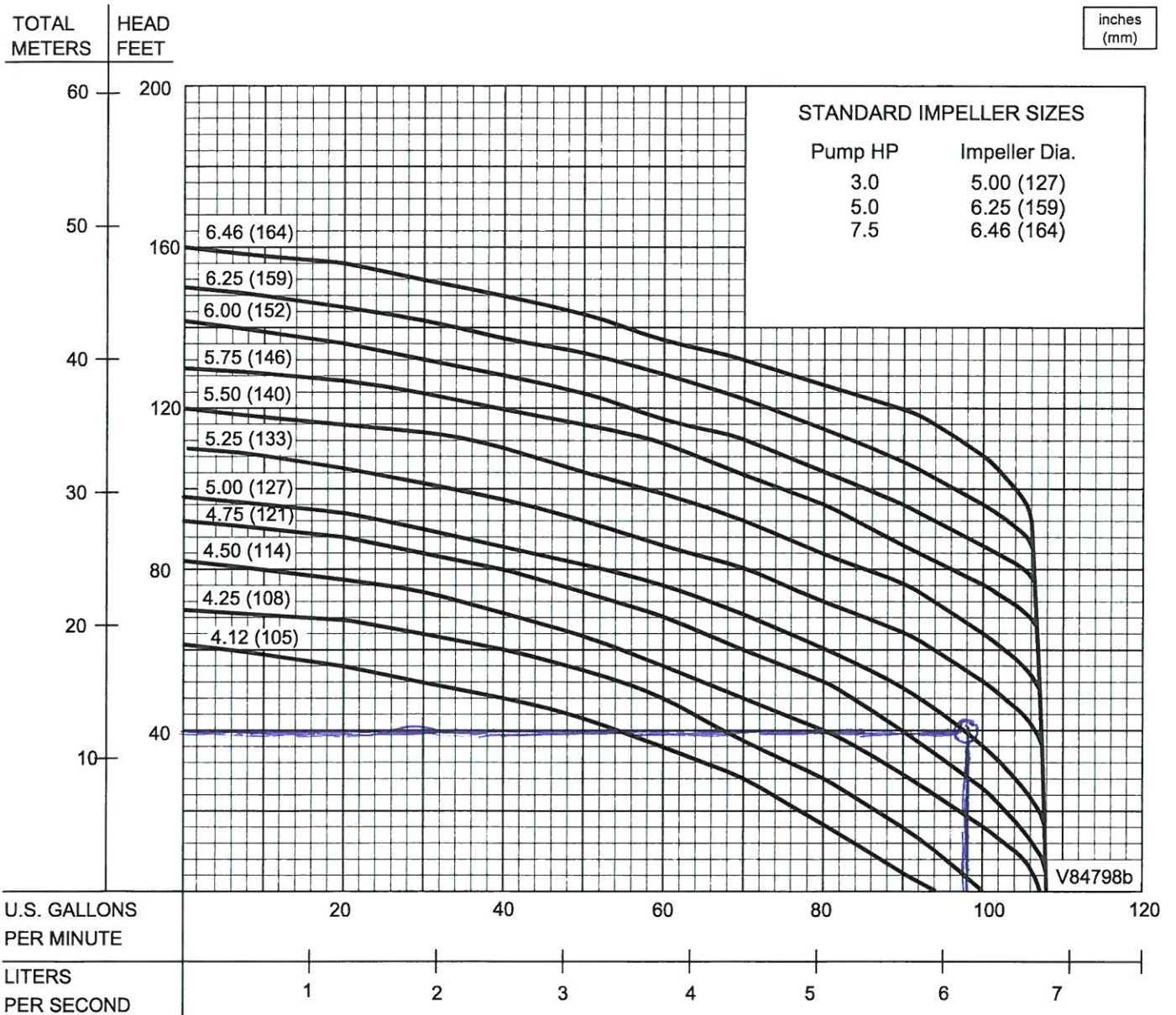


PUMPS & SYSTEMS

A Crane Co. Company

USA: (937) 778-8947 • Canada: (905) 457-6223 • International: (937) 615-3598

Submersible Grinder Pumps



Testing is performed with water, specific gravity 1.0 @ 68° F @ (20°C), other fluids may vary performance

Specifications

STEALTH™ Duplex, Wall Mount
For SGV, OGP, OGV & BLADE Grinder Pumps

BARNES®

www.cranepumps.com

Control Panels & Accessories

GENERAL:

A wall mounted control panel shall be supplied with each station. All control panels shall be UL Listed to meet Standard UL 508A. Each panel shall be constructed with a padlockable NEMA 4X non-metallic enclosure and utilize stainless steel hardware.

DUPLEX CONTROL PANELS:

The control panel shall include as a minimum: circuit breakers, fuses, terminal strip, ground lug, capacitors when required, IEC rated motor starters, relays, alarm silence button mounted on enclosure, pump alternator, and internal push to run button for each pump. Controls for both pumps must be located in the same enclosure.

HIGH WATER ALARM DEVICE(s):

Each control panel shall include a visual and audible, with silence, high water alarm device. Alarm circuit shall be separately fused from motor control circuit. The visual alarm shall be a red fluted lens mounted to the top of the enclosure in such a manner as to maintain rain-proof integrity. The 90db audible device shall be capable of being de-activated by means of a NEMA 4X silence button mounted on the exterior of the enclosure. Visual alarm will remain on as long as a high water condition exists in the basin. Both visual and audio alarms will automatically reset when the high water condition subsides.

SECTION A
PAGE 4
DATE 2/20

CRANE®

A Crane Co. Company

PUMPS & SYSTEMS

USA: (937) 778-8947 • Canada: (905) 457-6223 • International: (937) 615-3598

STEALTH™

CONTROL PANELS

PUMP SERIES:

- R = SGV Series Grinders
- XR = XSGV Series Grinders
- O = OGP & OGV Series Grinders
- B = NGV, NGVH & NGVHH Series
- XB = XGV, XGVH & XGVHH Series

PANEL MODEL:

- 101 thru 116, Simplex
- 201 thru 216, Duplex

HORSEPOWER:

- 1 = 1HP
- 2 = 2HP
- 3 = 3HP
- 5 = 5HP
- 7 = 7.5HP
- 10 = 10HP
- 15 = 15HP

STEALTH -R -101 -2 1E -P

VOLTAGE:

- 0* = 200 Volt, 1 Phase, 60Hz
- 1* = 120 Volt, 1 Phase, 60Hz
- 2* = 240 Volt, 1 Phase, 60Hz
- 3* = 240 Volt, 3 Phase, 60Hz
- 4* = 480 Volt, 3 Phase, 60Hz
- 5* = 600 Volt, 3 Phase, 60Hz
- 6* = 200 Volt, 3 Phase, 60Hz

MOUNTING:

- * = Wall Mount (STD)
- P = Poly Drywell Mount

(*) Left Blank

(*) If "E" - ESPS-200 Compliant.
If Blank - Requires ESPS-200 wiring modification and/or kit.

IMPORTANT!

Drywell Panels are included in the Pre-Wired Basin Package

Stealth Control Panels

Simplex and Duplex, Wall Mounted Series

For SGV's, OGP, OGVF, OGVH & BLADE Grinder Pumps

BARNES®

www.cranepumps.com

Control Panels & Accessories

Specifications:

R, O & B Series

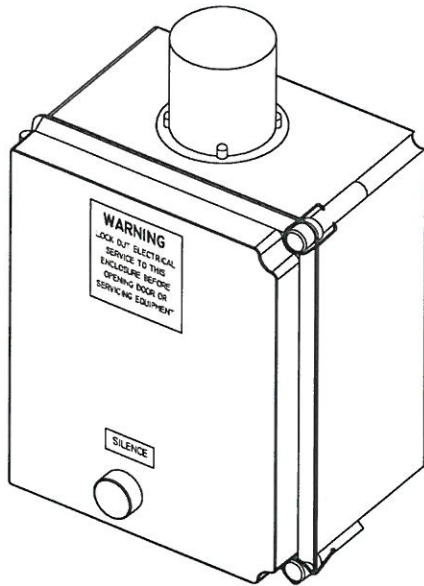
Listed by Underwriters Laboratories, simplex and duplex pump control panels provide reliable grinder pump station operation and potential malfunction warning.

STANDARD FEATURES:

- UL 508A Listed
- NEMA 4X Non-metallic Enclosure
- Padlockable Latch
- Pump/Panel Circuit Breaker
- IEC Rated Motor Contactor
- Ambient Compensated Current Overload (R Panels Only, except for SGVF2022L and SGVH2022L, Overload for OGP, OGVF2022, OGVH2022, SGVF2022L, SGVH2022L, SGVF2002L and SGVH2002L Pumps located internally in the pump)
- Pump Start Pushbutton
- Individually Fused Circuits for Alarm and Control Components
- 25 Watt High Water Alarm Light with NEMA 4X Lens
- Pre-Installed Capacitor Kit (R Panels Only, Capacitor for OGP, OGVF & OGVH Pumps located internally in the pump)
- Terminal Strip and Ground Lug for Incoming Connections
- Pump Alternator (200 Series Duplex Panels Only)
- 90 db alarm horn with NEMA 4X silence pushbutton.

OPTIONAL FEATURES:

- 7 Digit Elapsed Time Meter with meter running indicator.
- Transfer Switch with easy access reverse pin portable generator receptacle and weatherproof cover.
- Seal Leak Indication with 120 volt indicator lamp and terminals for 2 leak probe wires. (R Series only)



Wall Mounted Series:

Stealth-R-100 & 200

Stealth-O-100 & 200

Stealth-B-100 & 200

STEALTH™

CONTROL PANELS



WARNING:

CANCER AND REPRODUCTIVE HARM -
WWW.P65WARNINGS.CA.GOV



SECTION A
PAGE 18
DATE 2/20

CRANE®

A Crane Co. Company

PUMPS & SYSTEMS

USA: (937) 778-8947 • Canada: (905) 457-6223 • International: (937) 615-3598

Control Panels & Accessories

VOLTAGE PHASE	2HP, OGP, OGVF/OGVH	2HP SGVF/SGVH	3HP SGV	5HP SGV	7.5HP SGV
201 - NEMA 4X Non-metallic Enclosure, Operating Controls, Alarm Light					
240/1	O-201-22E P/N: 122283	R-201-22E P/N: 122291	R-201-32E P/N: 122320	R-201-52E P/N: 122335	N/A
200/1	N/A	R-201-20E P/N: 122307	R-201-30E P/N: 122319	R-201-50E P/N: 122334	N/A
200/3	N/A	R-201-26E P/N: 122308	R-201-36E P/N: 122321	R-201-56E P/N: 122336	N/A
240/3	N/A	R-201-23E P/N: 122309	R-201-33E P/N: 122322	R-201-53E P/N: 122337	R-201-73E P/N: 122349
480/3	N/A	R-201-24E P/N: 122310	R-201-34E P/N: 122323	R-201-54E P/N: 122338	R-201-74E P/N: 122350
202 - NEMA 4X Non-metallic Enclosure, Operating Controls, Audio Alarm w/ Push Button Silence & Alarm Light					
240/1	O-202-22E P/N: 122284	R-202-22E P/N: 122292	R-202-32E P/N: 122325	R-202-52E P/N: 122340	N/A
200/1	N/A	R-202-20E P/N: 122311	R-202-30E P/N: 122324	R-202-50E P/N: 122339	N/A
200/3	N/A	R-202-26E P/N: 122312	R-202-36E P/N: 122326	R-202-56E P/N: 122341	N/A
240/3	N/A	R-202-23E P/N: 122313	R-202-33E P/N: 122327	R-202-53E P/N: 122342	R-202-73E P/N: 122351
480/3	N/A	R-202-24E P/N: 122314	R-202-34E P/N: 122328	R-202-54E P/N: 122343	R-202-74E P/N: 122352
203 - NEMA 4X Non-metallic Enclosure, Operating Controls, Seal Leak Detection & Alarm Light					
240/1	N/A	R-203-22E P/N: 122293	N/A	N/A	N/A
204 - NEMA 4X Non-metallic Enclosure, Operating Controls, Seal Leak Detection, Audio Alarm w/Push Button Silence & Alarm Light					
240/1	N/A	R-204-22E P/N: 122294	R-204-32E P/N: 122330	R-204-52E P/N: 122345	N/A
200/1	N/A	R-204-20E P/N: 122315	R-204-30E P/N: 122329	R-204-50E P/N: 122344	N/A
200/3	N/A	R-204-26E P/N: 122316	R-204-36E P/N: 122331	R-204-56E P/N: 122346	N/A
240/3	N/A	R-204-23E P/N: 122317	R-204-33E P/N: 122332	R-204-53E P/N: 122347	R-204-73E P/N: 122353
480/3	N/A	R-204-24E P/N: 122318	R-204-34E P/N: 122333	R-204-54E P/N: 122348	R-204-74E P/N: 122354
205 - NEMA 4X Non-metallic Enclosure, Operating Controls, Generator Receptacle & Alarm Light					
240/1	O-205-22E P/N: 122285	R-205-22E P/N: 122295	R-205-3X *	R-205-5X *	R-205-7X *
206 - NEMA 4X Non-metallic Enclosure, Operating Controls, Generator Receptacle, Audio Alarm w/Push Button Silence & Alarm Light					
240/1	O-206-22E P/N: 122286	R-206-22E P/N: 122296	R-206-3X *	R-206-5X *	R-206-7X *
207 - NEMA 4X Non-metallic Enclosure, Operating Controls, Seal Leak Detection, Generator Receptacle & Alarm Light					
240/1	N/A	R-207-22E P/N: 122297	R-207-3X *	R-207-5X *	R-207-7X *
208 - NEMA 4X Non-metallic Enclosure, Operating Controls, Seal Leak Detection, Generator Receptacle, Audio Alarm w/Push Button Silence & Alarm Light					
240/1	N/A	R-208-22E P/N: 122298	R-208-3X *	R-208-5X *	R-208-7X *
209 - NEMA 4X Non-metallic Enclosure, Operating Controls, Alarm Light & Elapsed Time Meter					
240/1	O-209-22E P/N: 122287	R-209-22E P/N: 122299	R-209-3X *	R-209-5X *	R-209-7X *
210 - NEMA 4X Non-metallic Enclosure, Operating Controls, Audio Alarm w/ Push Button Silence, Alarm Light & Elapsed Time Meter					
240/1	O-210-22E P/N: 122288	R-210-22E P/N: 122300	R-210-3X *	R-210-5X *	R-210-7X *
211 - NEMA 4X Non-metallic Enclosure, Operating Controls, Seal Leak Detection, Alarm Light & Elapsed Time Meter					
240/1	N/A	R-211-22E P/N: 122301	R-211-3X *	R-211-5X *	R-211-7X *
212 - NEMA 4X Non-metallic Enclosure, Operating Controls, Seal Leak Detection Audio Alarm w/Push Button Silence, Alarm Light & Elapsed Time Meter					
240/1	N/A	R-212-22E P/N: 122302	R-212-3X *	R-212-5X *	R-212-7X *
213 - NEMA 4X Non-metallic Enclosure, Operating Controls, Generator Receptacle, Alarm Light & Elapsed Time Meter					
240/1	O-213-22E P/N: 122289	R-213-22E P/N: 122303	R-213-3X *	R-213-5X *	R-213-7X *
214 - NEMA 4X Non-metallic Enclosure, Operating Controls, Generator Receptacle, Audio Alarm w/Push Button Silence, Alarm Light & Elapsed Time Meter					
240/1	O-214-22E P/N: 122290	R-214-22E P/N: 122304	R-214-3X *	R-214-5X *	R-214-7X *
215 - NEMA 4X Non-metallic Enclosure, Operating Controls, Seal Leak Detection, Generator Receptacle, Alarm Light & Elapsed Time Meter					
240/1	N/A	R-215-22E P/N: 122305	R-215-3X *	R-215-5X *	R-215-7X *
216 - NEMA 4X Non-metallic Enclosure, Operating Controls, Seal Leak Detection, Generator Receptacle, Audio Alarm w/Push Button Silence, Alarm Light & Elapsed Time Meter					
240/1	N/A	R-216-22E P/N: 122306	R-216-3X *	R-216-5X *	R-216-7X *
IMPORTANT! Control panel sizes and options will vary depending on contract specifications. When ordering control panels, use the Nomenclature Chart on page 1 for Model designation. (*) Consult factory for availability					

Specifications:

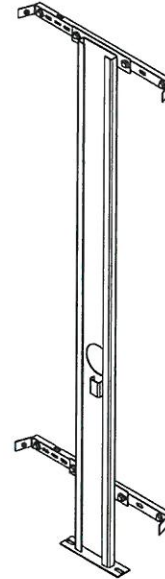
The "C" channel guide rail assembly is made of 300 series stainless steel. The guide rail mounts to the upper and lower horizontal brackets attached to the basin wall. The rail also rest on the bottom of the basin floor, The stainless steel guide rail supports the pump the required distance from the basin floor. Guide brackets (supplied with the Moveable Fitting Assembly) are attached to the pump for positioning of the unit on the guide rail during installation and removal.

The stationary of the hydraulically sealed discharge is powder coated machined cast iron. The stationary fitting has a fiber reinforced neoprene diaphragm clamped between the stainless steel rail and the stationary pressure vessel. The moveable fitting is held against the stationary fitting by the construction of the stainless steel rail, aligning the moveable fitting to the flexible diaphragm for proper sealing of the two surfaces.

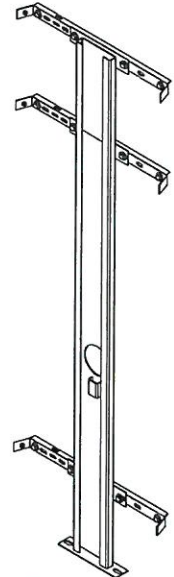
Each assembly includes:

- 300 Series Stainless Steel Guide Rail.
- 300 Series Stainless Steel Upper and Lower Support Brackets.
- Available for Basin Depths 48" to 156" (1.2m to 3.9m)
- 300 Series Stainless Steel Intermediate Support Brackets for Basin Depths 144" (3.7m) and greater.
- Powder Coated Cast Iron Stationary Fitting.
- Fiber Re-Inforced Neoprene Diaphragm.

Quantity of One (1) each for Simplex and Two (2) for Duplex.



SIMPLEX RAIL SHOWN



SIMPLEX RAIL WITH INTERMEDIATE SUPPORT FOR DEPTHS 144" (3.7M) AND GREATER

1 1/4" NPT Discharge
2" NPT Discharge

DESCRIPTION:

THE BREAK AWAY FITTING IS DESIGNED TO ALLOW THE SUBMERSIBLE PUMP TO BE INSTALLED OR REMOVED WITHOUT REQUIRING PERSONNEL TO ENTER THE WET WELL.



WARNING:

CANCER AND REPRODUCTIVE HARM -
WWW.P65WARNINGS.CA.GOV

Specifications:

The Moveable Fitting Assembly is used with the Stainless "C" Channel Guide Rails for field installation in concrete wet wells or basins.

STANDARD:

Each moveable assembly includes a stainless steel upper pump bracket with stainless hardware, stainless steel pipe nipples, cast iron flapper style check valve with integrated anti-siphon, and cast iron lower guide bracket.

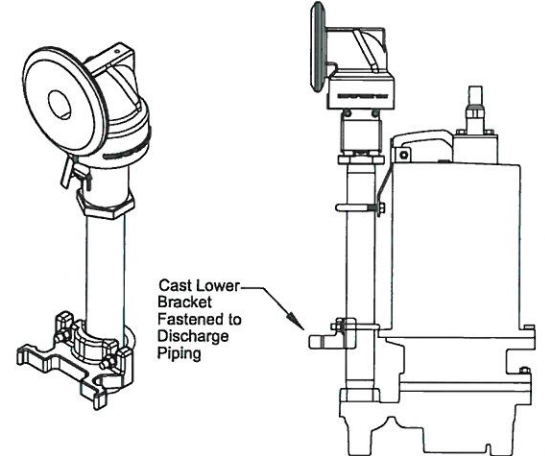
NON-SPARKING:

For Non-Sparking systems the upper and lower pump brackets and moveable fitting are of brass material. All hardware is stainless steel.

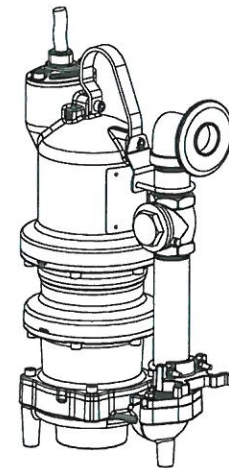
PUMP MODEL	TYPE	SIZE NPT	PART No. w/VALVE	PART No. w/o VALVE
SGV - 2 HP	A	1.25	116593B	079156J
SGV	A	2.00	116728B	079157F
OGV	A	1.25	116594B	
OGV-AU	A	1.25	116595B	
OGP	A	1.25	116596B	
OGP-AU	A	1.25	116597B	
XSGV*	B	1.25	142508B	
XGV*	B	2.00	141065B	

Pump **NOT** Included, Moveable fitting factory assembled to pump when ordered with basin package.

(*) Discharge pipe has a 1/8" (3.2mm) Dia. hole (for anti-siphon function), 5" (127mm) from end nearest to volute and oriented towards the pump body.



TYPE: A
Standard Pumps



TYPE: B
Explosion Proof Pumps

DESCRIPTION:

THE BREAK AWAY FITTING IS DESIGNED TO ALLOW THE SUBMERSIBLE PUMP TO BE INSTALLED OR REMOVED WITHOUT REQUIRING PERSONNEL TO ENTER THE WET WELL.



WARNING:

CANCER AND REPRODUCTIVE HARM -
WWW.P65WARNINGS.CA.GOV

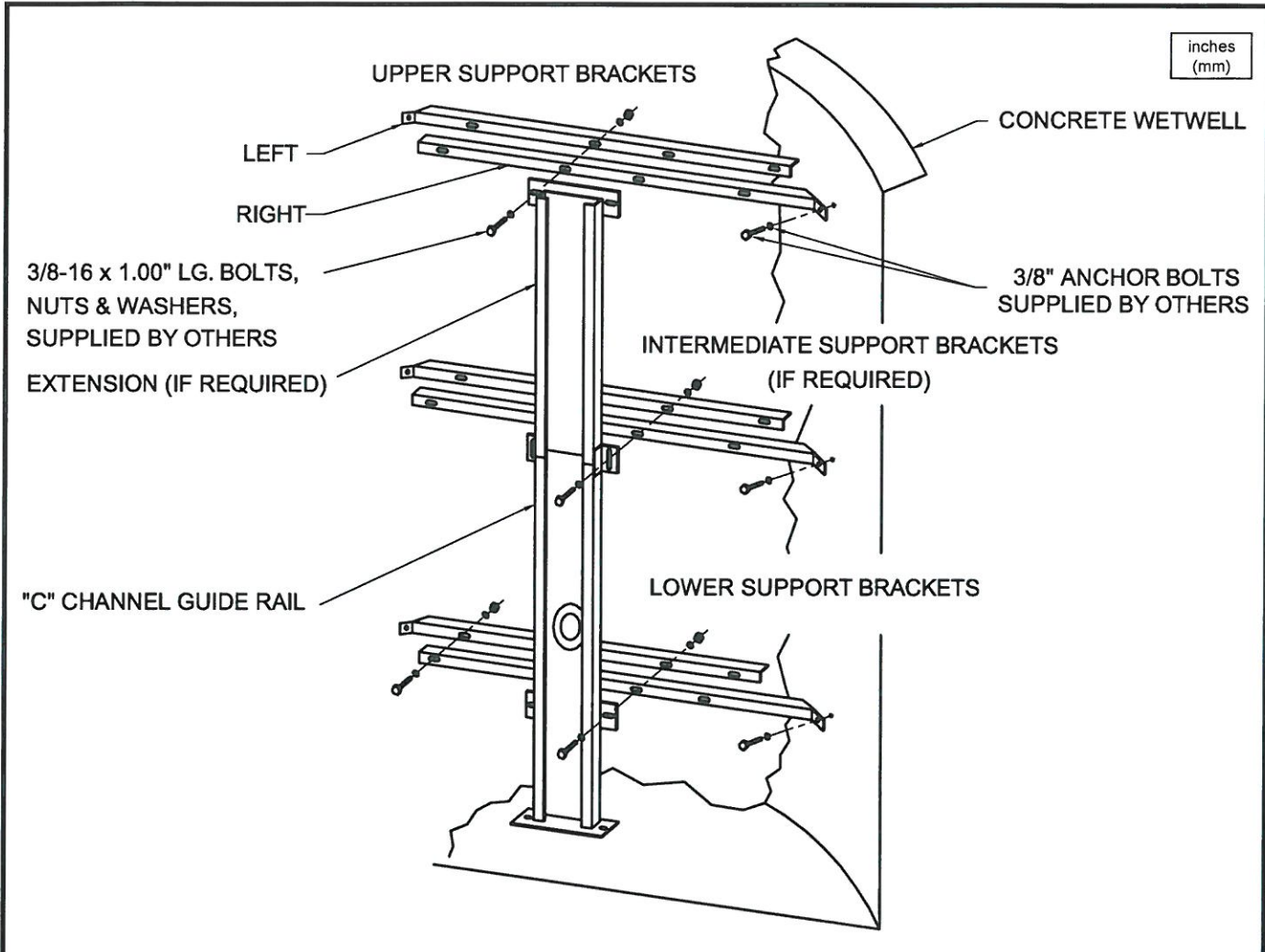
Rail Supports

For Stainless "C" Channel Rail System
Simplex and Duplex

BARNES®

www.cranepumps.com

Break Away Fittings



SIMPLEX			DUPLEX	
BASIN DIA	L.H. PART NO.	R.H. PART NO.	L.H. PART NO.	R.H. PART NO.
24 (610)	094797	094793	N/A	N/A
30 (762)	094798	094794	N/A	N/A
36 (914)	094799	094795	094792	094791
42 (1067)	094800	094796	094792A	094791A
48 (1219)	097840	097841	094792B	094791B
60 (1524)	098128	098127	094792C	094791C
72 (1829)	095719	095720	095050	095051

The Support Brackets are made of 14GA. 304 Stainless steel and can be used as Upper, Lower and Intermediate brackets.

Order a Left Hand and Right Hand in either Simplex or Duplex.

A.) The Upper support is to be positioned 12" (305mm) below the top of the wet well.

B.) Brackets for the Intermediate are used with INTERMEDIATE EXTENSION. See page 7.

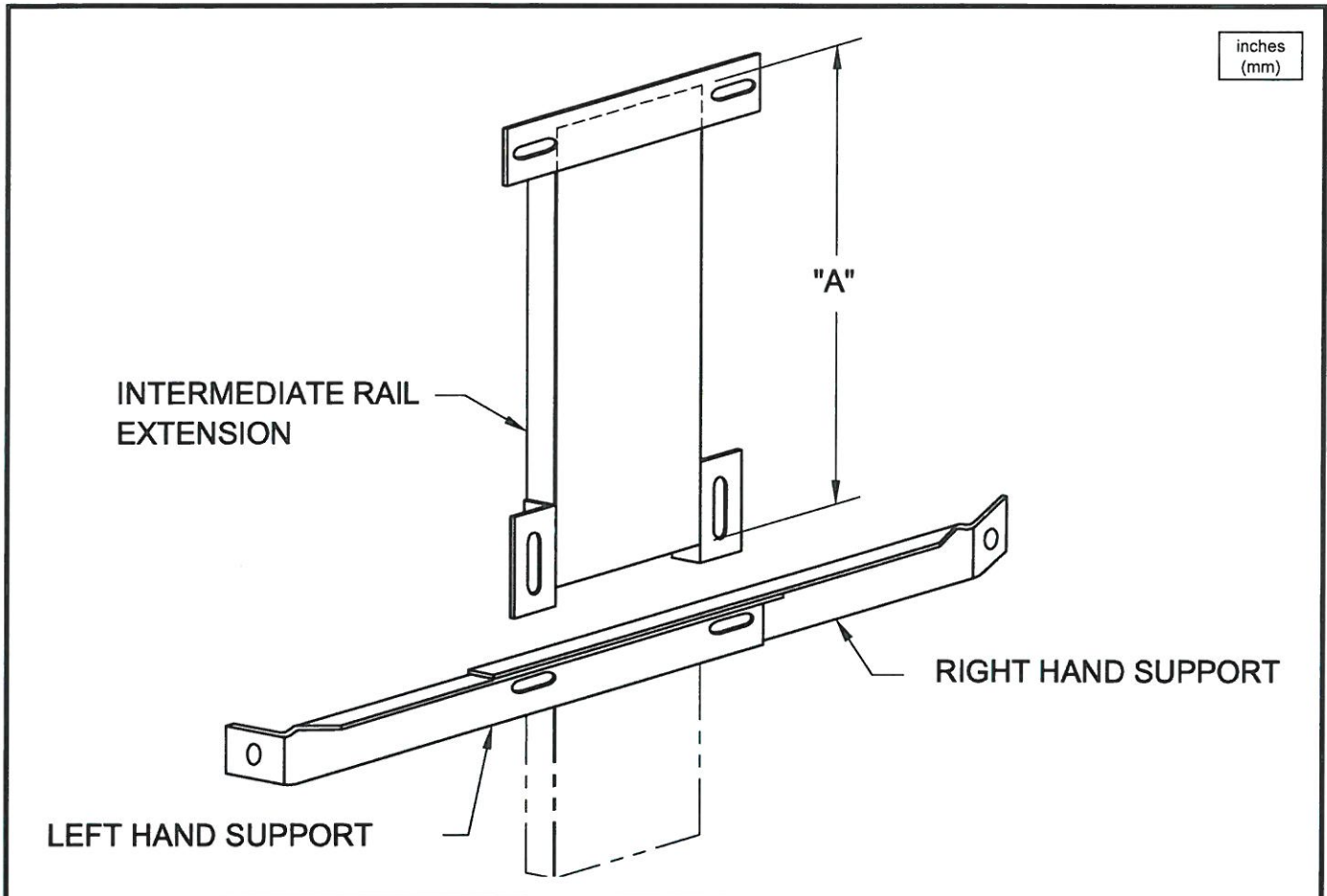
C.) The Lower brackets are used if the "C" channel foot is **Not anchored** to the bottom of the wet well.

SECTION B
PAGE 18
DATE 11/06

CRANE
A Crane Co. Company

PUMPS & SYSTEMS

USA: (937) 778-8947 • Canada: (905) 457-6223 • International: (937) 615-3598



EXTENSION

"A" DIM	PART NO.
24 (610)	134432
36 (914)	134432ED
48 (1219)	134432EE
60 (1524)	134432EF
72 (1829)	134432EG
84 (2134)	134432EH
96 (2438)	134432EJ
108 (2743)	134432EK
120 (3048)	134432EL
132 (3353)	134432EM

The Intermediate Guide Rail Extension are required for rails 168" (4267mm) and deeper. Support Brackets (see page 6) are required for rails 144" (3658mm) and deeper. Pump Center Distance for 36" (914mm) Dia. and 42" (1067mm) Dia. is 22" (559mm); 48" (1219mm) Dia. and 60" (1524mm) Dia. is 25.26" (642mm).

1. First select EXTENSION, quantity of one for Simplex and two for Duplex, making Dim. "A" at least half the depth of basin and the "C" channel rail with BAF the other half.
2. Next select Basin diameter, to determine part number for SUPPORTS (see page 6), quantity of one left hand and one right hand.