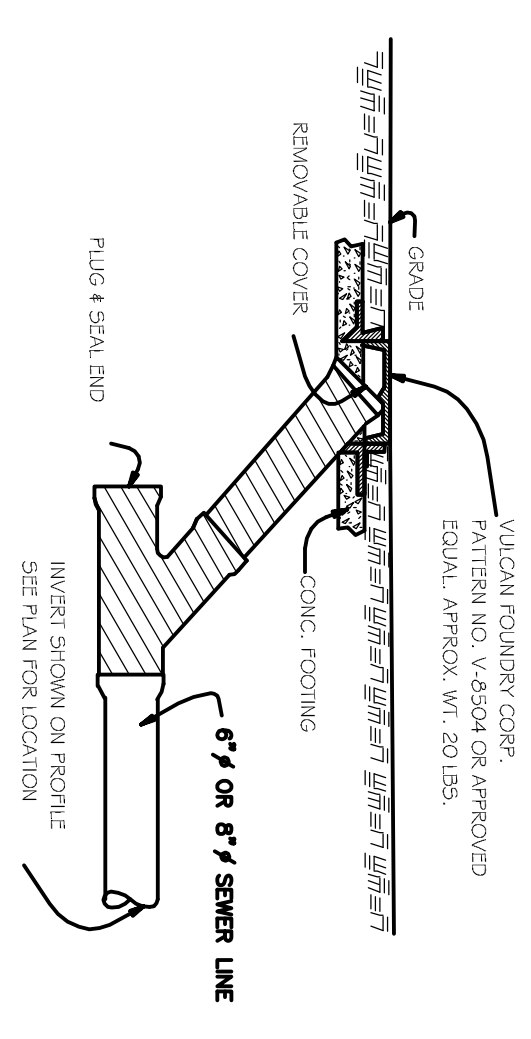
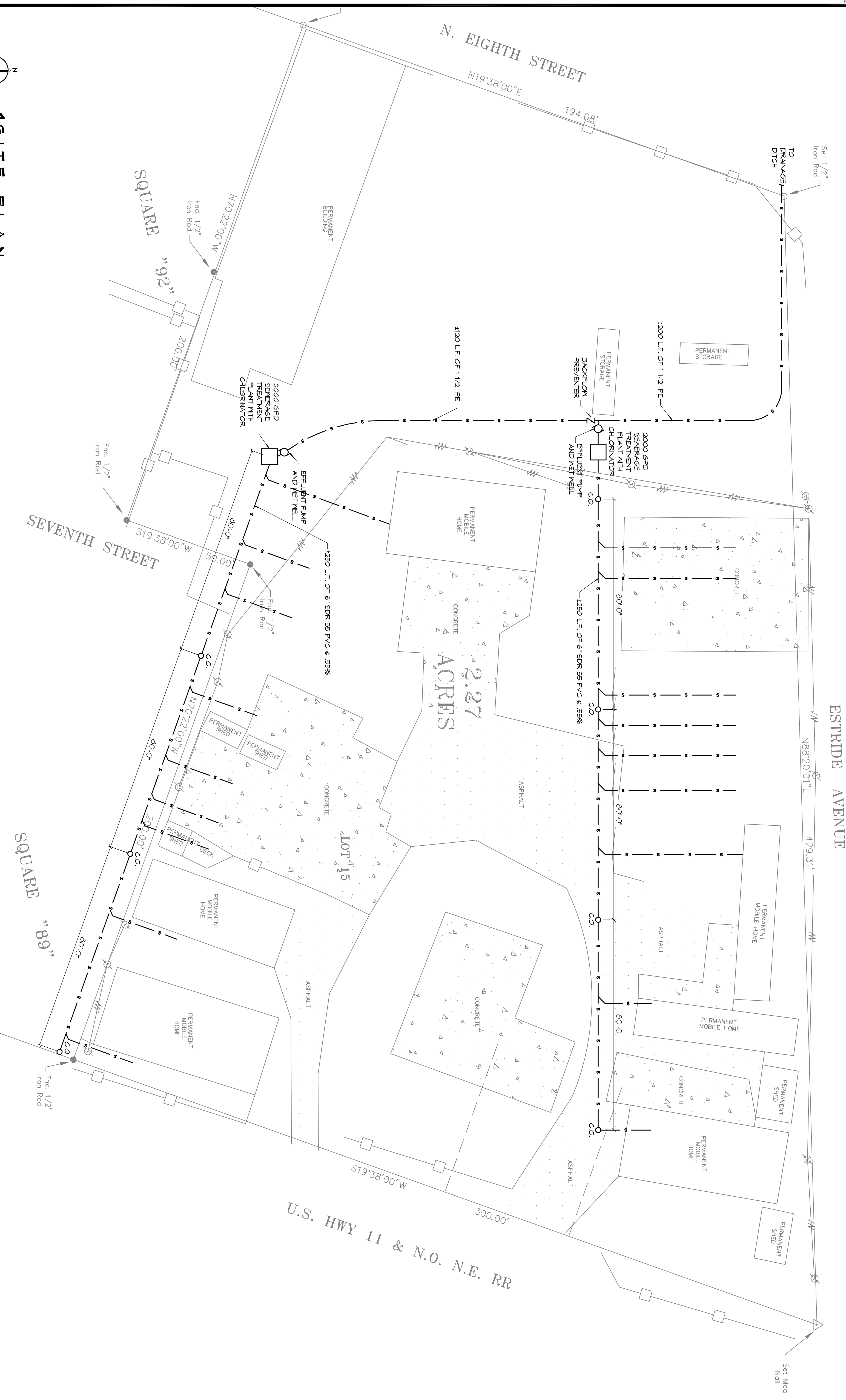


NOTE: A MINIMUM 10' HORIZ. AND 18" VERT. SEPARATION (WITH WATER MAIN ON TOP) IS REQUIRED BETWEEN WATER AND SEWER LINES.

1 SEWER PIPE MAIN BEDDING DETAIL
SCALE: NTS



2 CLEANOUT DETAIL
SCALE: NTS



1 SITE PLAN
SCALE: 1" = 20'

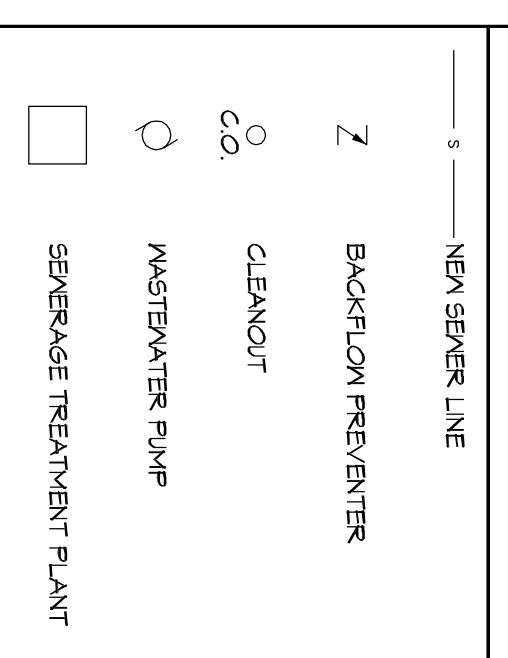
SITE UTILITIES NOTES

1. MINIMUM PIPE BURIAL TO BE 36 INCHES.
2. 6" CLEANOUTS EVERY 50 FEET, STARTING FROM HIGHEST END.
3. WATER AND SEWER MAINS SHALL BE SEPARATED BY A MINIMUM OF 6' WHEN RUNNING PARALLEL AND 18" WHEN CROSSING PERPENDICULAR (WITH THE WATER ABOVE THE SEWER).
4. SEWER LINES SHALL BE MAINTAINED A MINIMUM OF 50' DISTANCE FROM ANY WATER WELL.
5. 6" COLLECTION SHALL BE LAID AT A 5% SLOPE.
6. 6" CLEANOUTS SHALL BE INSTALLED ON THE 6" COLLECTION LINE EVERY 50 LINEAR FEET.
7. 6" SERVICE MAINS AND 4" SERVICE LATERALS SHALL BE P.V.C. (P.O.C.) VINTL. CHLORDED SEWER PIPE AND SHALL COMPLY WITH ASTM D2034 OR UN-9-4. THE PIPE SHALL BE WITH A STANDARD DIVISION RATIO (SDR) OF 35 (SDR 35). PIPE AND FITTINGS SHALL HAVE AN INTEGRATED BELL WITH ELASTOMERIC SEAL JOINTS. THE JOINTS SHALL COMPLY WITH ASTM D3212 OR UN-9-1. GAGGETS SHALL COMPLY WITH ASTM F417. JOINT LUBRICANTS SHALL BE AS RECOMMENDED BY THE PIPE MANUFACTURER.
8. PVC FITTINGS SHALL MANUFACTURED BY THE SAME COMPANY THAT MANUFACTURED THE PIPE TO WHICH TO BE ATTACHED.
9. ALL PIPE FITTINGS, CLEANOUTS AND RELATED APPURTEANCES SHALL BE NESTED (YES TO LINES), SAVED AND LOCATED AS SHOWN ON THE DRAWINGS.
10. ALL MATERIALS SHALL BE INSTALLED IN STRICT CONFORMANCE WITH THE MANUFACTURER'S RECOMMENDATIONS.
11. ALL PIPE SHALL BE INSTALLED WITH THE BELL END FACING UPSTREAM, INTERIOR AND ENDS OF ALL SEWER PIPES SHALL BE THOROUGHLY CLEANED OF ALL FOREIGN MATTER BEFORE JOINING WITH THE NEXT SECTION OF THE FITTING.
12. CONTRACTOR SHALL PAY FOR ALL SEWER SYSTEM TESTING INCLUDING INVERT AND SLOPE VERIFICATION, LAMPING, MANDRELL, PULLING OR ANY ADDITIONAL TESTING AS MAY BE REQUIRED TO INSURE SYSTEM PERFORMANCE.

GENERAL NOTES

1. CONTRACTOR IS TO VERIFY ALL EXISTING UTILITY LOCATIONS, ELEVATIONS AND SIZES PRIOR TO COMMENCING ANY WORK. CONTRACTOR IS RESPONSIBLE TO SET NEW INVERTS OF SEWERAGE PIPES.
2. 4-INCH SEWER LINES SHALL BE SLOPED 1/8" PER FOOT.
3. ALL FLOWING SHALL BE CLOSELY COORDINATED WITH WATER SYSTEM.
4. ALL SEWER LINES SHOWN ARE DIRECTIONAL.
5. MINIMUM PIPE MAIN BURIAL SHALL BE 3'-0".
6. OWNER SHALL IDENTIFY TRAILER SPACING FOR CONTRACTOR TO LAYOUT SEWER WORK.

SITE UTILITIES LEGEND



DAMMON ENGINEERING, INC.
LOUISIANA & MISSISSIPPI

Chief Engineer: Brian Misch, PE
554 Old Spanish Trail
Stidell, LA 70458

www.dammoneengineering.com
info@dammoneengineering.com
PH: 985.649.5832 F: 985.641.9590

#	DESCRIPTION	DATE

PRELIMINARY NOT FOR CONSTRUCTION

GUS MITCHELL SQUARE 89 & 92

ALTON ST. TAMMANY PARISH, LOUISIANA

JOB No: - DATE: FEBRUARY, 2016

DRAWN BY: NHM CHECKED BY: CKD

This drawing contains the specifications, design and engineering represented hereby and shall remain the property of Dammon Engineering, and no part thereof shall be copied, reproduced or used in any way without the written consent of Dammon Engineering, Inc. The user of this drawing shall be held responsible for the accuracy of the information contained herein and shall indemnify and hold Dammon Engineering, Inc. harmless from and against all claims, damages, losses and expenses, including reasonable attorneys' fees, which may be incurred by Dammon Engineering, Inc. as a result of the use of this drawing.

SHEET NUMBER: **C-1**

DRAWING NUMBER: **C-1**

SHEET No: **C-1**