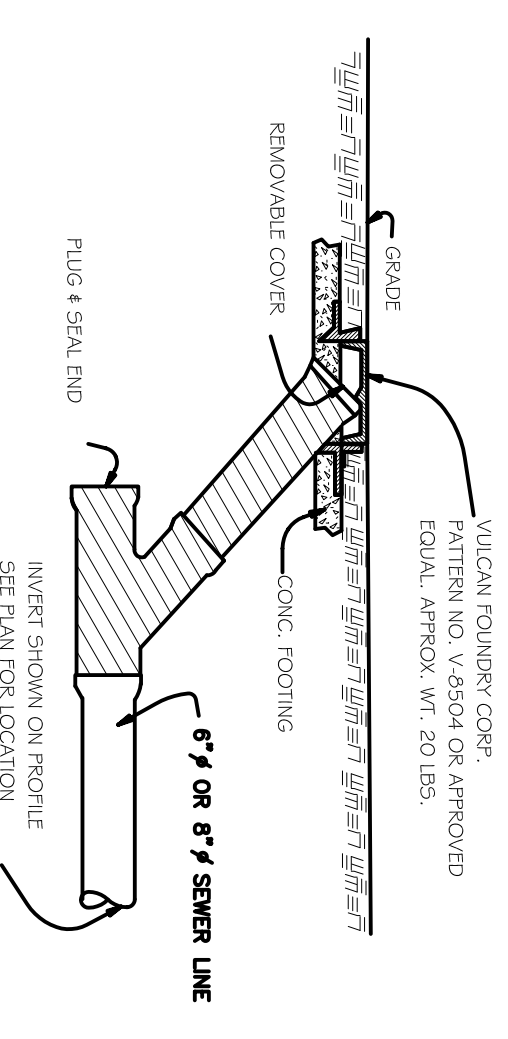
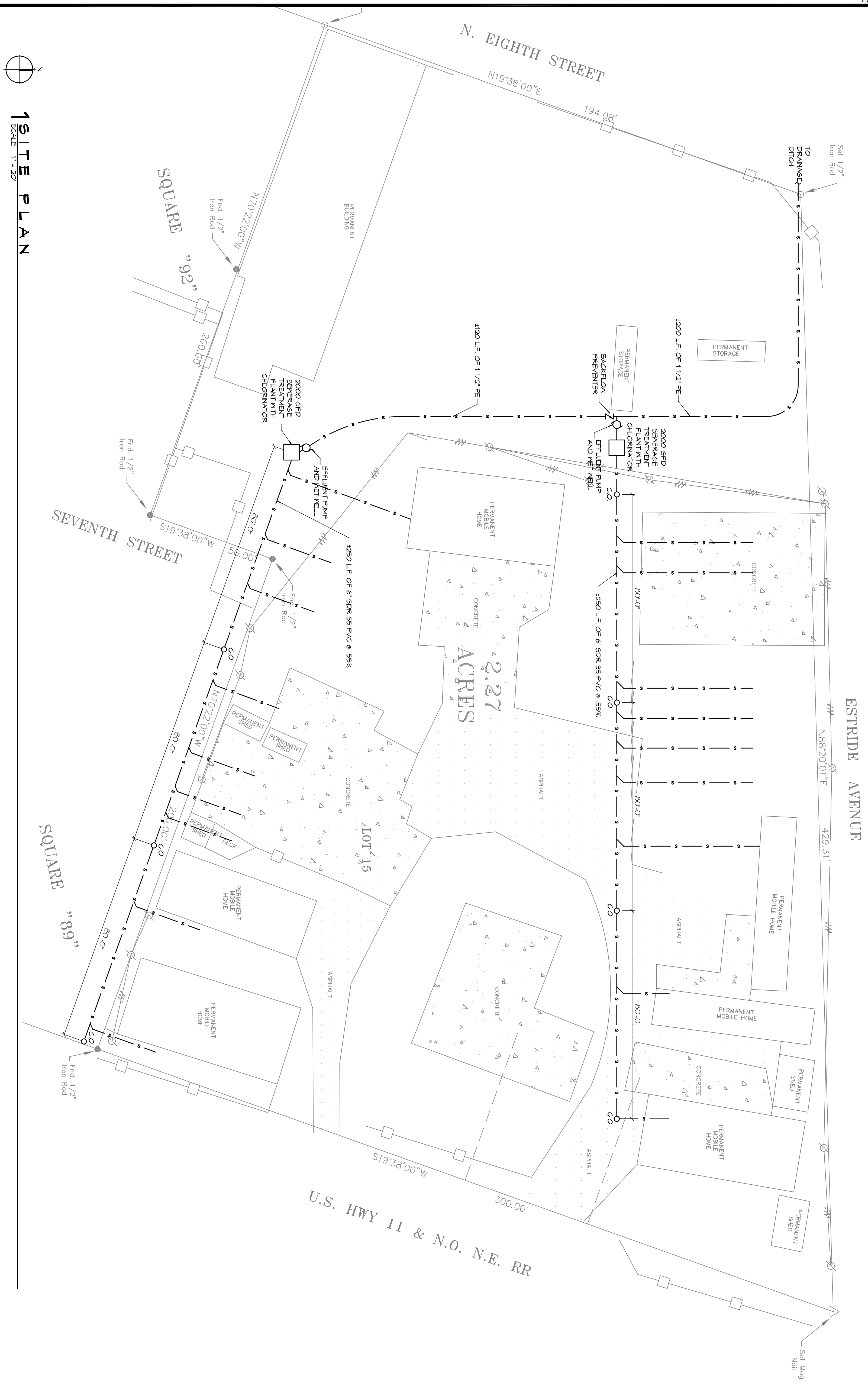


NOTE: A MINIMUM 10' HORIZ. AND 18" VERT. SEPARATION (WITH WATER MAIN ON TOP) IS REQUIRED BETWEEN WATER AND SEWER LINES.

**1** SEWER PIPE MAIN BEDDING DETAIL  
SCALE: NTS



**2** CLEANOUT DETAIL  
SCALE: NTS



**1** SITE PLAN  
SCALE: 1" = 20'

**SITE UTILITIES NOTES**

1. MINIMUM PIPE BURIAL TO BE 36 INCHES.
2. 6" CLEANOUTS EVERY 50 FEET, STARTING FROM HIGHEST END.
3. WATER AND SEWER MAINS SHALL BE SEPARATED BY A MINIMUM OF 6' (WHEN RUNNING PARALLEL) AND 18" (WHEN CROSSING PERPENDICULAR WITH THE WATER ABOVE THE SEWER).
4. SEWER LINES SHALL BE MAINTAINED A MINIMUM OF 50 DISTANCE FROM ANY WATER WELL.
5. 6" COLLECTION SHALL BE INSTALLED ON THE 6" COLLECTION LINE EVERY 50 LINEAR FEET.
6. 6" CLEANOUTS SHALL BE INSTALLED ON THE 6" COLLECTION LINE EVERY 50 LINEAR FEET.
7. 6" SERVICE MAINS AND 4" SERVICE LATERALS SHALL BE PVC (R/O)X VINT. CHLORIDE SEWER PIPE AND SHALL COMPLY WITH ASTM D2004 OR UN-9-4. THE PIPE SHALL BE WITH A STANDARD DIVERSION RATIO (SDR) OF 35 (SDR 35). PIPE AND FITTINGS SHALL HAVE AN INTEGRATED BELL WITH ELASTOMERIC SEAL JOINTS. THE JOINTS SHALL COMPLY WITH ASTM D3212 OR UN-9-1. GASKETS SHALL COMPLY WITH ASTM F471. JOINT LUBRICANTS SHALL BE AS RECOMMENDED BY THE PIPE MANUFACTURER.
8. PVC FITTINGS SHALL MANUFACTURED BY THE SAME COMPANY THAT MANUFACTURED THE PIPE TO WHICH IS TO BE ATTACHED.
9. ALL PIPE FITTINGS, CLEANOUTS AND RELATED APPURTEANCES SHALL BE NESTED (NE TO LINES), GRADES AND LOCATION AS SHOWN ON THE DRAWINGS.
10. ALL MATERIALS SHALL BE INSTALLED IN STRICT CONFORMANCE WITH THE MANUFACTURER'S RECOMMENDATIONS.
11. ALL PIPE SHALL BE INSTALLED WITH THE BELL END FACING UPSTREAM, INTERIOR AND ENDS OF ALL SEWER PIPES SHALL BE THOROUGHLY CLEANED OF ALL FOREIGN MATTER BEFORE JOINING WITH THE NEXT SECTION OF THE FITTING.
12. CONTRACTOR SHALL PAY FOR ALL SEWER SYSTEM TESTING INCLUDING INVERT AND SLOPE VERIFICATION, LAMPING, MANDRELL, PULLING OR ANY ADDITIONAL TESTING AS MAY BE REQUIRED TO INSURE SYSTEM PERFORMANCE.

**GENERAL NOTES**

1. CONTRACTOR IS TO VERIFY ALL EXISTING UTILITY LOCATIONS, ELEVATIONS AND SIZES PRIOR TO COMMENCING ANY WORK. CONTRACTOR IS RESPONSIBLE TO SET NEW INVERTS OF SEWERAGE PIPES.
2. 4 INCH SEWER LINES SHALL BE SLOPED 1/8" PER FOOT.
3. ALL FLOWING SHALL BE CLOSELY COORDINATED WITH WATER SYSTEM.
4. ALL SEWER LINES SHOWN ARE DIRECTIONAL.
5. MINIMUM PIPE MAIN BURIAL SHALL BE 3'-0".
6. OWNER SHALL IDENTIFY TRAILER SPACING FOR CONTRACTOR TO LAYOUT SEWER WORK.

**SITE UTILITIES LEGEND**

- 6" NEW SEWER LINE
- Z BACKFLOW PREVENTER
- CO CLEANOUT
- WASTEWATER PUMP
- SEWERAGE TREATMENT PLANT

**DAMMON ENGINEERING, INC.**  
LOUISIANA & MISSISSIPPI

Chief Engineer: Brian Mistch, PE  
554 Old Spanish Trail  
Stidell, LA 70458

www.dammoneengineering.com  
info@dammoneengineering.com  
PH: 985.649.5832 F: 985.641.5950

REVISIONS	DATE

**GUS MITCHELL SQUARE 89 & 92**

ALTON ST. TAMMANY PARISH, LOUISIANA

JOB No:                      DATE: FEBRUARY, 2016

DRAWN BY: NHM              CHECKED BY: CKD

The above drawings and specifications, designs and a registered professional seal and shall remain the property of Dammon Engineering, and no part thereof shall be copied, reproduced, or used in connection with any work or project other than the specific project for which they have been prepared and developed without written consent of Dammon Engineering, Inc. Please contact with those covering in specifications and conditions.

SHEET NUMBER: **C-1**

DRAWING NUMBER: **C-1**

SHEET NO.                      OF -