

SHEET TITLE

These documents are the property of Bailey & Associates Architects LLC. Any duplication in whole or in part must be done with the written consent of Bailey & Associates Architects, LLC

PROFESSIONAL SEAL

© Bailey & Associates

PROJECT NUMBER
 0149.11.07

DATE: August 05, 2008
DRAWN BY: R.E.B.

CHECKED BY:

REVISIONS

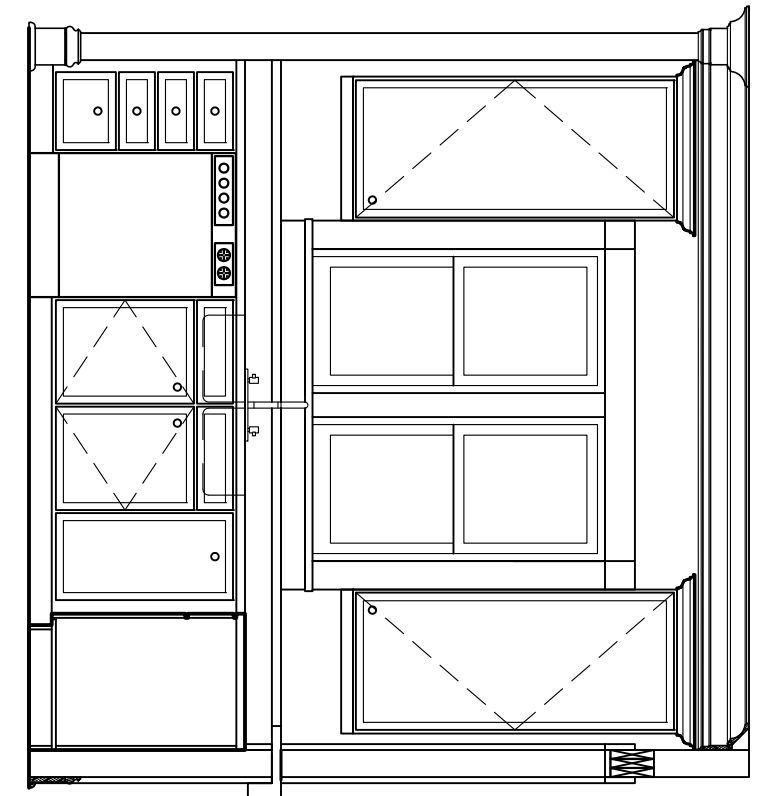
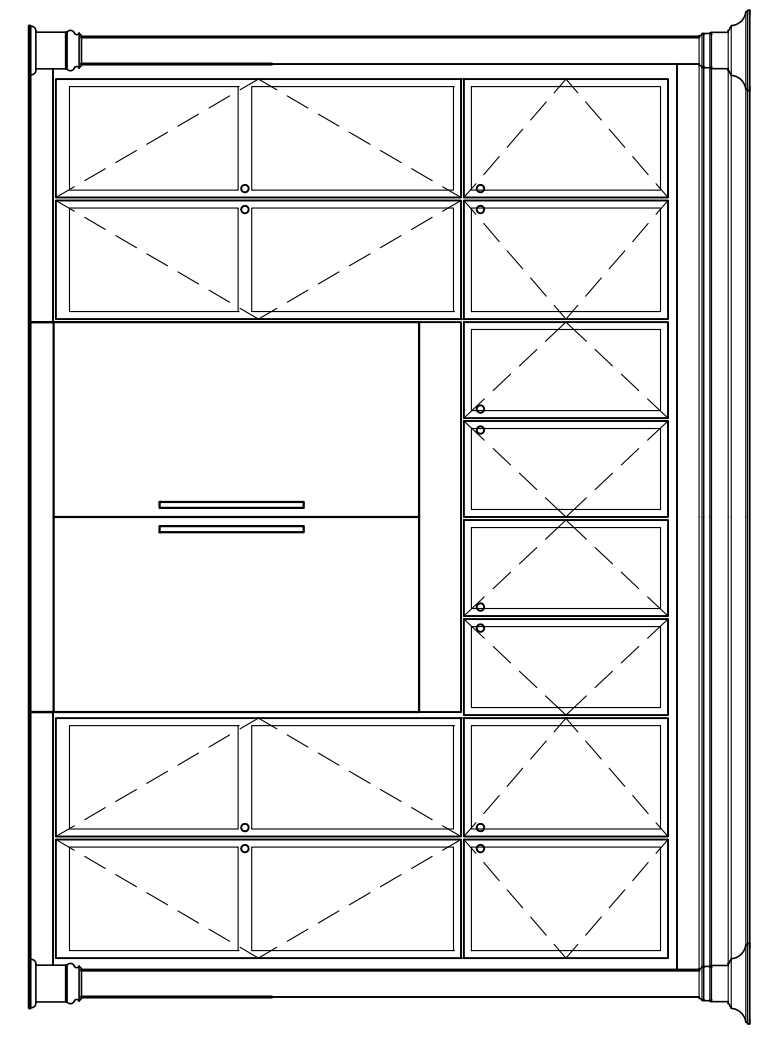
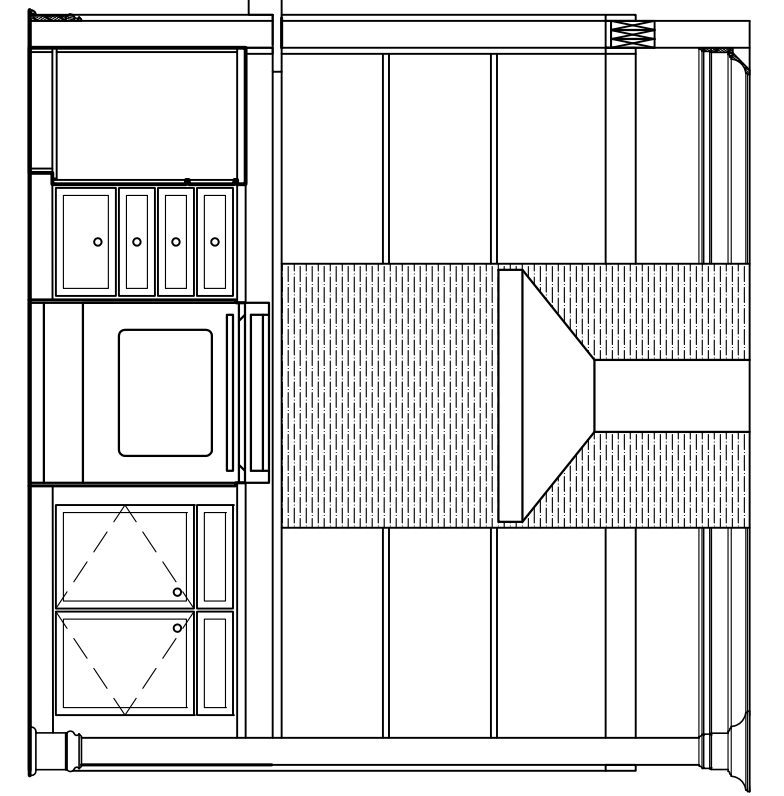
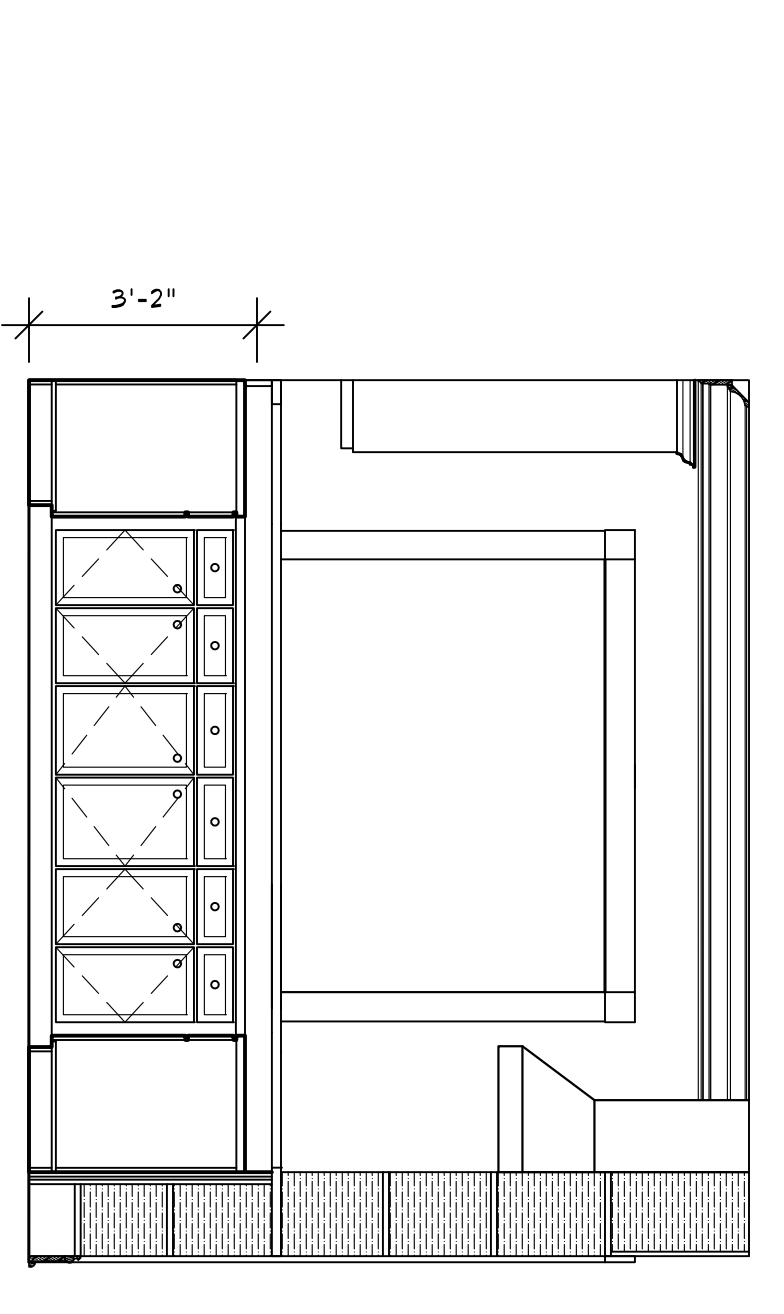
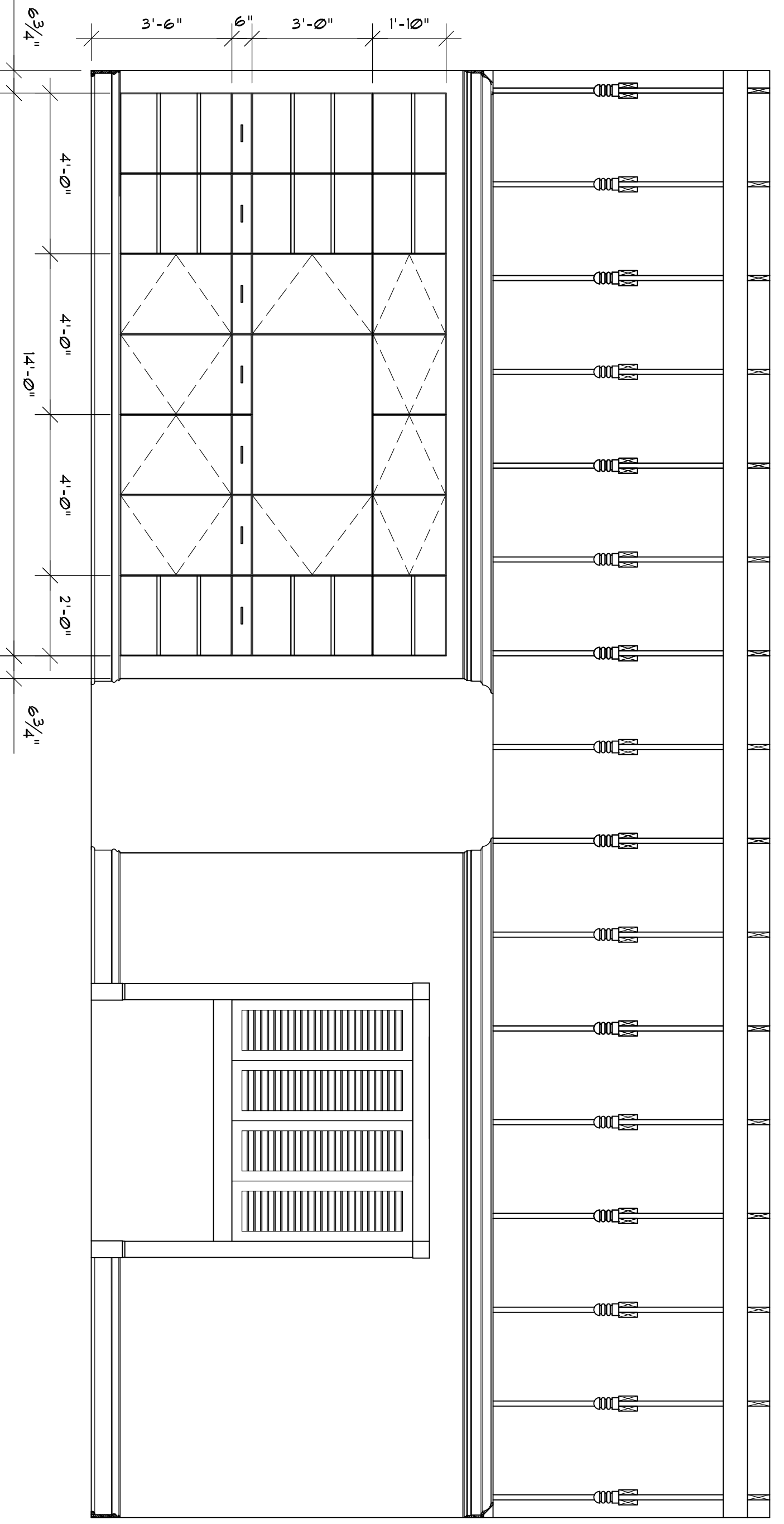
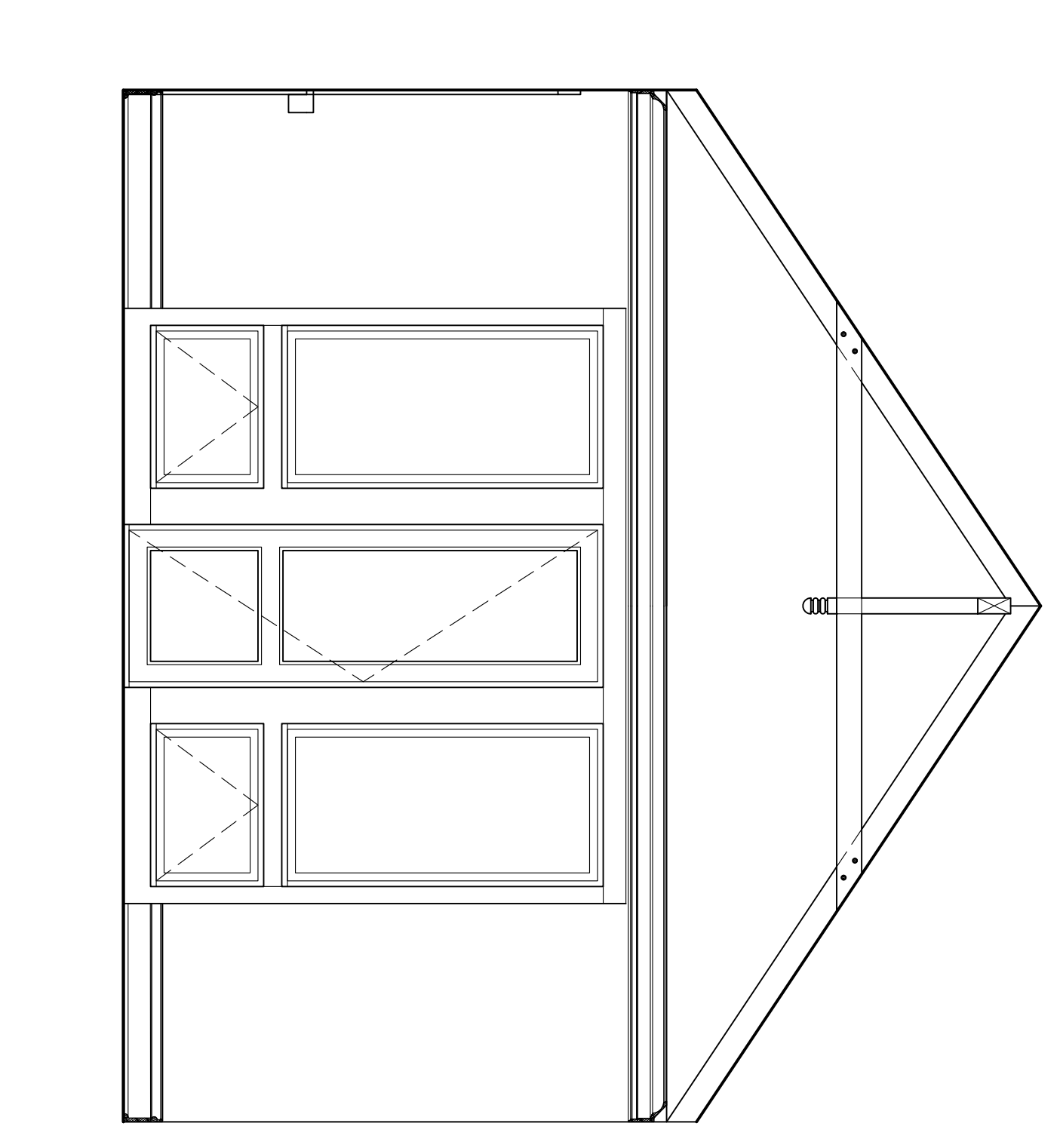
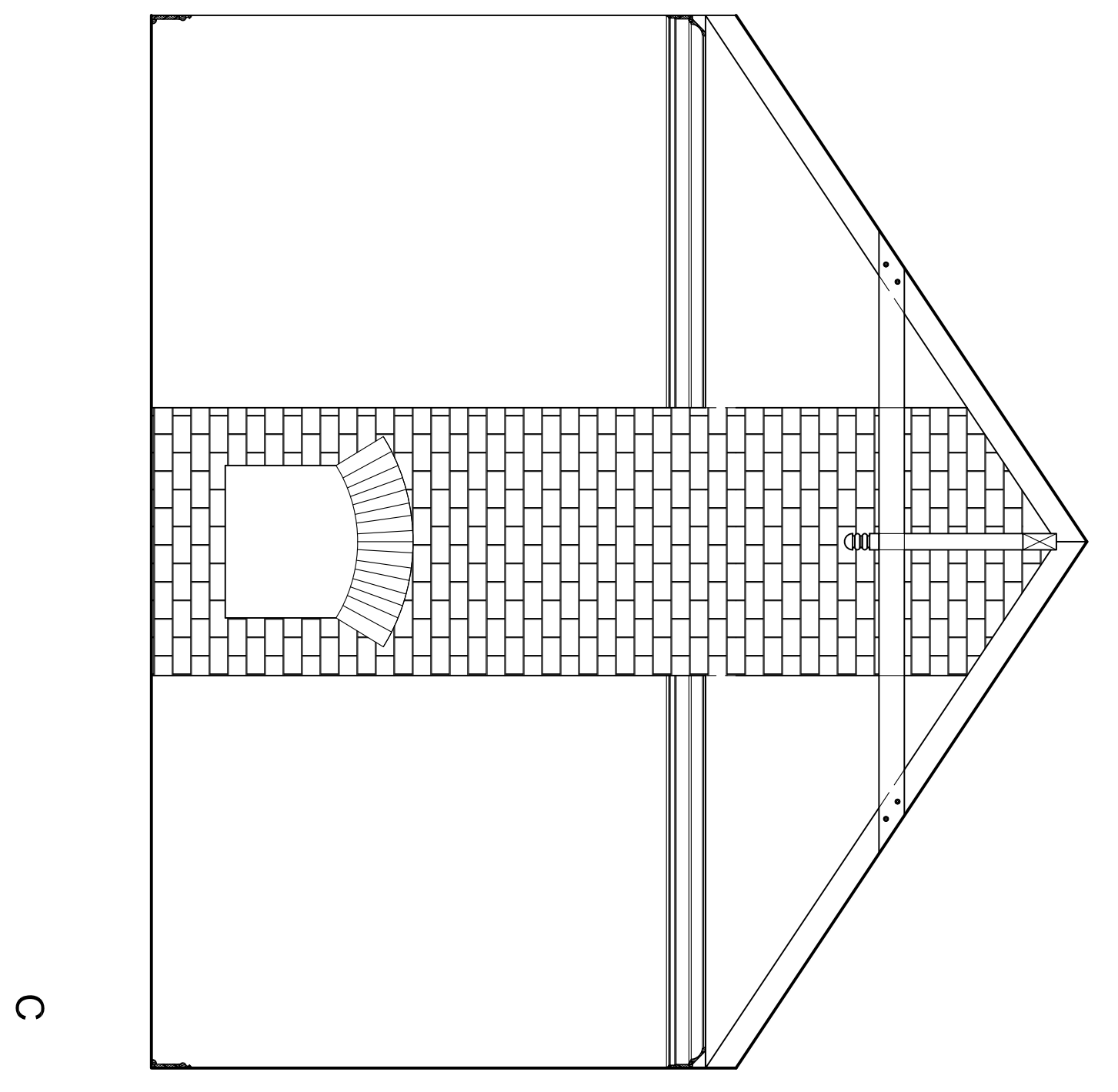
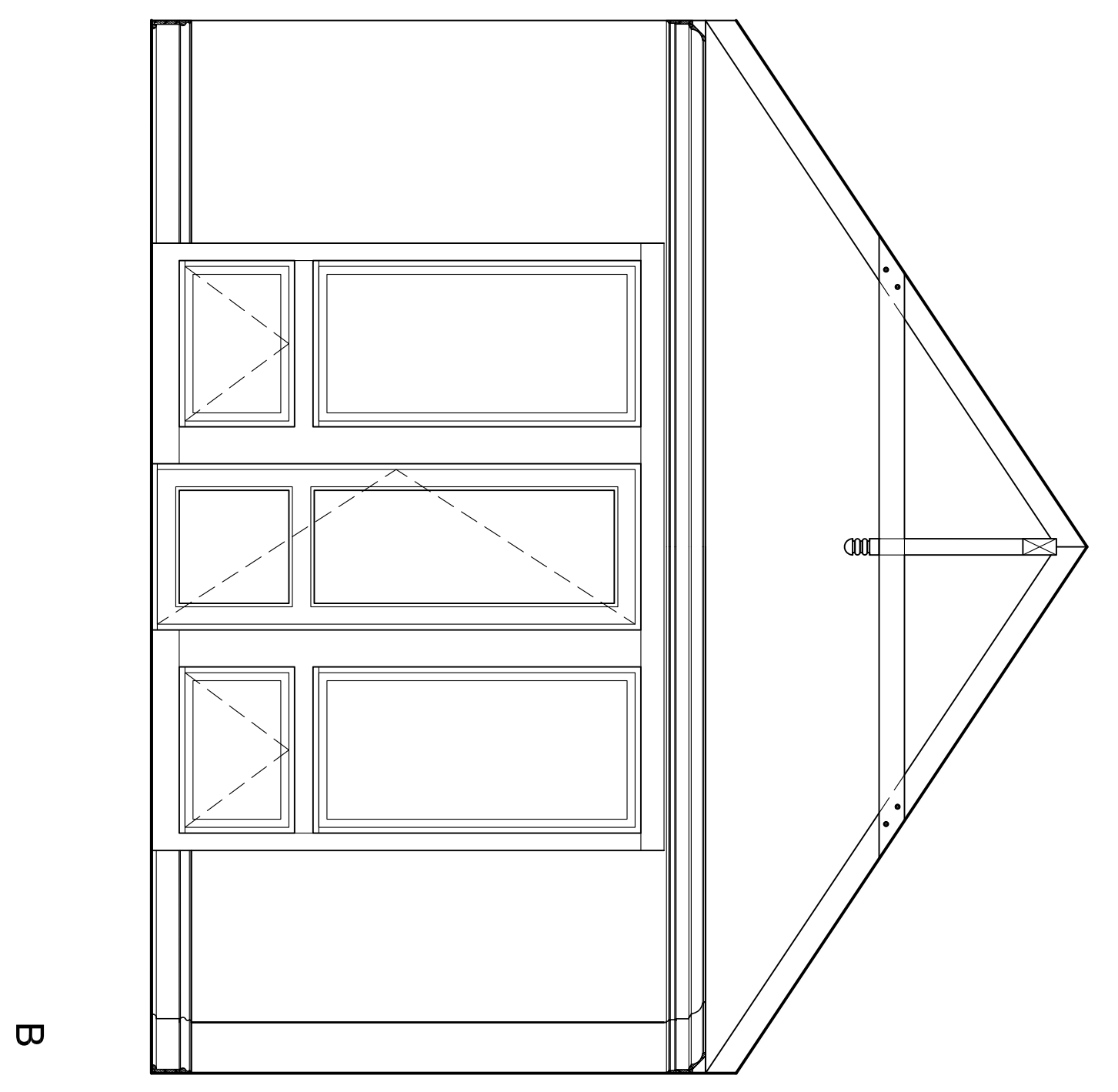
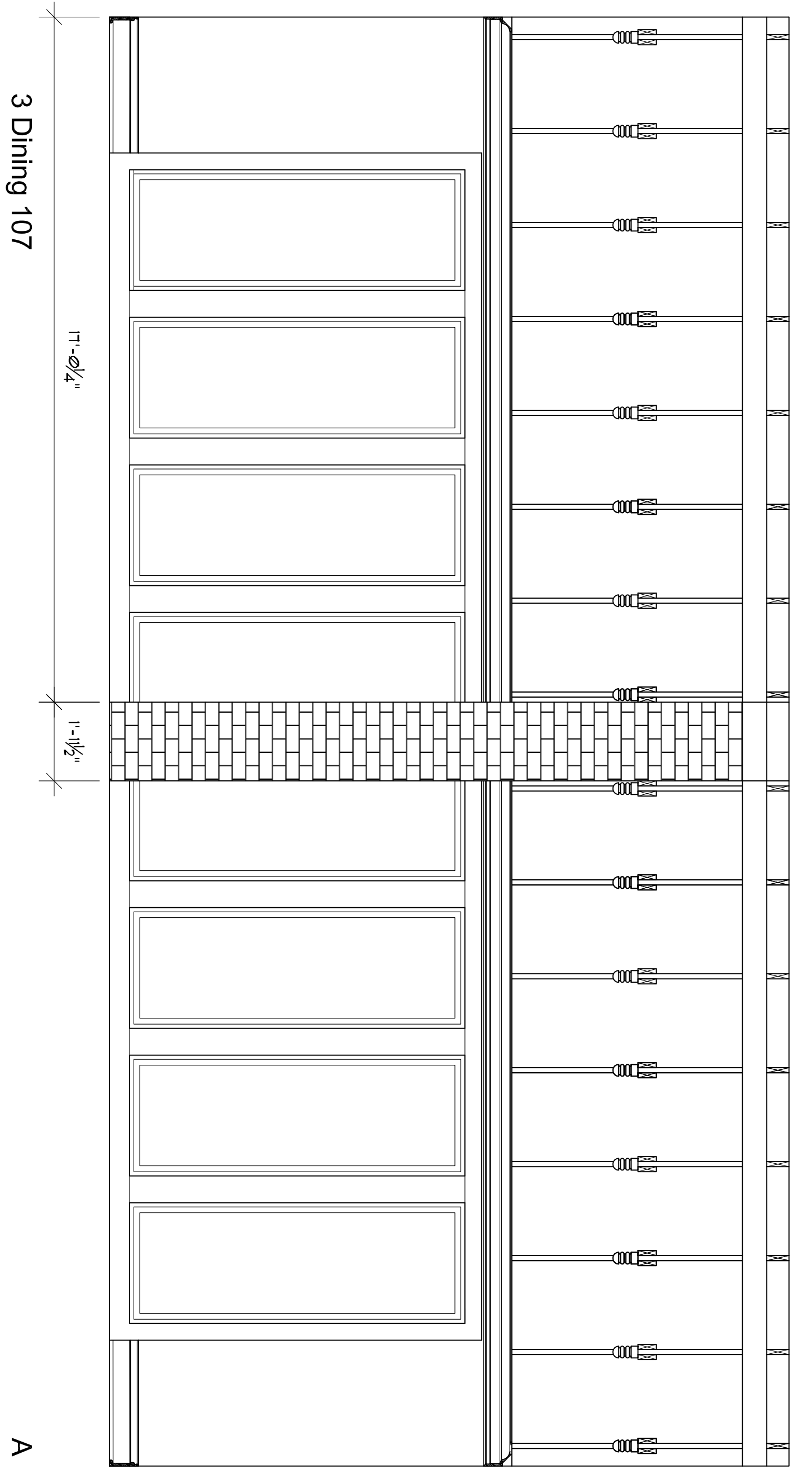
| No. | Date | By |
|-----|------|----|
| | | |
| | | |
| | | |
| | | |

SHEET

A-10

OF TOTAL SHEETS

PROGRESS DRAWINGS FOR PRICING ONLY



Interior Elevations

Scale: 3/8"=1'-0"
 0 1 4" 10' 20'