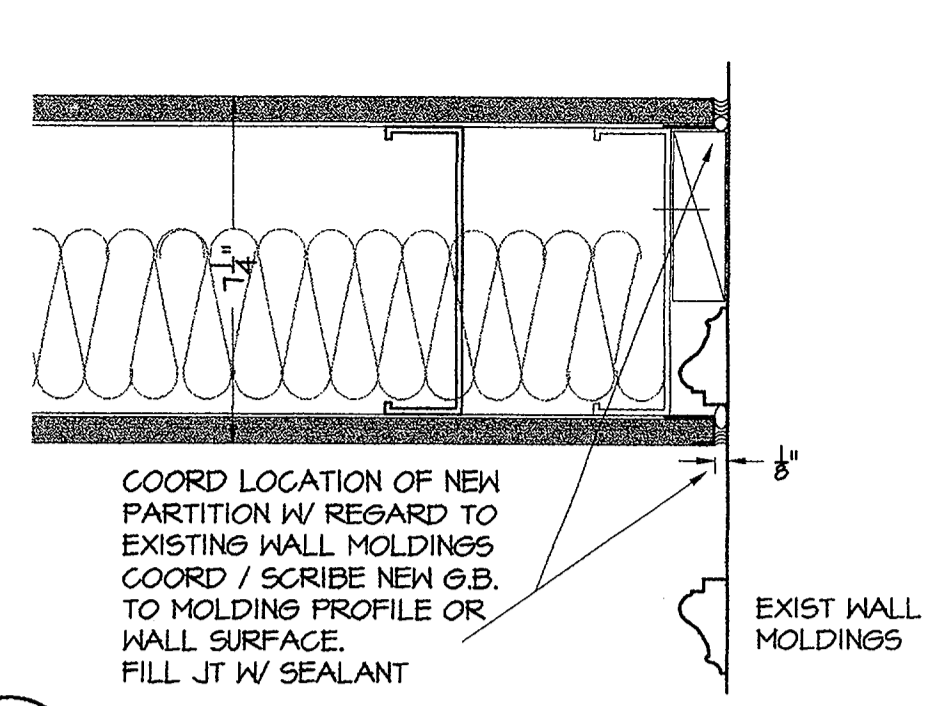
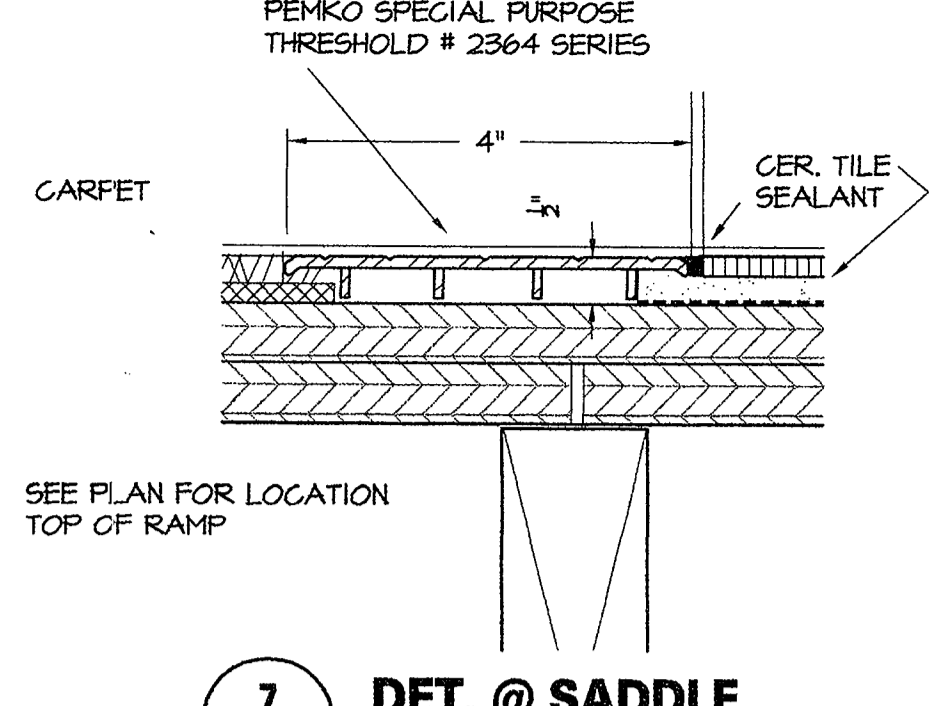


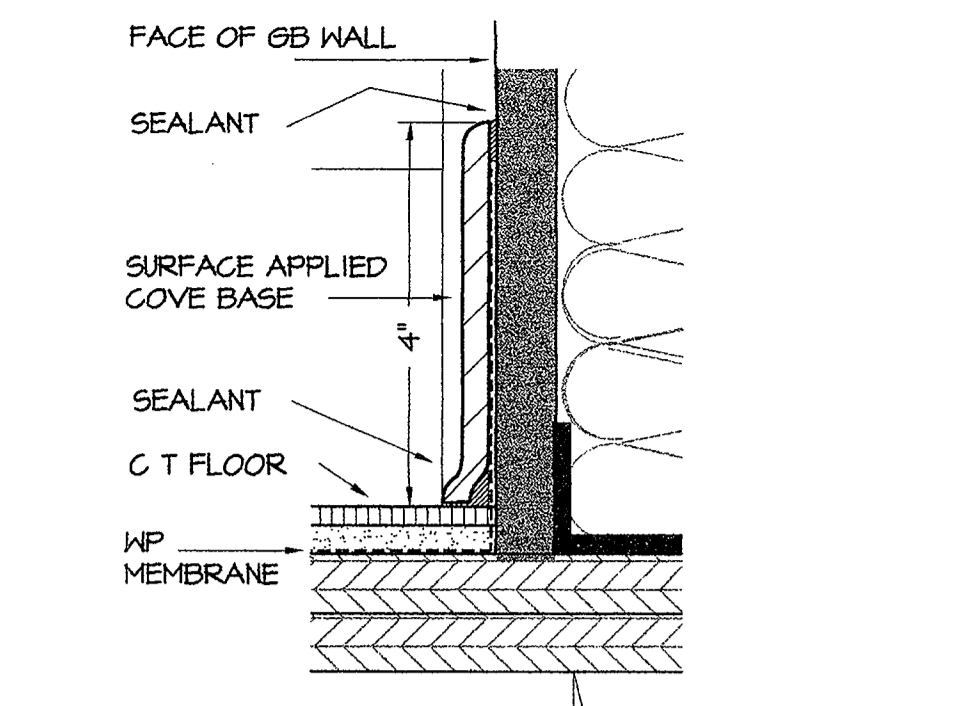
3 DETAIL @ WALL TOP
A2 SCALE: 3" = 1'-0"



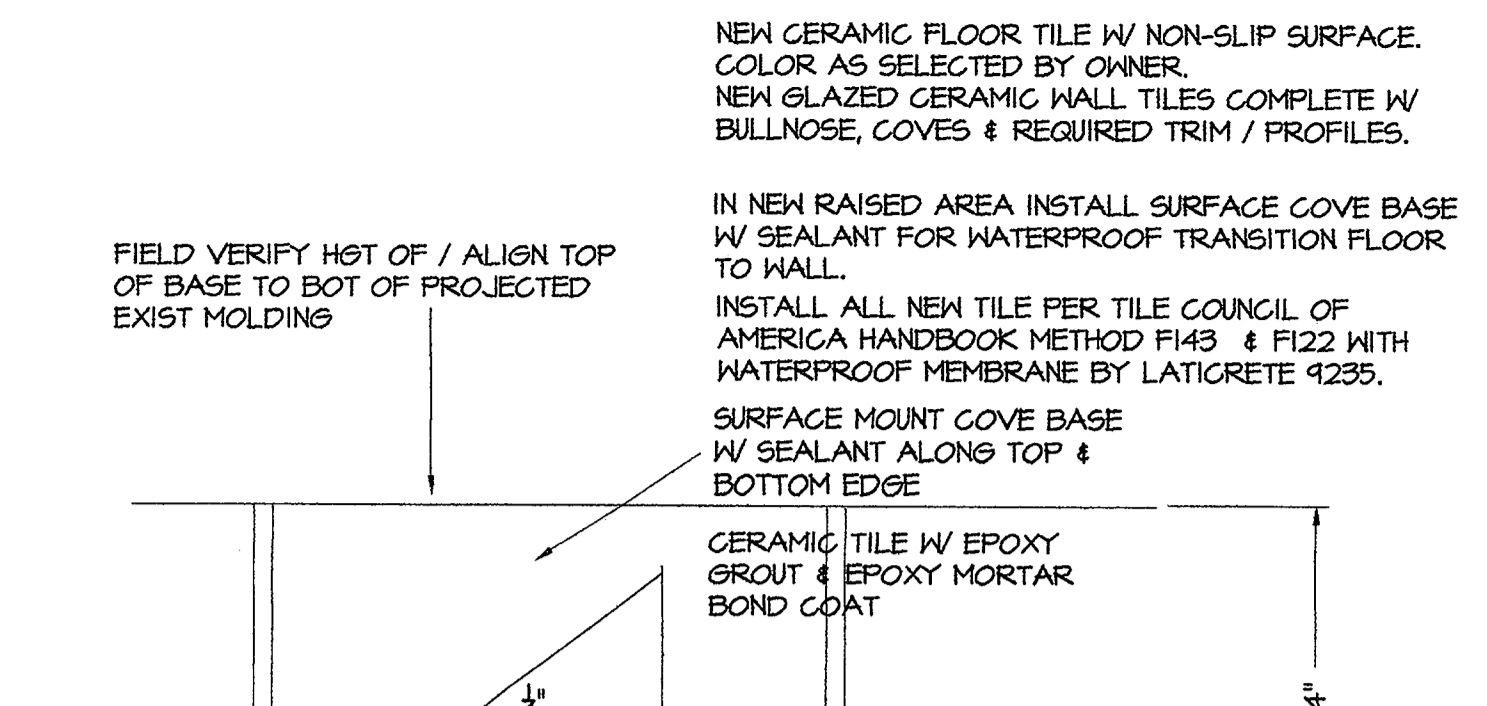
10 DET. PLAN @ WALL INTERSECTION
A2 SCALE: 3" = 1'-0"



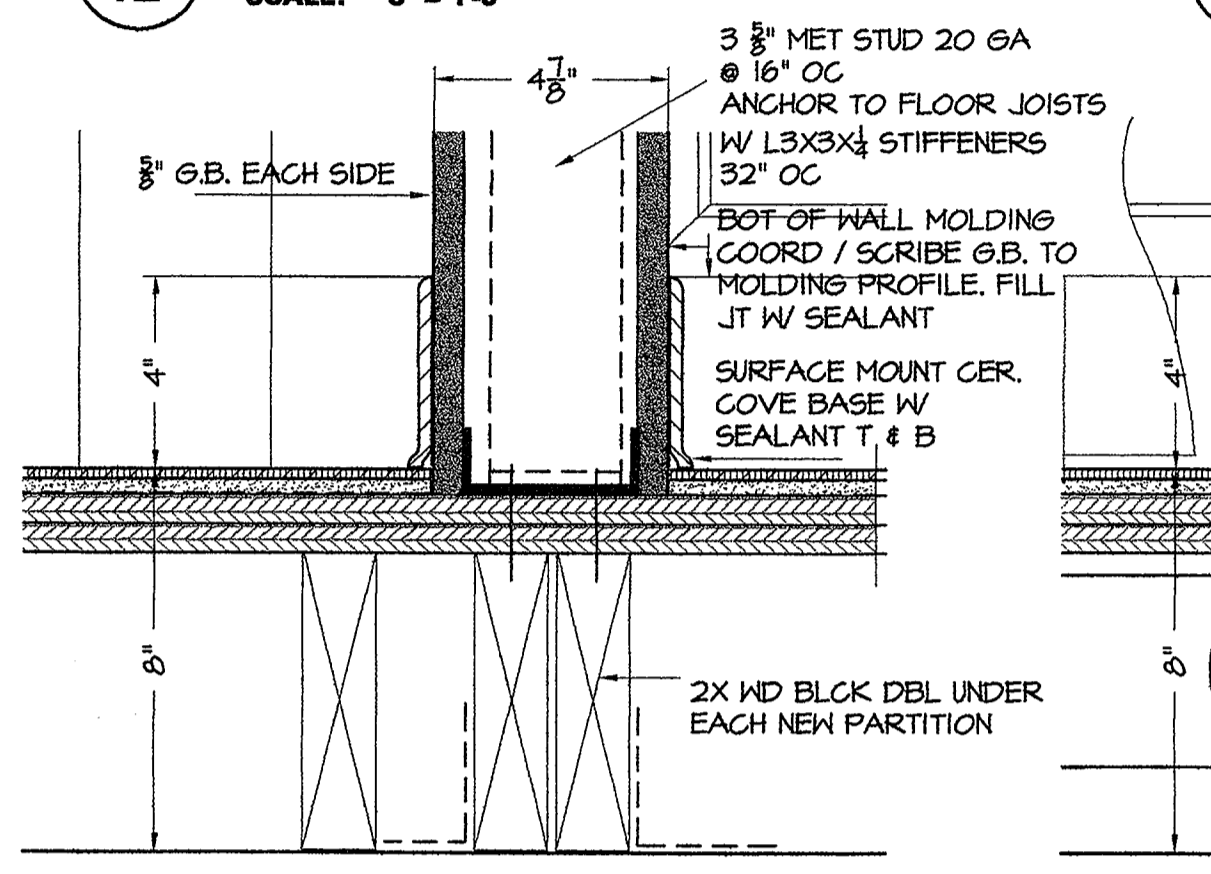
7 DET. @ SADDLE
A2 SCALE: HALF SIZE



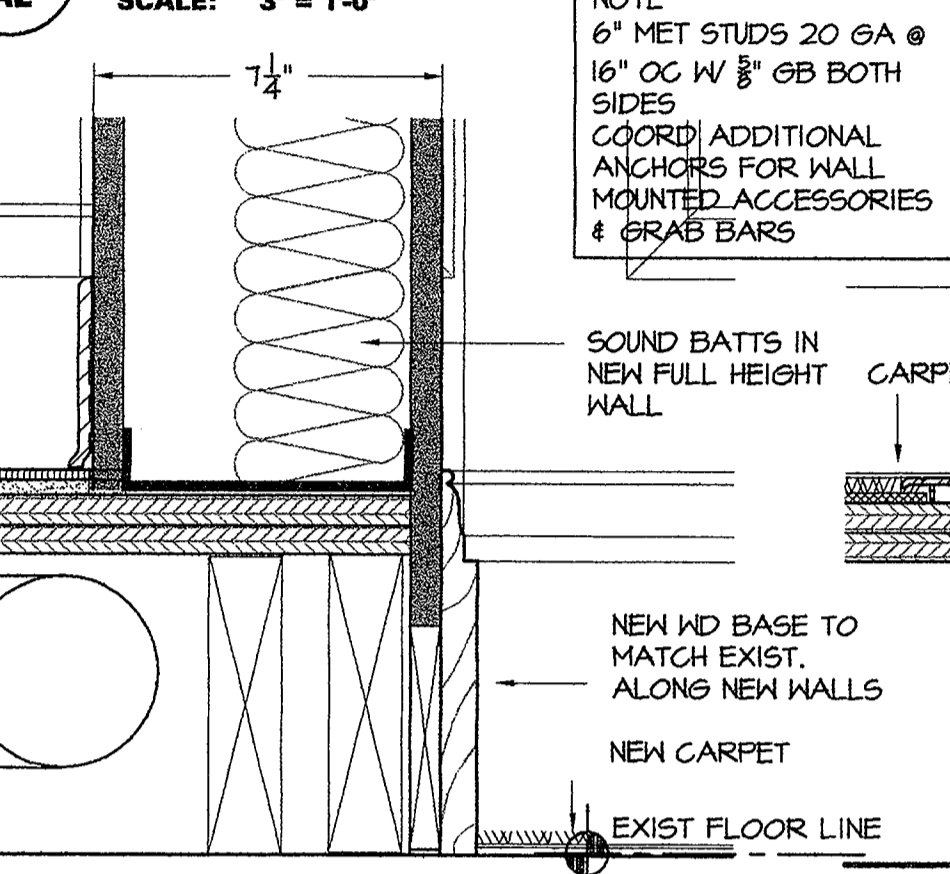
9 DET. @ WALL BASE
A2 SCALE: HALF SIZE



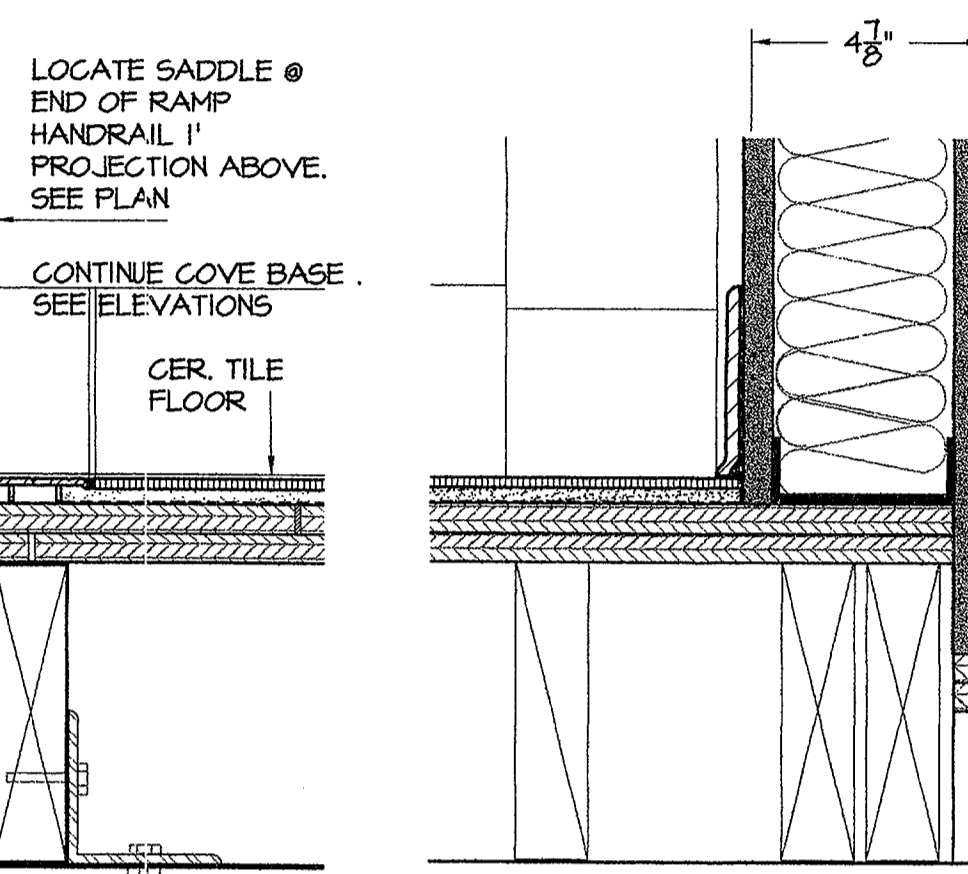
8 DET. @ TYP FLOOR JOIST NEW RAISED FLOOR
A2 SCALE: HALF SIZE



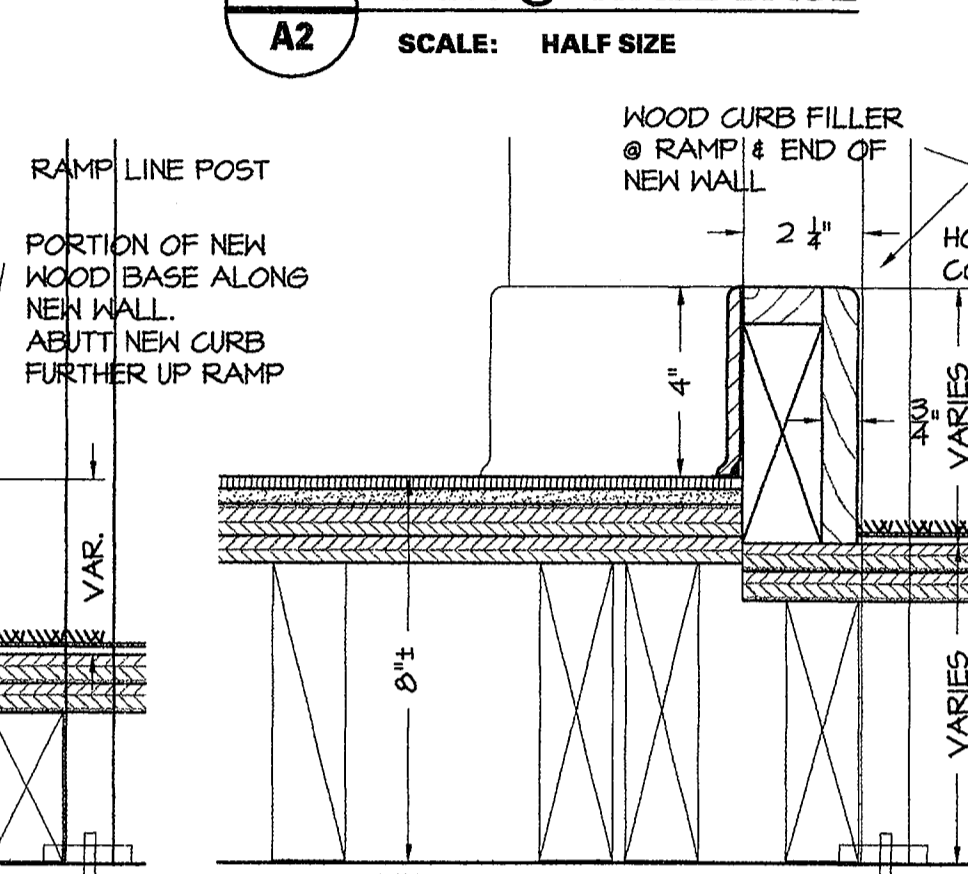
2 DETAIL @ WALL BASE
A2 SCALE: 3" = 1'-0"



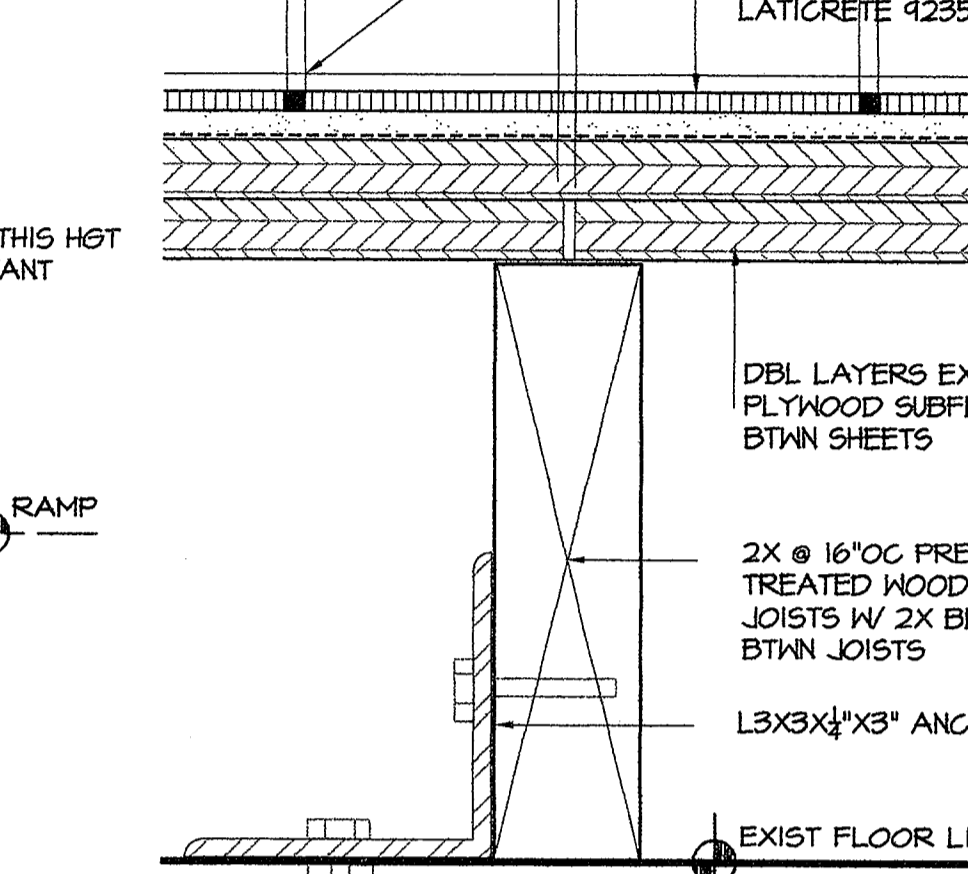
4 DETAIL @ WALL BASE
A2 SCALE: 3" = 1'-0"



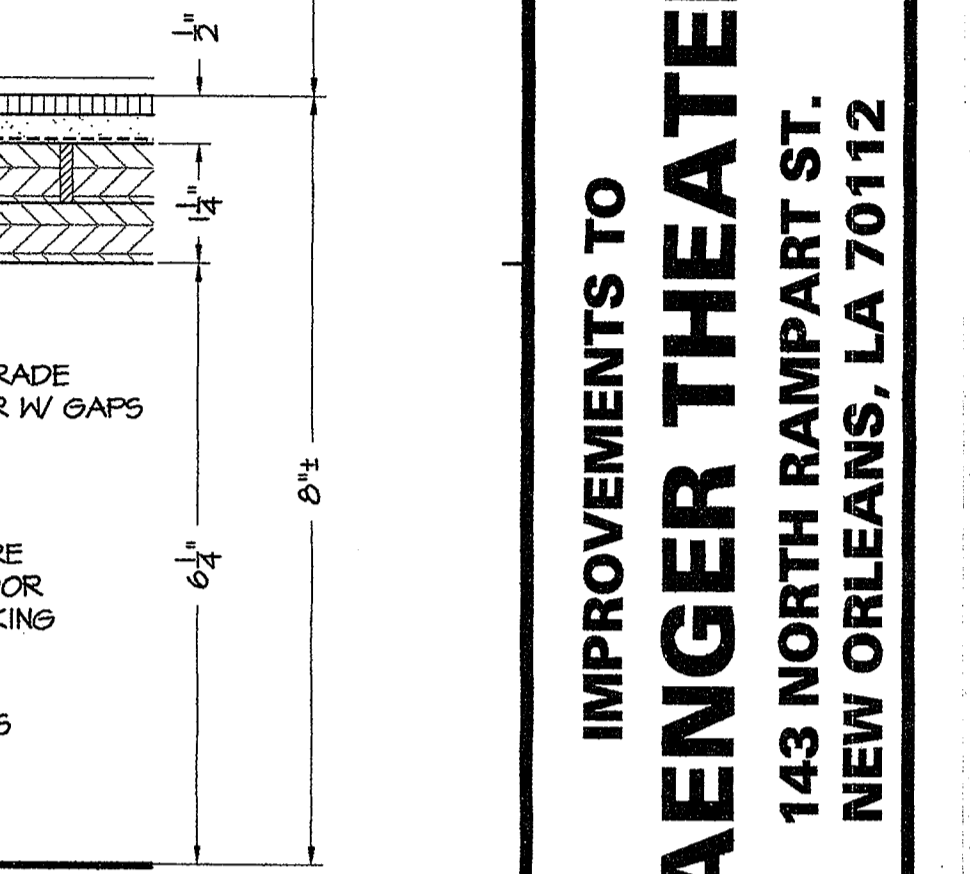
5 DET. @ TRANSITION
A2 SCALE: 3" = 1'-0"



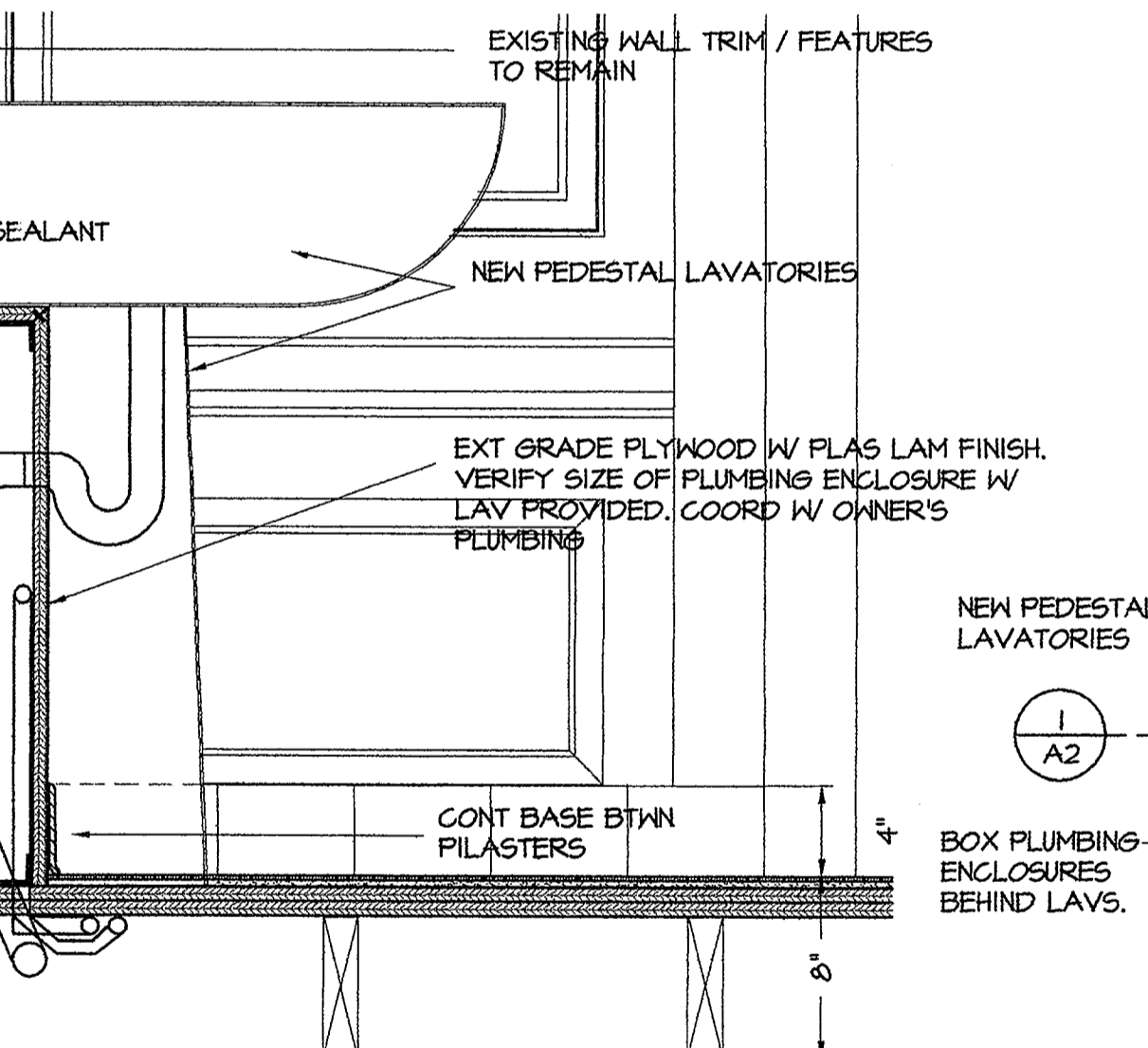
6 DET. @ WALL TO RAMP
A2 SCALE: 3" = 1'-0"



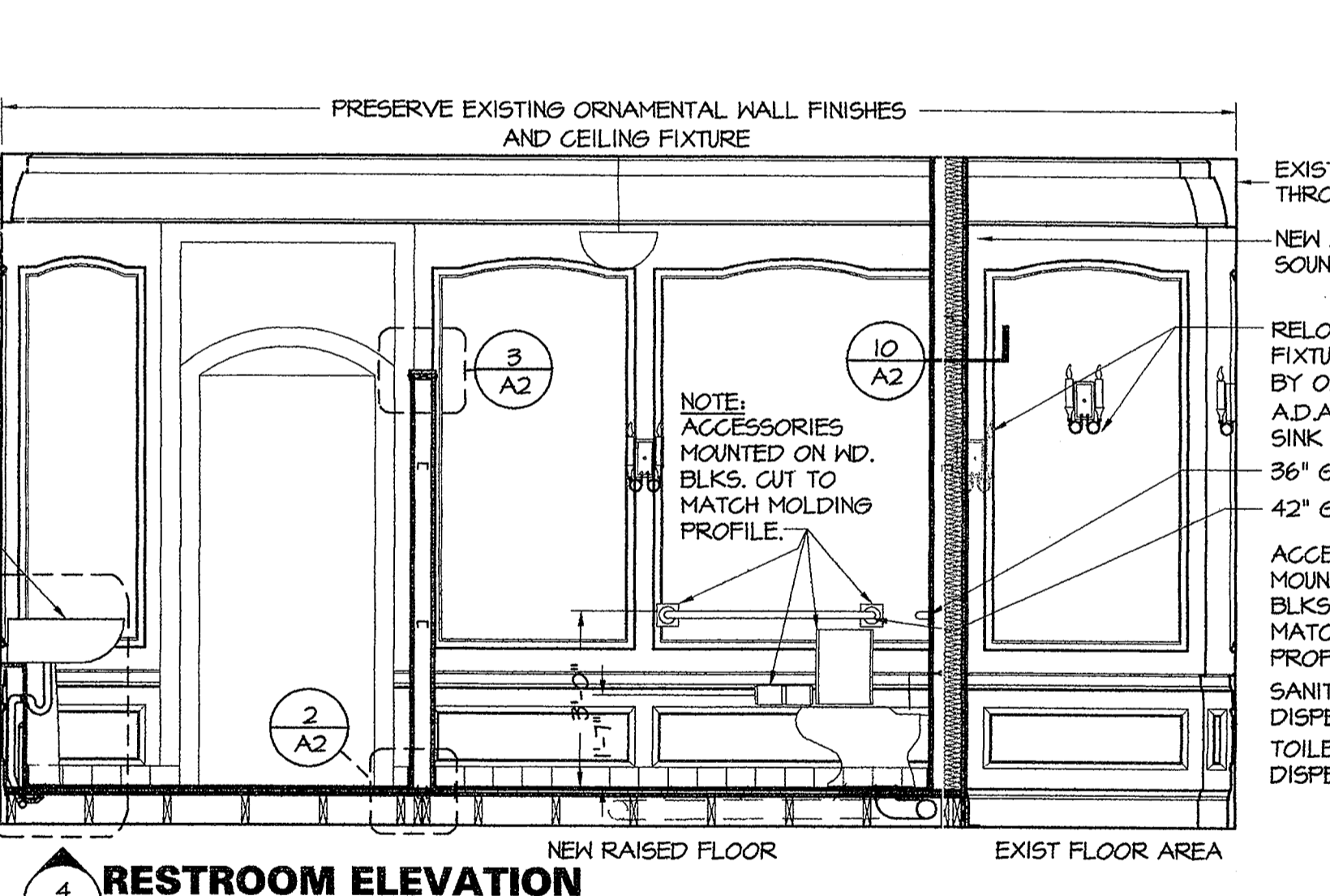
6A DET. @ CURB TO RAMP
A2 SCALE: 3" = 1'-0"



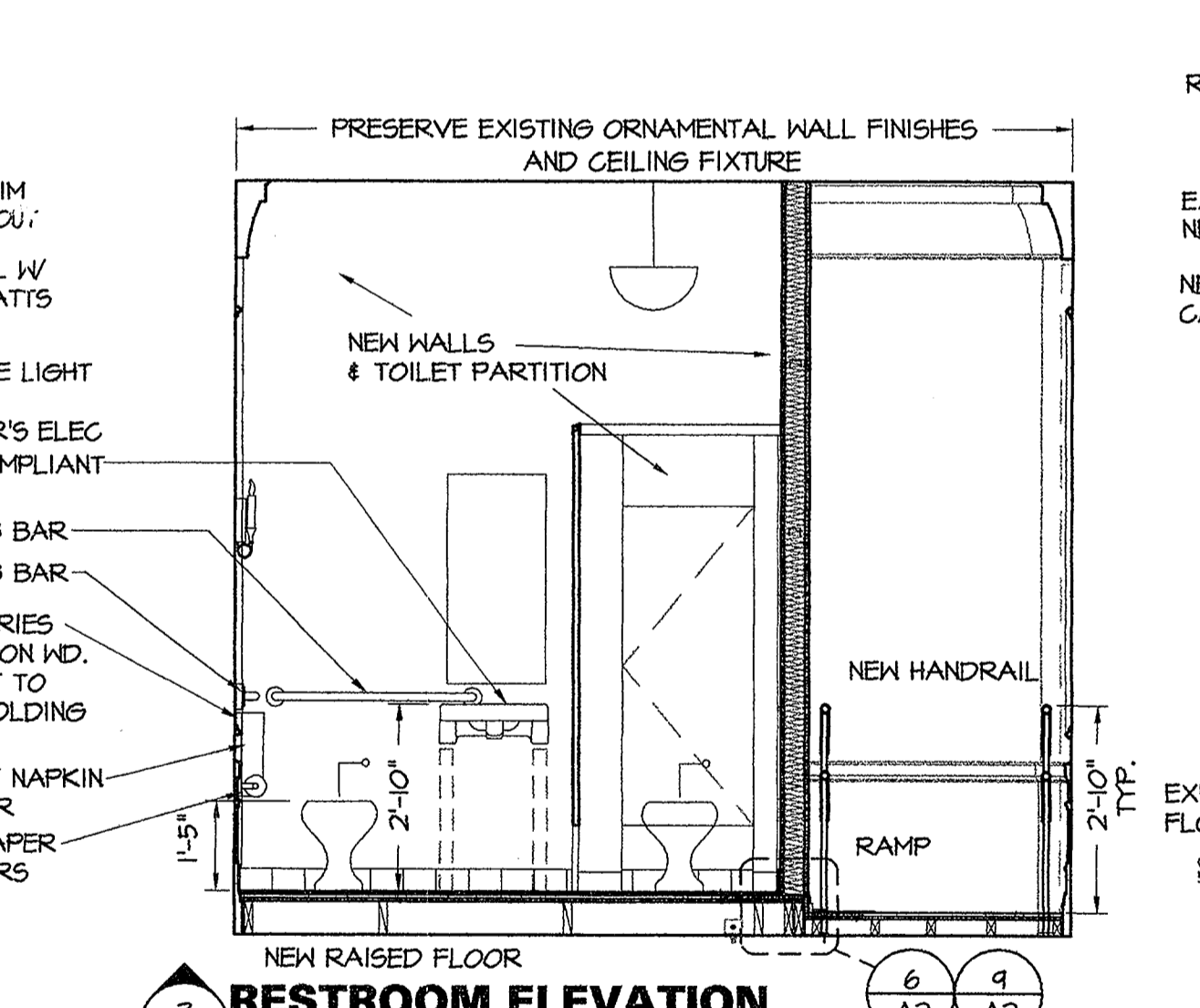
13 DETAIL @ WALL TOP
A2 SCALE: 3" = 1'-0"



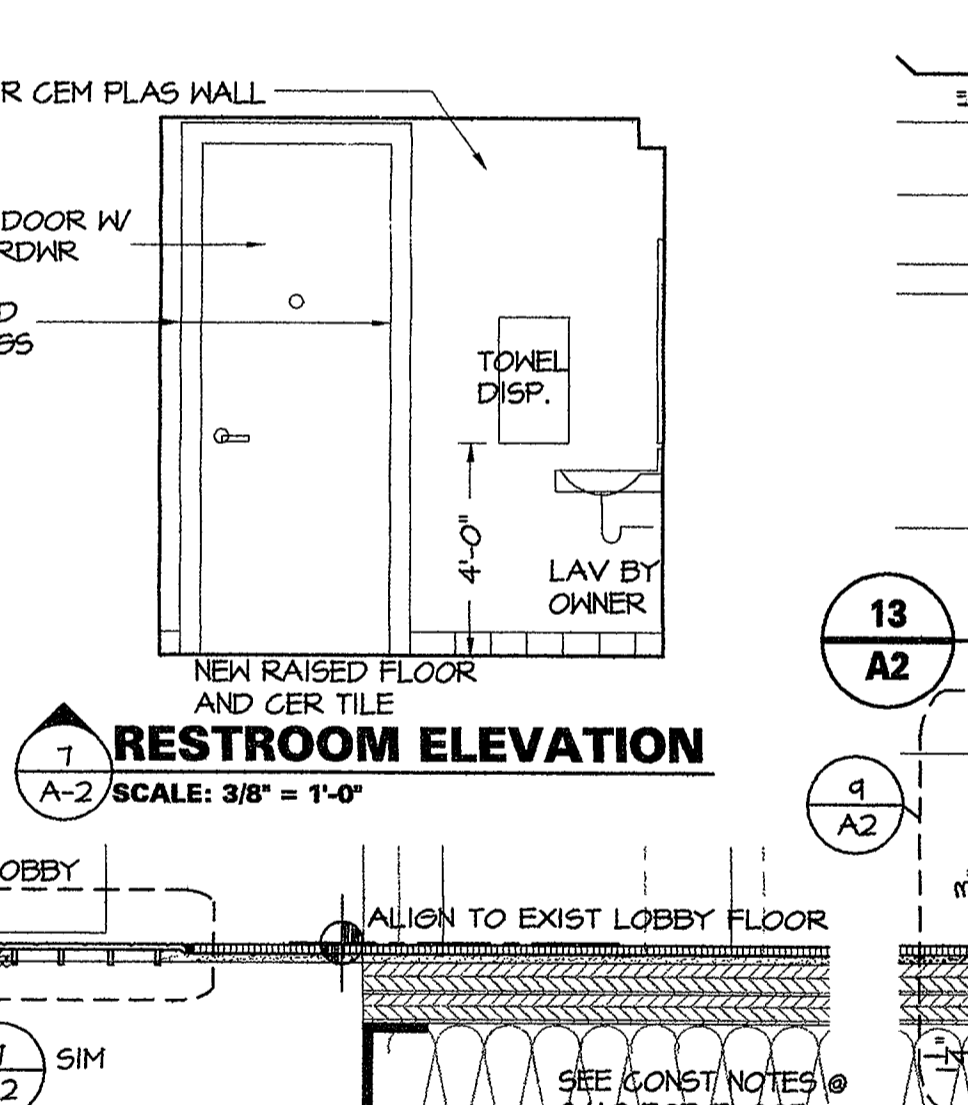
1 DETAIL @ PEDESTAL LAV
A2 SCALE: 1 1/2" = 1'-0"



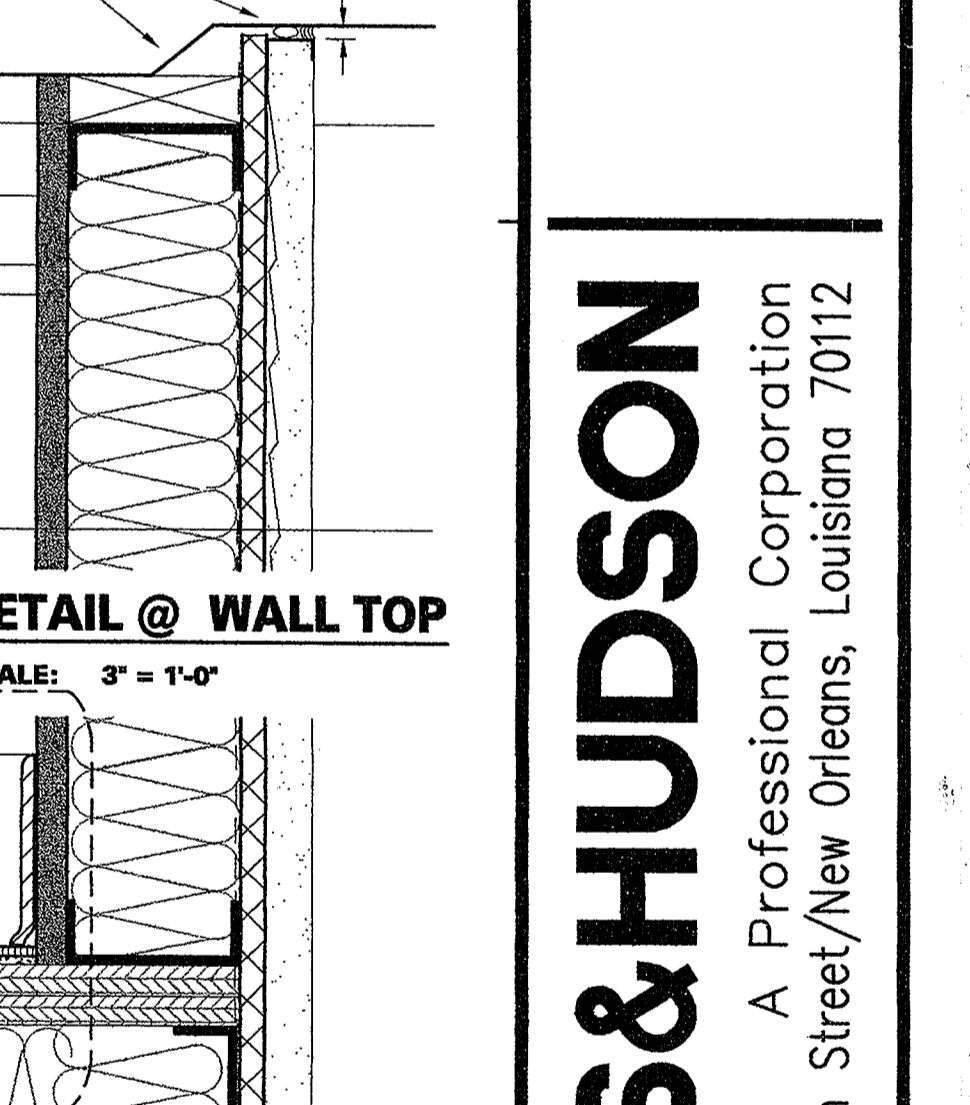
4 RESTROOM ELEVATION
A-2 SCALE: 3/8" = 1'-0"



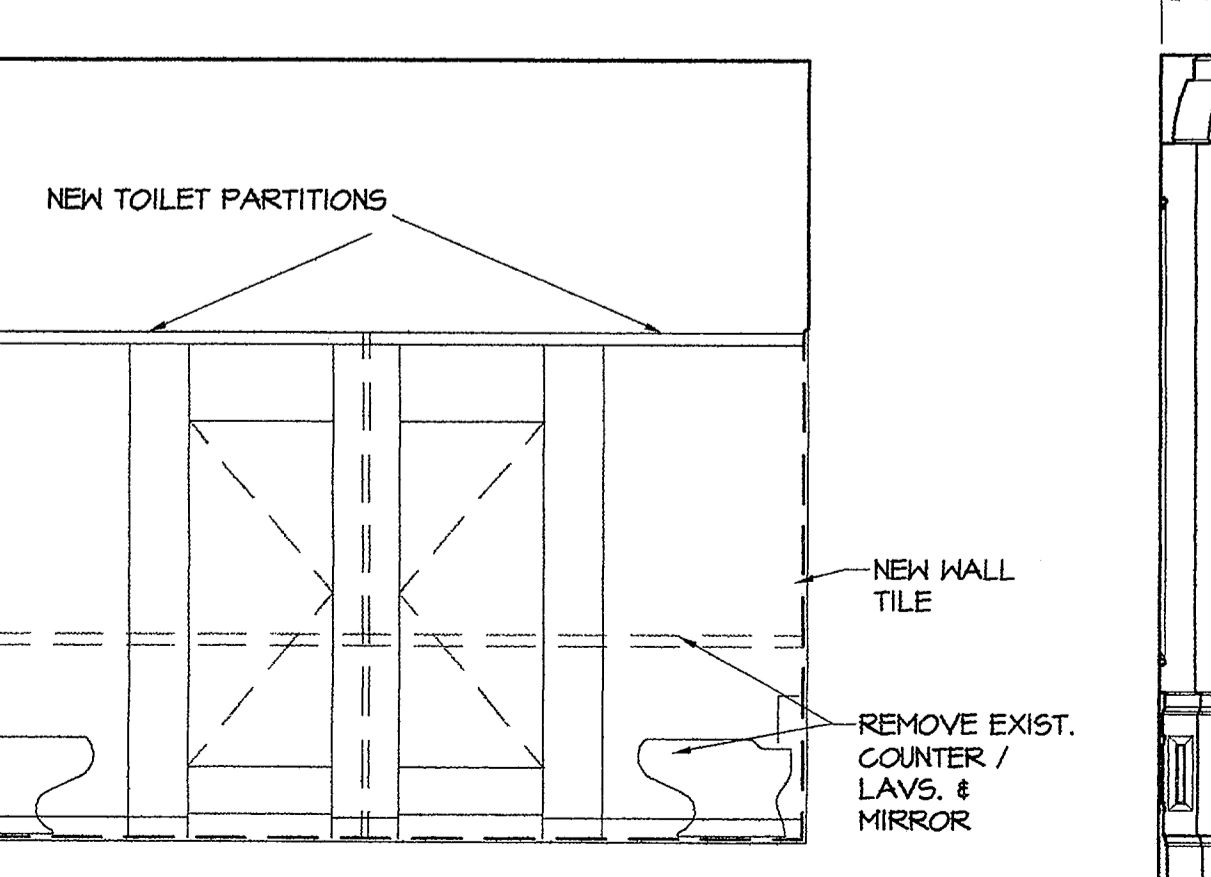
3 RESTROOM ELEVATION
A-2 SCALE: 3/8" = 1'-0"



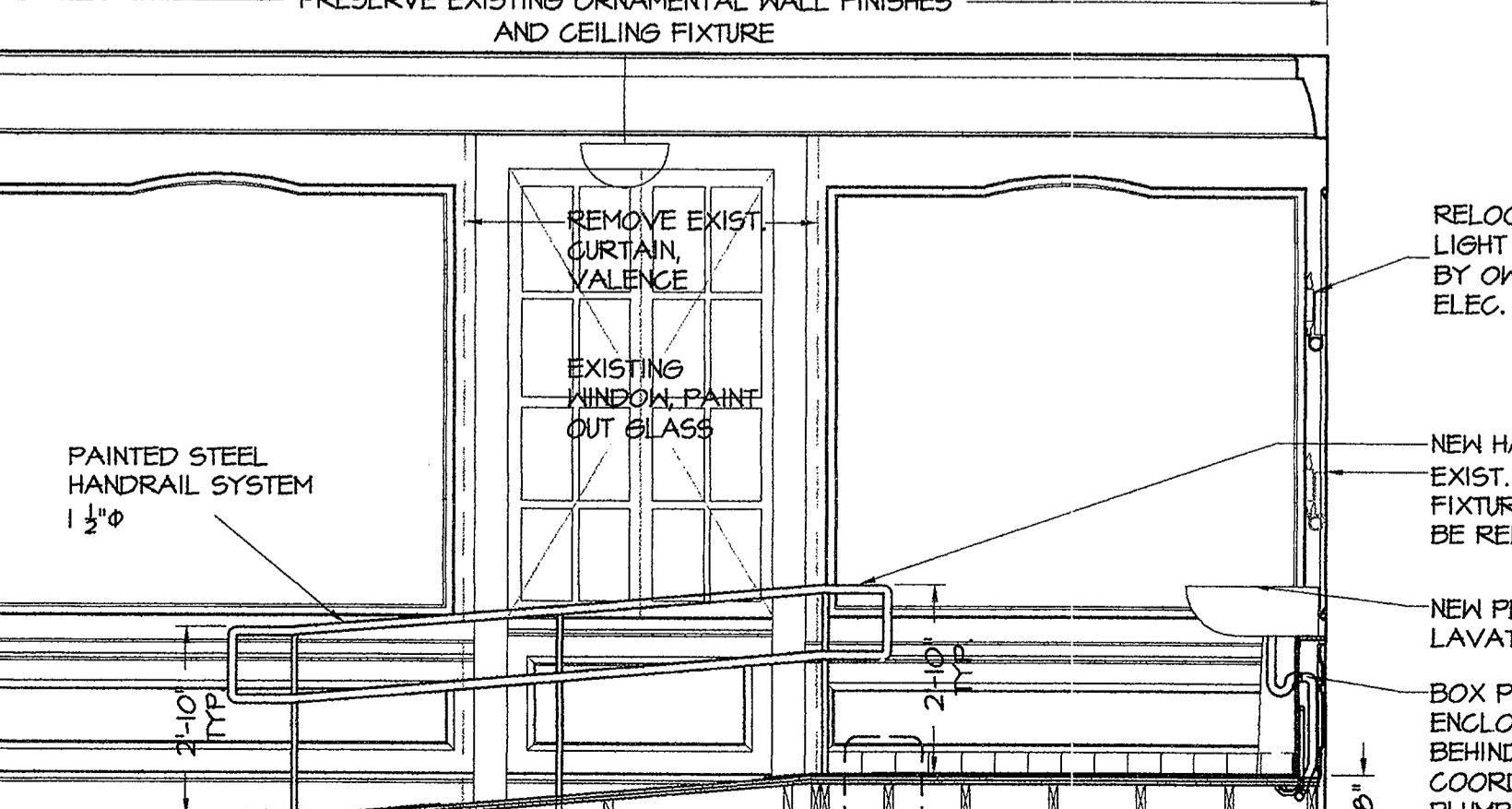
7 RESTROOM ELEVATION
A-2 SCALE: 3/8" = 1'-0"



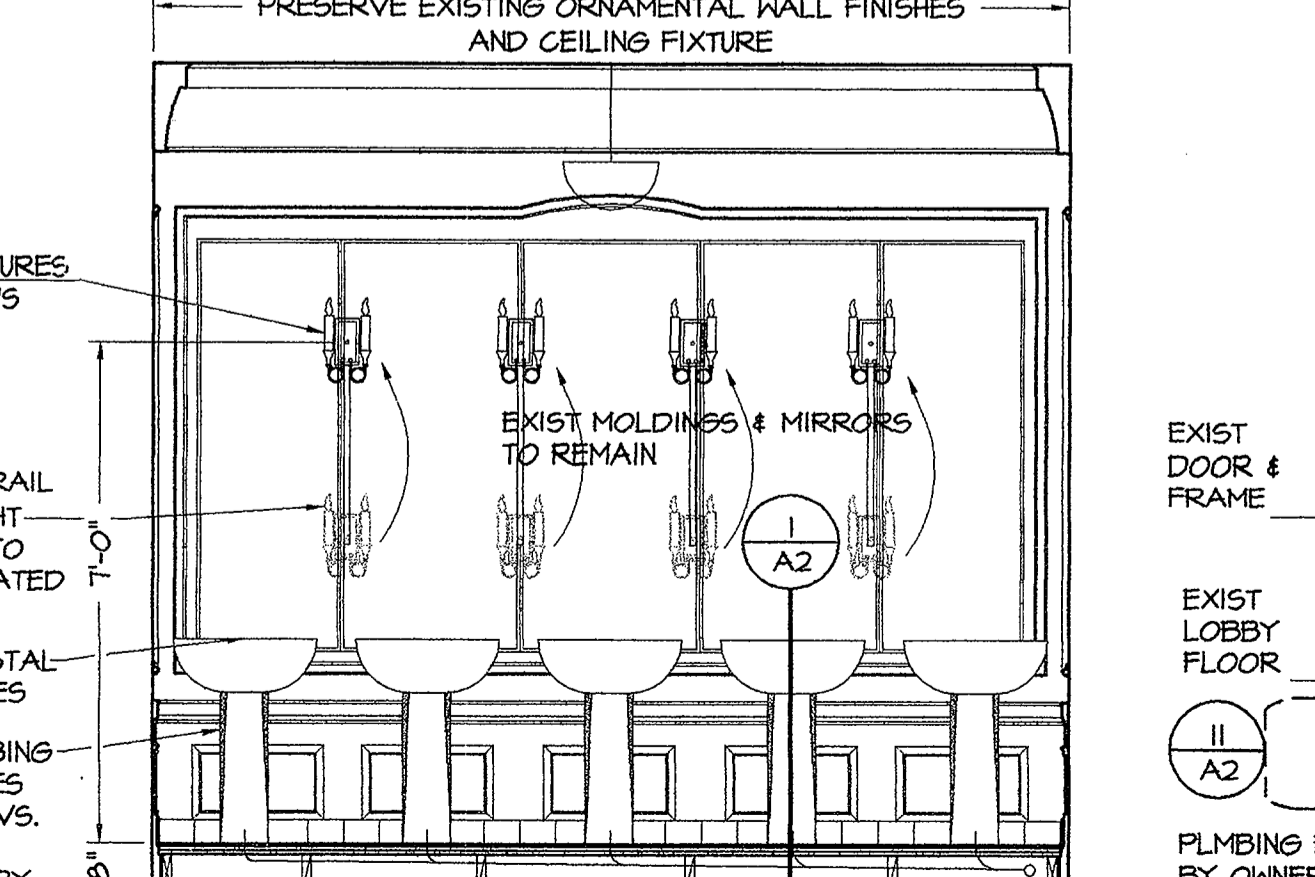
11 DET. @ TRANSITION
A2 SCALE: 3" = 1'-0"



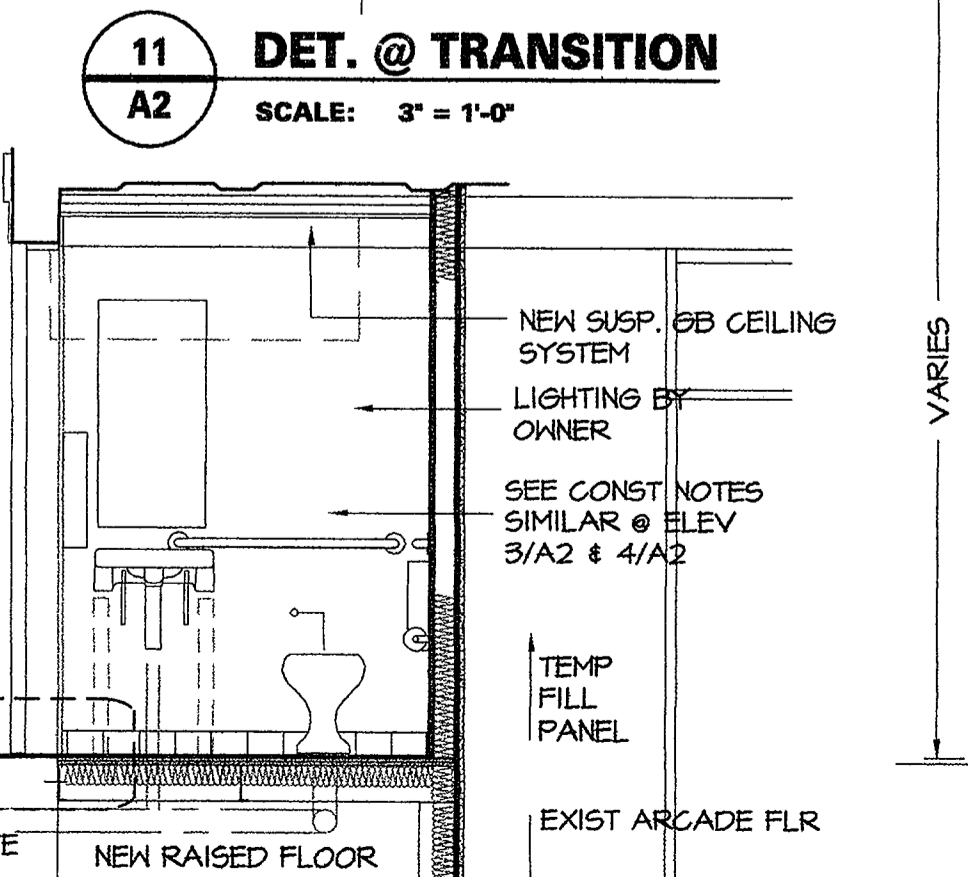
5 RESTROOM ELEVATION
A-2 SCALE: 3/8" = 1'-0"



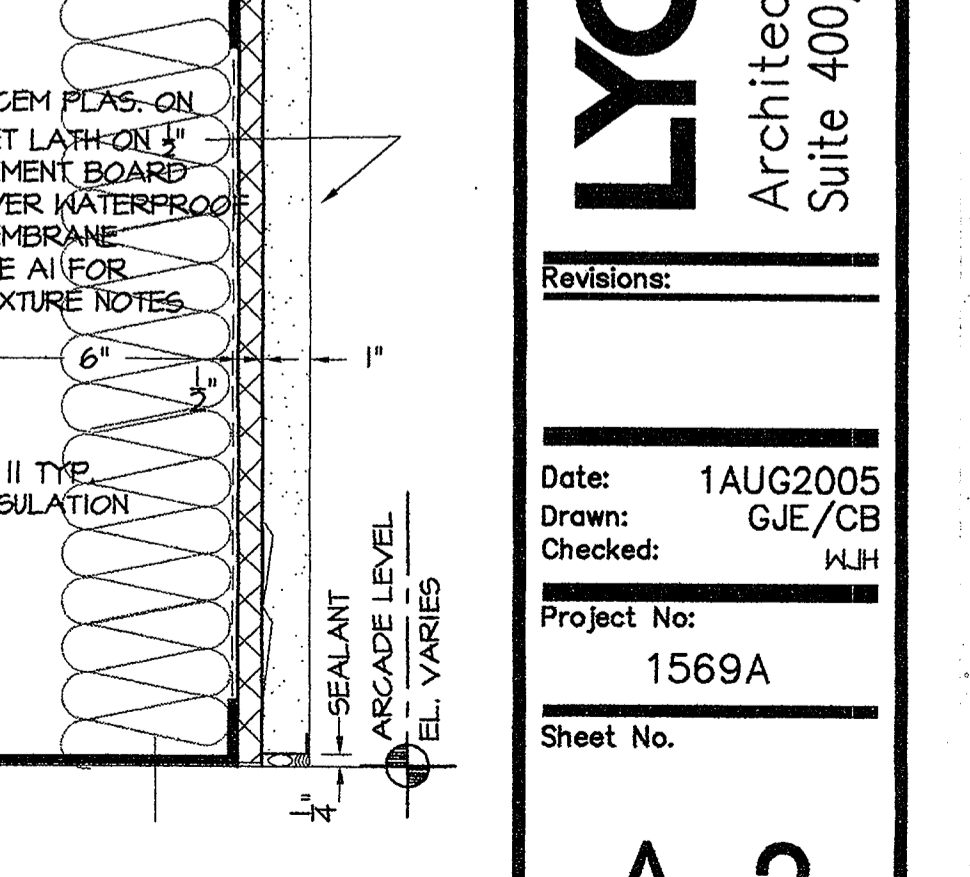
2 RESTROOM ELEVATION
A-2 SCALE: 3/8" = 1'-0"



1 RESTROOM ELEVATION
A-2 SCALE: 3/8" = 1'-0"



6 RESTROOM ELEVATION
A-2 SCALE: 3/8" = 1'-0"



12 DETAIL @ WALL BASE
A2 SCALE: 3" = 1'-0"

IMPROVEMENTS TO
SAENGER THEATER
143 NORTH RAMPART ST.
NEW ORLEANS, LA 70112

LYONS & HUDSON
Architects, Ltd. A Professional Corporation
Suite 400/810 Union Street / New Orleans, Louisiana 70112

Revisions:
Date: 1AUG2005
Drawn: GJE/CB
Checked: WH
Project No: 1569A
Sheet No.