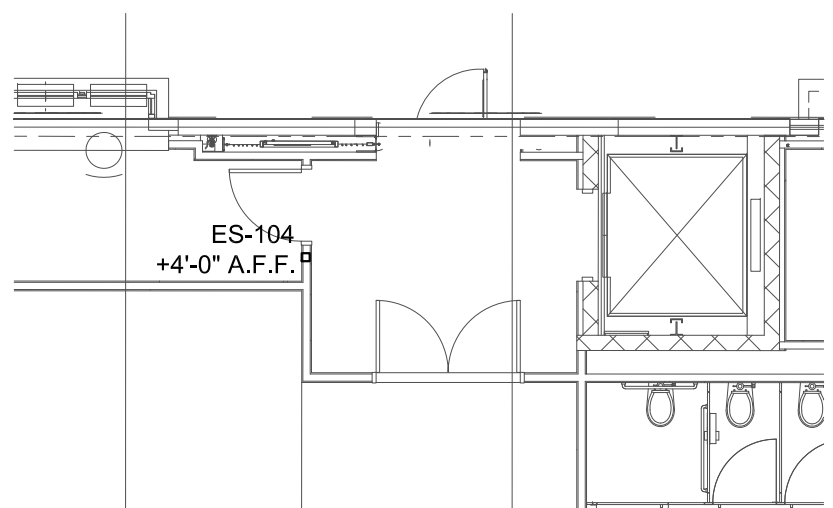


THIS DRAWING INDICATES LIGHTING EQUIPMENT LAYOUT AND DESIGN OF LIGHTING SYSTEMS. REVIEW BY A QUALIFIED ENGINEER IS NECESSARY TO ASSURE SAFETY AND CODE COMPLIANCE.

FOR REFERENCE ONLY
 REFER TO E-SERIES DRAWINGS FOR ELECTRICAL FEEDS, DISCONNECT SWITCHES, CONDUIT, AND WIRE FOR ALL LIGHTING EQUIPMENT. DIVISION 16 CONTRACTOR SHALL PROVIDE AND INSTALL ALL LIGHTING EQUIPMENT AND CONTROL WIRING INDICATED FOR A COMPLETE AND OPERABLE SYSTEM.

PRELIMINARY
 NOT FOR CONSTRUCTION



2 BOX OFFICE PLAN
 TL-1.02 SCALE: 1/8" = 1'-0"

GENERAL NOTES:

- A. INSTALLATION SHALL CONFORM TO ALL APPLICABLE NEC, UL, STATE AND LOCAL CODES.
- B. ALL EMERGENCY EGRESS LIGHTING IS THE RESPONSIBILITY OF THE ELECTRICAL ENGINEER OR ELECTRICAL CONTRACTOR.
- C. ALL DIMMING CIRCUITS ARE TWO-WIRE. NO COMMON NEUTRALS SHALL BE USED.

KEYED NOTES:

- 1. PROVIDE DEDICATED 20AMP 120V DUPLEX RECEPTACLE AT EACH LOCATION NOTED FOR LIGHTING EQUIPMENT.
- 2. INDEX STRIP LIGHT PROVIDED AND INSTALLED BY STAGE RIGGING CONTRACTOR. ELECTRICAL CONTRACTOR SHALL PROVIDE AND INSTALL 1000W WALL BOX DIMMER MOUNTED AT +4'-0" A.F.F. CONNECTED TO A JUNCTION BOX AT +10'-0" A.F.F. THE INDEX STRIP LIGHT WILL INCLUDE A FLEXIBLE WHIP FOR CONNECTION TO THE JUNCTION BOX. ALL ELECTRICAL CONNECTIONS BY ELECTRICAL CONTRACTOR.
- 3. NOT USED.
- 4. PROVIDE TELEPHONE AND DATA RECEPTACLES PER ELECTRICAL ENGINEER AT EACH LOCATION NOTED. VERIFY MOUNTING CONDITIONS. RECEPTACLES AT CENTER OF AUDITORIUM WILL REQUIRE FLUSH FLOOR BOX.
- 5. PROVIDE DEDICATED 30AMP 220V NEMA L6-30R RECEPTACLE AT EACH LOCATION NOTED FOR FOLLOW SPOT.

THE SAENGER THEATRE RENEWAL PROJECT

142 North Rampart Street
 New Orleans, LA

Client
 Saenger Theatre Redevelopment Company
 200 West Loop South, Suite
 1040 Houston TX 77027

Architect
MARTINEZ+JOHNSON
 ARCHITECTURE

1412 Eye St., NW
 Washington, DC 20005
 202.333.4480

Structural Engineer
 Shawn J. Franke, P.E.
 549 Helmer Road San
 Antonio TX 78232
 210.979.7900

Theatre Consultant
 Schuler Shook
 123 Third Street North #210
 Minneapolis, MN 55401
 612.339.9958

Acoustical Engineer
 Akustiks
 93 North Main Street South
 Norwalk, CT 06854
 202.299.1504

MEP Engineer
 JBA Consulting Engineers, Inc.
 3525 N. Causeway Blvd., Suite
 500 Metairie, LA 70002
 504.830.0139

Civil Engineer
 Linfield, Hunter, & Junius, Inc.
 3608 18th Street Suite 200
 Metairie, LA 70002
 504.833.5300

Architectural Historian
 EHT Traceries, Inc.
 1121 Fifth Street NW
 Washington, DC 20001
 202.393.1199

THEATRE PLANNERS LIGHTING DESIGNERS
 Schuler Shook

THESE DRAWINGS, SPECIFICATIONS, AND OTHER DOCUMENTS, COLLECTIVELY, THE "DOCUMENTS" INCLUDING WITHOUT LIMITATION ELECTRONIC VERSIONS THEREOF AND THE IDEAS, DESIGNS, AND ARRANGEMENTS REPRESENTED THEREBY, ARE AND SHALL REMAIN THE PROPERTY OF MARTINEZ & JOHNSON ARCHITECTURE P.C. AS DEFINED BY APPLICABLE CONTRACTUAL AGREEMENTS ("THE AGREEMENTS") AND AS PROTECTED BY THE COPYRIGHT STATUTES OF THE UNITED STATES. USE OF THE DOCUMENTS SHALL BE STRICTLY LIMITED TO THE PROJECT FOR WHICH THEY WERE PREPARED AND DEVELOPED ("THE PROJECT") PER THE TERMS OF THE AGREEMENTS. NO PART OF THE DOCUMENTS SHALL BE COPIED, DISCLOSED TO OTHERS, OR USED IN CONNECTION WITH ANY OTHER WORK OR PROJECT, OR BY ANY OTHER PERSONS FOR ANY PURPOSES, OTHER THAN THE COMPLETION OF THE PROJECT, WITHOUT THE SPECIFIC WRITTEN AUTHORIZATION OF MARTINEZ & JOHNSON ARCHITECTURE P.C. THE DOWNLOADING, OPENING, OR VIEWING OF ELECTRONIC VERSIONS OF THE DOCUMENTS OR VISUAL CONTACT WITH ANY PRINTED FORM THEREOF SHALL CONSTITUTE CONCLUSIVE EVIDENCE OF ACCEPTANCE OF THESE RESTRICTIONS.

DATE:	No.:	ISSUE:
02.19.10	1	PERMIT SET
04.02.10	2	GMP CONTRACT SET
11.11.10	-	CONTRACT SET

DATE:	No.:	REVISION:

SHEET TITLE:
ORCHESTRA LEVEL THEATRICAL LIGHTING PLAN

TL-1.02

1 THEATRICAL LIGHTING PLAN - ORCHESTRA LEVEL
 TL-1.02 SCALE: 1/8" = 1'-0"