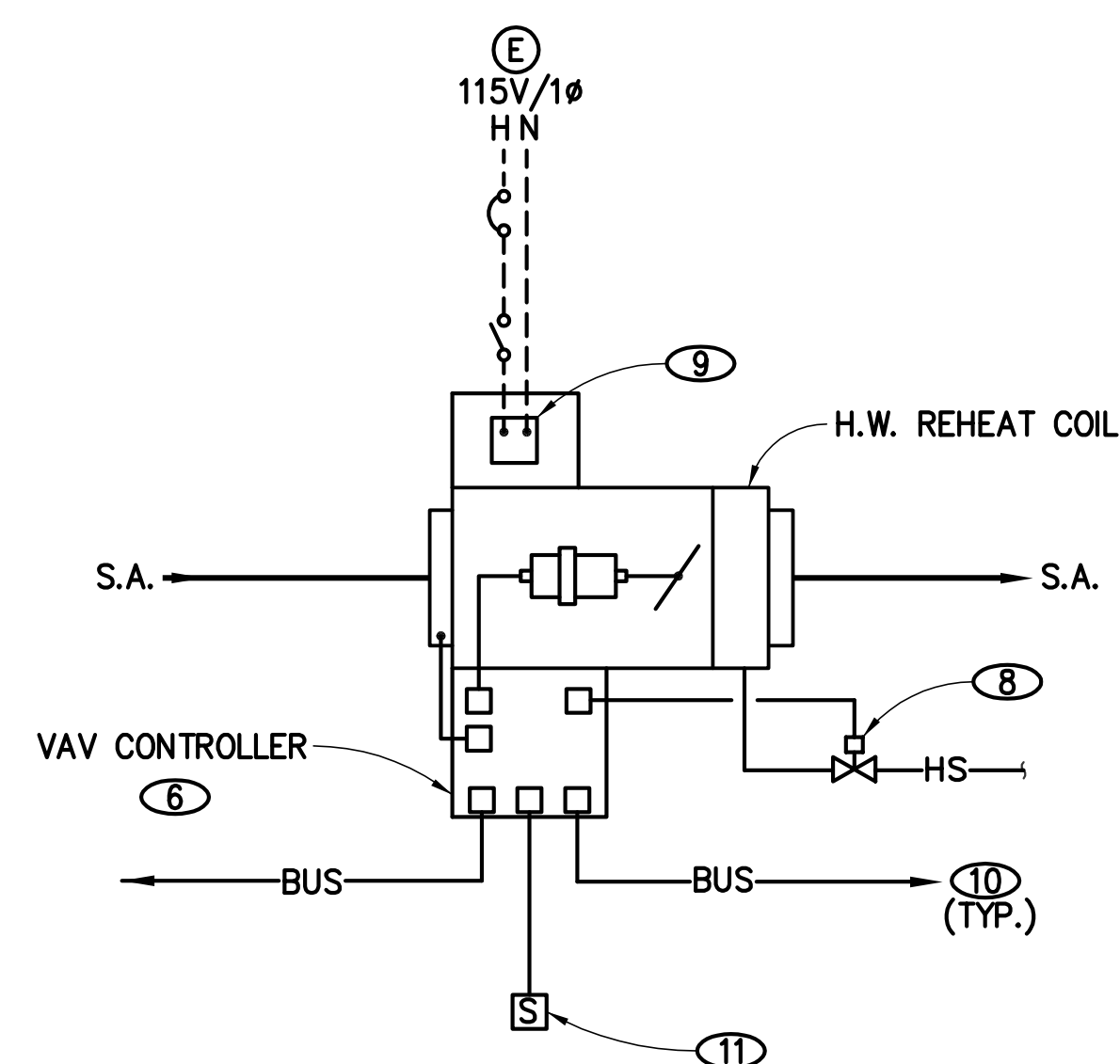
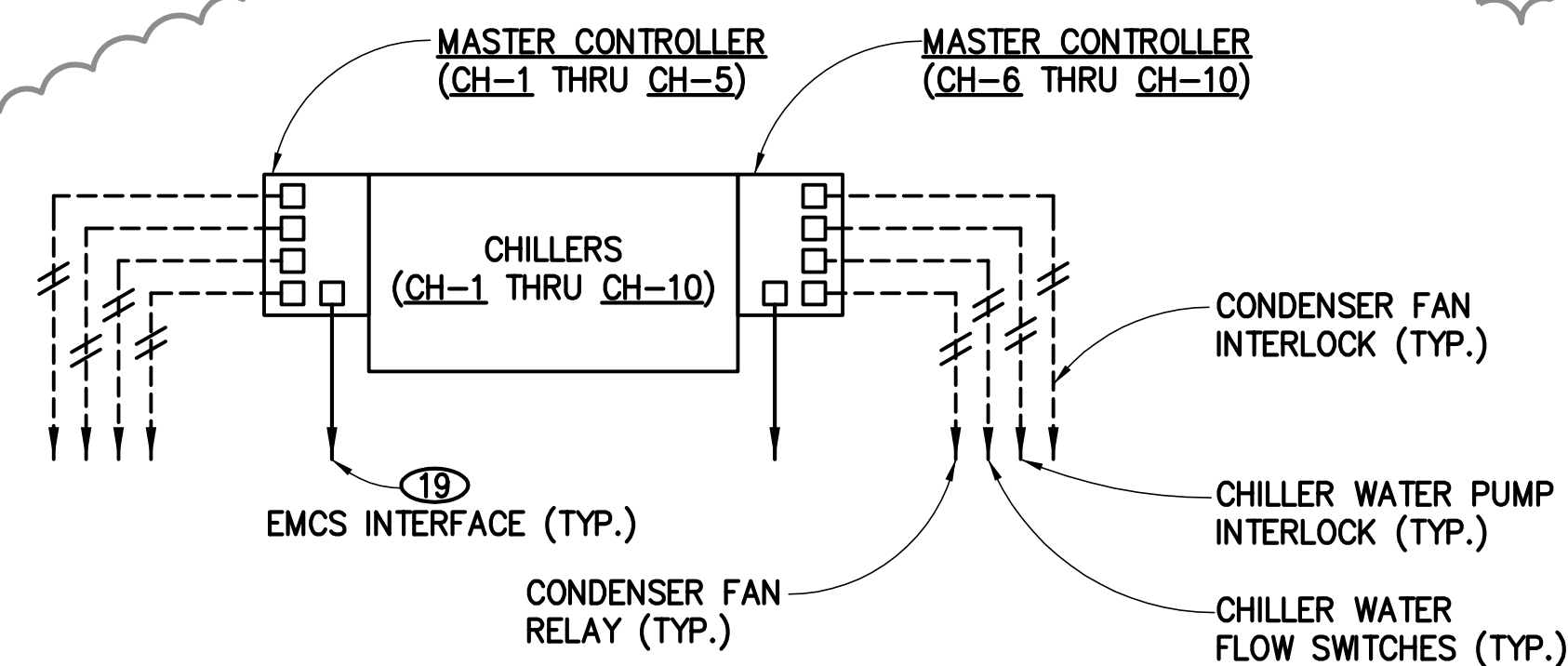


SINGLE ZONE VAV AIR HANDLING SYSTEM

(AH 7)

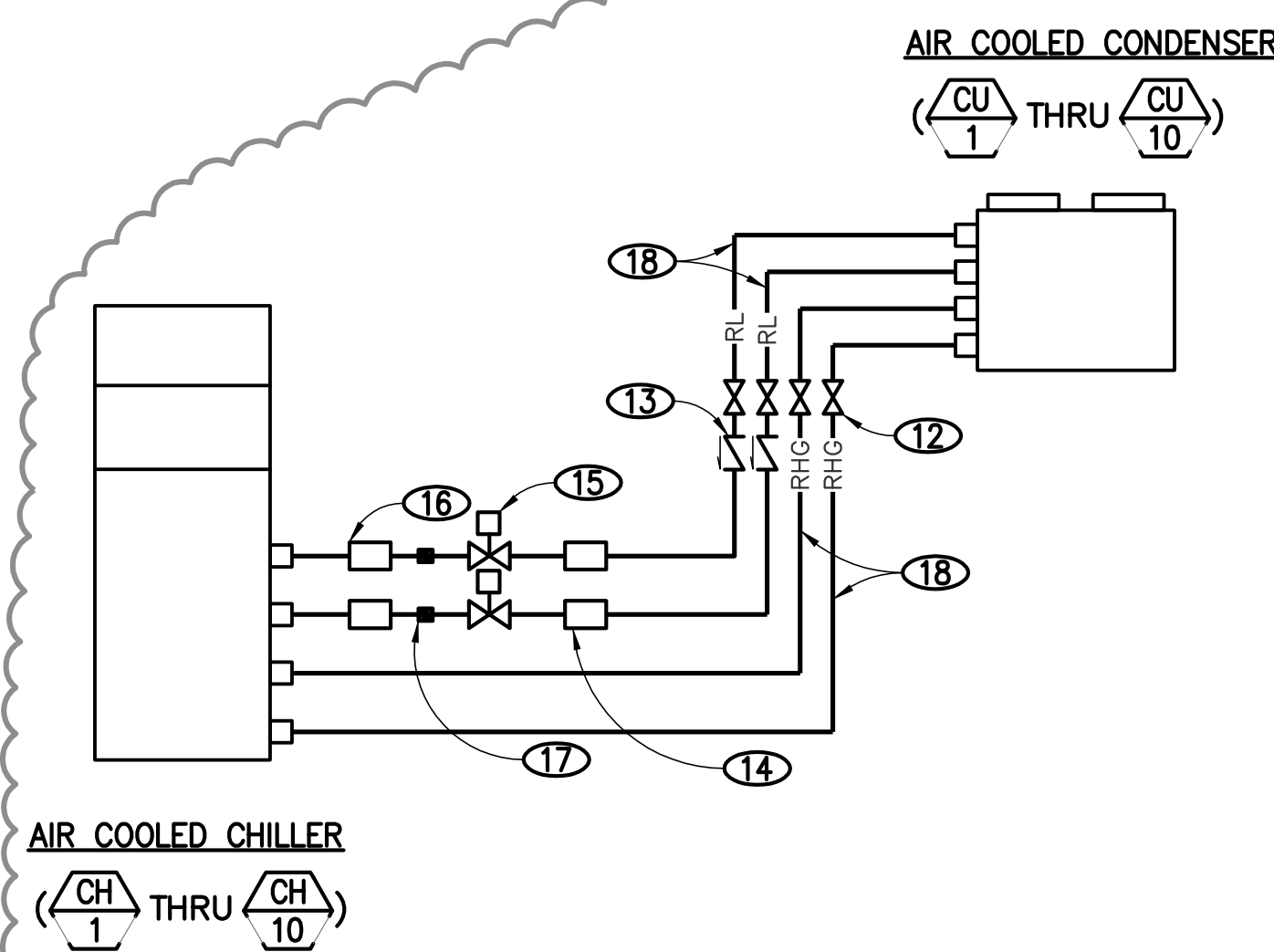


TYP. VAV/ REHEAT TERMINAL
(PRESSURE INDEPENDENT)



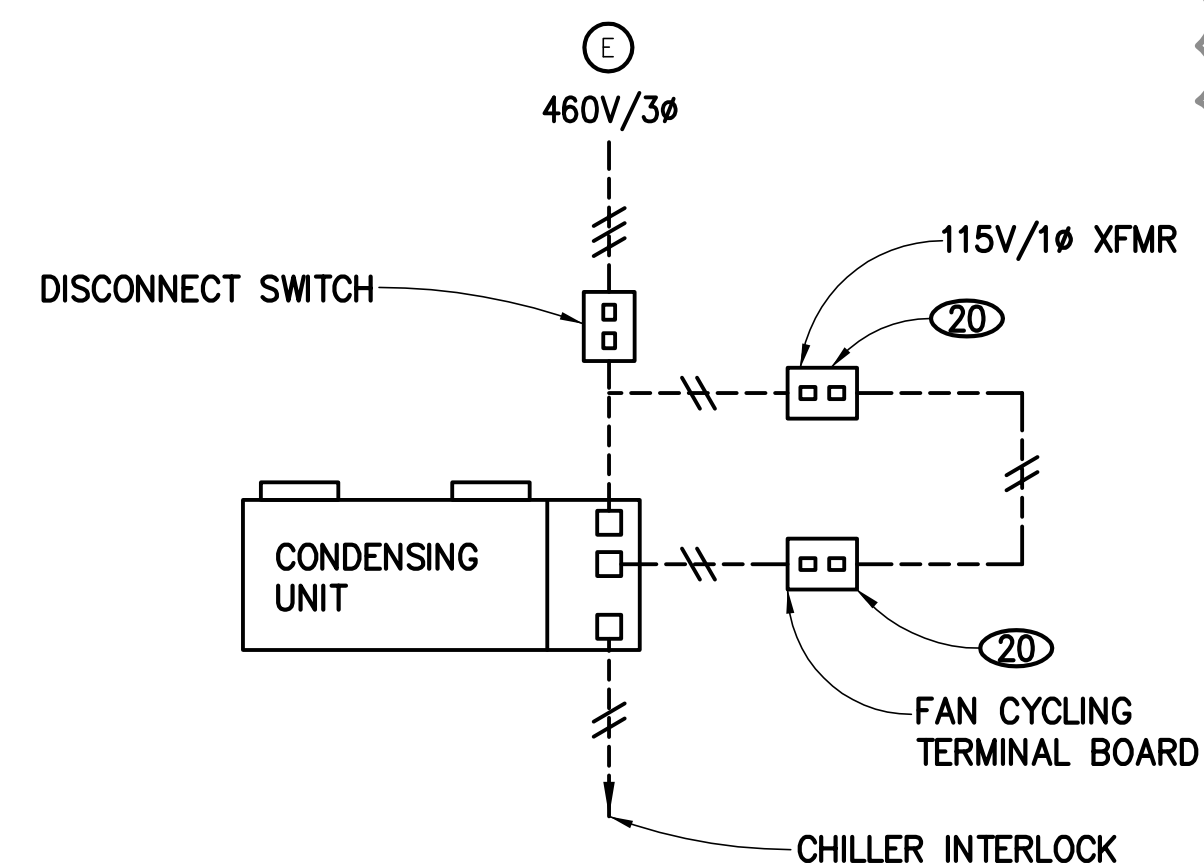
CHILLER EXTERNAL WIRING DIAGRAM

(CH 1 THRU CH 10)



AIR COOLED SPLIT SYSTEM WATER CHILLER REFRIGERANT PIPING FLOW DIAGRAM

(CH 1 THRU CH 10) (CU 1 THRU CU 10)



AIR COOLED CONDENSER CONTROL DIAGRAM

(CU 1 THRU CU 10)

NOTES

- ① DWYER MAGNEHELIC FILTER GAUGE FOR 0 - 2" W.C. RANGE. FURN. W/ PITOT TUBES, RED FLAG INDICATOR, TUBING, VENT VALVES, DIFF. PRESSURE SWITCH FOR EMCS INTERFACE (DIRTY FILTER ALARM).
- ② PHOTO-ELECTRIC TYPE DUCT SMOKE DETECTOR TO DEENERGIZE FAN & ANNUNCIATE FIRE ALARM SYSTEM UPON SENSING SMOKE.
- ③ DAMPER SHALL FAIL CLOSED
- ④ DIRTY FILTER ALARM.
- ⑤ LOW LIMIT TEMP. CONTROLLER TO DENERGIZE FAN & ANNUNCIATE AT FRONT END EMCS UPON SENSING IMPENDING FREEZE CONDITION (FIELD ADJUSTMENT).
- ⑥ VAV CONTROLLERS SHALL BE DELIVERED TO VAV TERMINAL MFR. FOR FACTORY MTG. OF BASE. FINAL WIRING & TERMINATIONS SHALL BE BY ATC/EMCS CONTRACTOR, IN FIELD.
- ⑦ START/STOP VIA EMCS.
- ⑧ 2-WAY CONTROL VALVE. SELECT FOR MAX. 5 PSIG WPD AT SCHEDULED FLOW & 50 PSIG SHUT-OFF.
- ⑨ SPST RELAY FOR ATC/EMCS INTERFACE (START/STOP). VERIFY EXACT INTERFACE REQUIREMENTS WITH ATC/EMCS SUPPLIER PRIOR TO BEGINNING WORK.
- ⑩ TO/FROM OTHER DDC PANELS/CONTROLLERS.
- ⑪ SPACE SENSOR WITH PLUG-IN PORT-SEE PLANS FOR LOCATION.
- ⑫ REFRIGERANT ISOLATION VALVE.
- ⑬ REFRIGERANT LIQUID CHECK VALVE.
- ⑭ REFRIGERANT RECEIVER.
- ⑮ REFRIGERANT LIQUID LINE SOLENOID VALVE.
- ⑯ FILTER-DRYER.
- ⑰ SIGHT GLASS.
- ⑱ SIZE PER MANUFACTURER'S RECOMMENDATIONS BASED ON DESIGN CONDITIONS AS LISTED IN SCHEDULES & SPECIFICATIONS.
- ⑲ COORDINATE WITH MANUFACTURERS APPROVED WIRING AND TERMINATION DIAGRAMS. REFER TO CONTROL SEQUENCES FOR INPUT/OUTPUT REQUIREMENTS.
- ⑳ PROVIDE AND FACTORY WIRE BY CONDENSING UNIT MANUFACTURER.

THE SAENGER THEATRE RENEWAL PROJECT

142 North Rampart Street
New Orleans, LA

Client
Saenger Theatre Redevelopment Company
200 West Loop South, Suite 1040
Houston TX 77027

Architect
MARTINEZ+JOHNSON ARCHITECTURE

1412 Eye St., NW
Washington, DC 20005
202.333.4480

Structural Engineer
Shawn J. Franke, P.E.
549heimer Road, San Antonio TX 78232
210.979.7900

Theatre Consultant
Schuler Shook
123 Third Street North #210
Minneapolis, MN 55401
612.333.5555

Acoustical Engineer
Akustiks
93 North Main Street South
Norwalk, CT 06584
202.299.1904

MEP Engineer
JBA Consulting Engineers, Inc.
3525 N. Causeway Blvd. Suite 500
Metairie, LA 70002
504.830.0139

Civil Engineer
Linfield, Hunter, & Junius, Inc.
3608 18th Street Suite 200
Metairie, LA 70002
504.833.5300

Architectural Historian
EHT Traceries, Inc.
1121 Fifth Street NW
Washington, DC 20001
202.393.1199

THESE DRAWINGS, SPECIFICATIONS, AND OTHER DOCUMENTS, COLLECTIVELY, THE "DOCUMENTS", INCLUDING WITHOUT LIMITATION ELECTRONIC VERSIONS THEREOF AND THE IDEAS, DESIGNS, AND ARRANGEMENTS REPRESENTED THEREBY, ARE AND SHALL REMAIN THE PROPERTY OF MARTINEZ & JOHNSON ARCHITECTURE PC, AS DEFINED BY APPLICABLE CONTRACTUAL AGREEMENTS ("THE AGREEMENTS") AND AS PROTECTED BY THE COPYRIGHT STATUTES OF THE UNITED STATES. USE OF THE DOCUMENTS SHALL BE STRICTLY LIMITED TO THE PROJECT FOR WHICH THEY WERE PREPARED AND DEVELOPED ("THE PROJECT") FOR THE TERM OF THE AGREEMENTS. NO PART OF THE DOCUMENTS SHALL BE COPIED, DISCLOSED TO OTHERS, OR USED IN CONNECTION WITH ANY OTHER WORK OR PROJECT, OR BY ANY OTHER PERSONS FOR ANY PURPOSES, OTHER THAN THE COMPLETION OF THE PROJECT, WITHOUT THE SPECIFIC WRITTEN AUTHORIZATION OF MARTINEZ & JOHNSON ARCHITECTURE PC. THE BORROWING, OPENING, OR VIEWING OF ELECTRONIC VERSIONS OF THE DOCUMENTS OR VISUAL CONTACT WITH ANY PRINTED FORM THEREOF SHALL CONSTITUTE CONCLUSIVE EVIDENCE OF ACCEPTANCE OF THESE RESTRICTIONS.

7502

DATE:	No.:	ISSUE:
02.19.10	1	PERMIT SET
04.02.10	2	GMP CONTRACT SET

DATE:	No.:	REVISION:
11.11.10		CONTRACT SET

SHEET TITLE:
WIRING DIAGRAMS

RE-NUMBERED SHEET

AUTO. TEMPERATURE CONTROL/ EMCS WIRING DIAGRAMS

NO SCALE

1
MO.10