

**THE SAENGER  
THEATRE RENEWAL  
PROJECT**

142 North Rampart Street  
New Orleans, LA

Client  
Saenger Theatre Redevelopment Company  
200 West Loop South, Suite  
1040 Houston TX 77027

Architect  
**MARTINEZ+JOHNSON  
ARCHITECTURE**

1412 Eye St., NW  
Washington, DC 20005  
202.333.4480

Structural Engineer  
Shawn J. Franke, P.E.  
549heimer Road San  
Antonio TX 78232  
210.979.7900

Theatre Consultant  
Schuler Shook  
123 Third Street North #210  
Minneapolis, MN 55401  
612.333.5959

Acoustical Engineer  
Akustiks  
93 North Main Street South  
Norwalk, CT 06584  
202.299.1904

MEP Engineer  
JBA Consulting Engineers, Inc.  
3525 N. Causeway Blvd. Suite  
500 Metairie, LA 70002  
504.830.0139

Civil Engineer  
Linfield, Hunter, & Junius, Inc.  
3608 18th Street Suite 200  
Metairie, LA 70002  
504.833.5300

Architectural Historian  
EHT Traceries, Inc.  
1121 Fifth Street NW  
Washington, DC 20001  
202.393.1199

THESE DRAWINGS, SPECIFICATIONS, AND OTHER DOCUMENTS, COLLECTIVELY, THE "DOCUMENTS", INCLUDING WITHOUT LIMITATION ELECTRONIC VERSIONS THEREOF AND THE IDEAS, DESIGNS, AND ARRANGEMENTS REPRESENTED THEREBY, ARE AND SHALL REMAIN THE PROPERTY OF MARTINEZ & JOHNSON ARCHITECTURE PC AS DEFINED BY APPLICABLE CONTRACTUAL AGREEMENTS ("THE AGREEMENTS") AND AS PROTECTED BY THE COPYRIGHT STATUTES OF THE UNITED STATES. USE OF THE DOCUMENTS SHALL BE STRICTLY LIMITED TO THE PROJECT FOR WHICH THEY WERE PREPARED AND DEVELOPED ("THE PROJECT") FOR THE TERMS OF THE AGREEMENTS. NO PART OF THE DOCUMENTS SHALL BE COPIED, DISCLOSED TO OTHERS, OR USED IN CONNECTION WITH ANY OTHER WORK OR PROJECT, OR BY ANY OTHER PERSONS FOR ANY PURPOSES, OTHER THAN THE COMPLETION OF THE PROJECT, WITHOUT THE SPECIFIC WRITTEN AUTHORIZATION OF MARTINEZ & JOHNSON ARCHITECTURE PC. THE BORROWING, OPENING, OR VIEWING OF ELECTRONIC VERSIONS OF THE DOCUMENTS OR VISUAL CONTACT WITH ANY PRINTED FORM THEREOF SHALL CONSTITUTE CONCLUSIVE EVIDENCE OF ACCEPTANCE OF THESE RESTRICTIONS.

7502

DATE:	No.:	ISSUE:
02.19.10	1	PERMIT SET
04.02.10	2	GMP CONTRACT SET

DATE:	No.:	REVISION:
11.11.10		CONTRACT SET

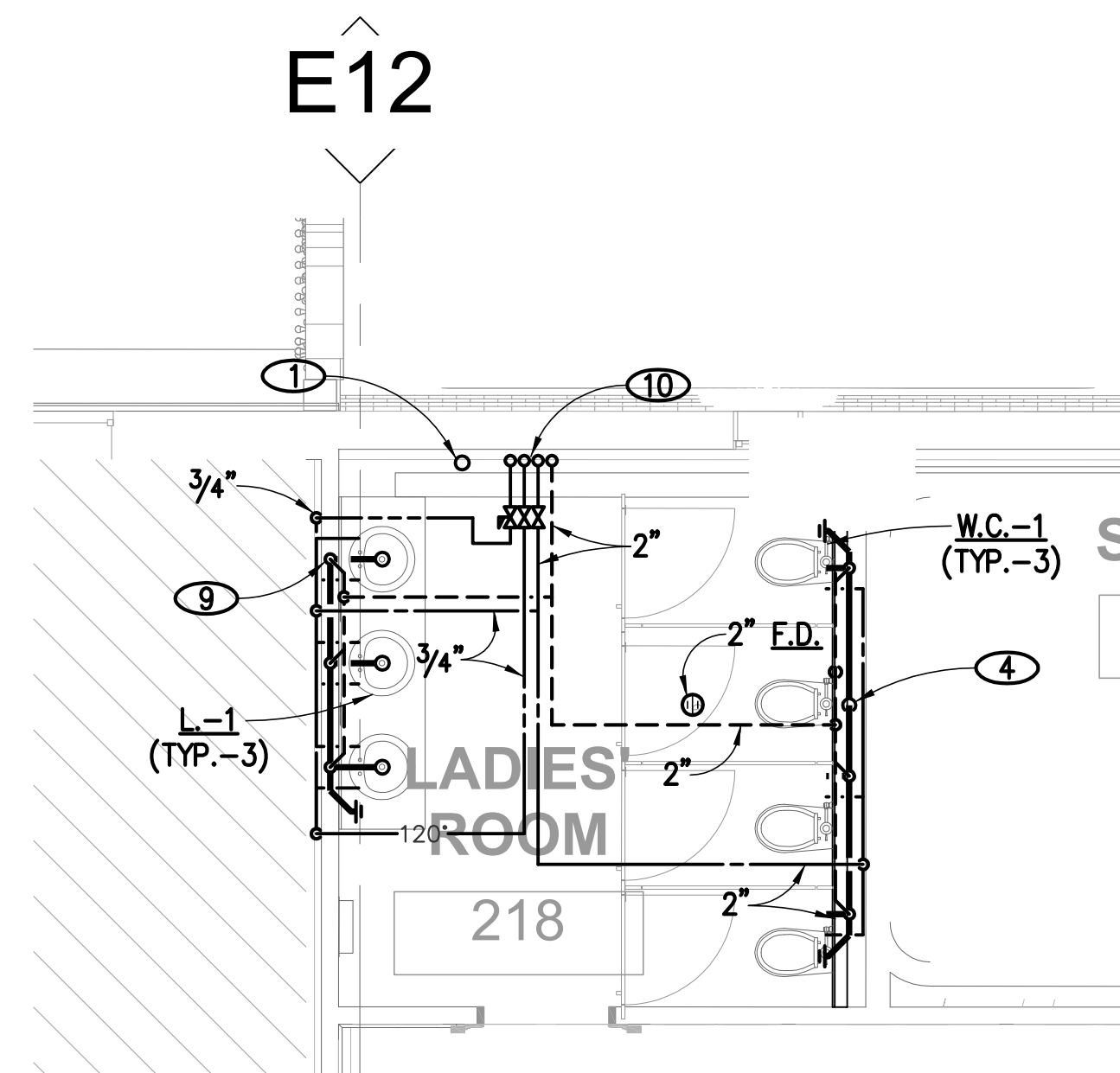
SHEET TITLE:  
ARCADE - LOGE LEVEL  
ENLARGED PLANS

**P-4.04**

09.0384

**NOTES**

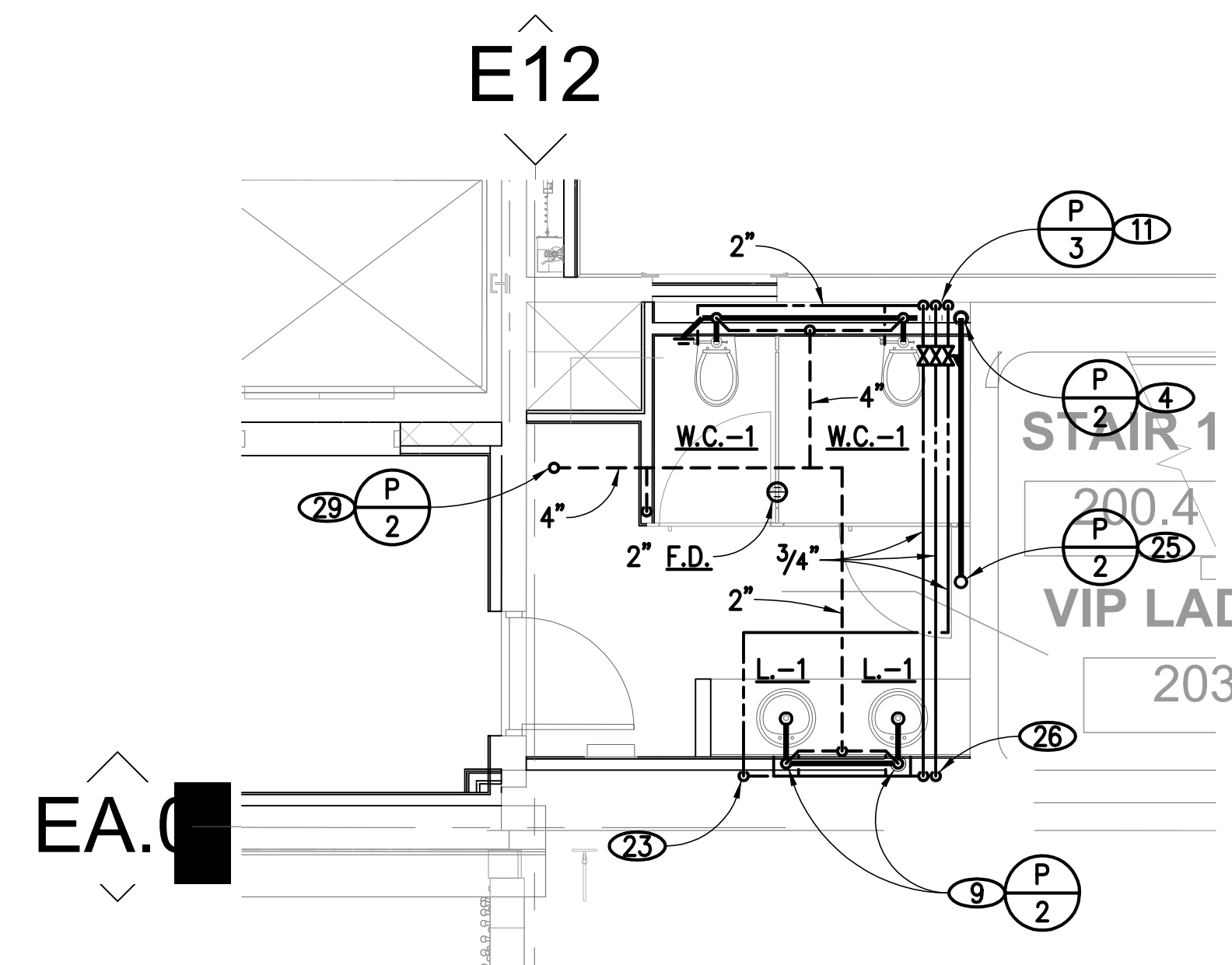
- ① 4" W. FROM ABOVE AND DOWN.
- ② 3" W. FROM ABOVE AND DOWN.
- ③ 2" W. FROM ABOVE AND DOWN.
- ④ 4" W. DOWN.
- ⑤ 2" F.D. ABOVE.
- ⑥ 2" V. UP.
- ⑦ 3" V. UP.
- ⑧ 2" V. UP AND TRANSITION TO 3" IN VERTICAL.
- ⑨ 2" W. DOWN WITH W.C.O., 2" V. UP AND 3/4" H. & C.W. DOWN TO FAUCET AT LAVATORY. PROVIDE THERMOSTATIC MIXING VALVE LOCATED BELOW LAVATORY SERVING 1/2" 105° TEMPERED WATER AND CONNECT TO FAUCET SIMILAR TO DETAIL (2) P-6.01.
- ⑩ 2 1/2" C.W. AND 1" H.W. FROM BELOW AND 2 1/2" C.W. AND 3/4" H.W. UP, 3/4" H.W.R. FROM ABOVE AND DOWN AND 3" V. UP.
- ⑪ 2" C.W. AND 3/4" H.W. FROM BELOW AND 3/4" H.W.R. DOWN.
- ⑫ 1" H. & C.W. FROM ABOVE AND 3/4" H.W.R. UP. PROVIDE 3/4" H. & C.W. CONNECTIONS TO FAUCET AT SERVICE SINK WITH CHECK AND SHUT-OFF VALVES.
- ⑬ 1" H. & C.W. FROM ABOVE AND 3/4" H.W.R. UP. PROVIDE 1/2" H. & C.W. TO EACH LAVATORY AND CONNECT TO THERMOSTATIC MIXING VALVES LOCATED BELOW LAVATORY SERVING 1/2" 105° TEMPERED WATER AND CONNECT TO EACH FAUCET SIMILAR TO DETAIL (2) P-6.01.
- ⑭ 2 1/2" C.W. FROM ABOVE. PROVIDE 2" C.W. TO EACH WATER CLOSET/URINAL.
- ⑮ 2" V. FROM BELOW.
- ⑯ 2" V. TO ABOVE CEILING.
- ⑰ 1/2" H&CW DOWN TO HAND SINK.
- ⑱ 3/4" HW DOWN TO DISHWASHER.
- ⑲ 3/4" H&CW DOWN AND HEADER BELOW COUNTER.
- ⑳ 1/2" CW TO SODA GUN.
- ㉑ 1/2" H&CW TO 3-COMPARTMENT SINK.
- ㉒ 1/2" H&CW TO HAND SINK.
- ㉓ 3/4" HWR FROM BELOW.
- ㉔ REFER TO SHEET P-1.04 FOR CONTINUATION.
- ㉕ 4" W. FROM ABOVE.
- ㉖ 3/4" H&CW DOWN AND HEADER IN WALL.
- ㉗ 3" GR. FROM ABOVE AND DOWN.
- ㉘ 3/4" C.W. DOWN AND 2" V. FROM BELOW.
- ㉙ 4" V. UP.



**ENLARGED PLAN**

SCALE: 1/4" = 1'-0"

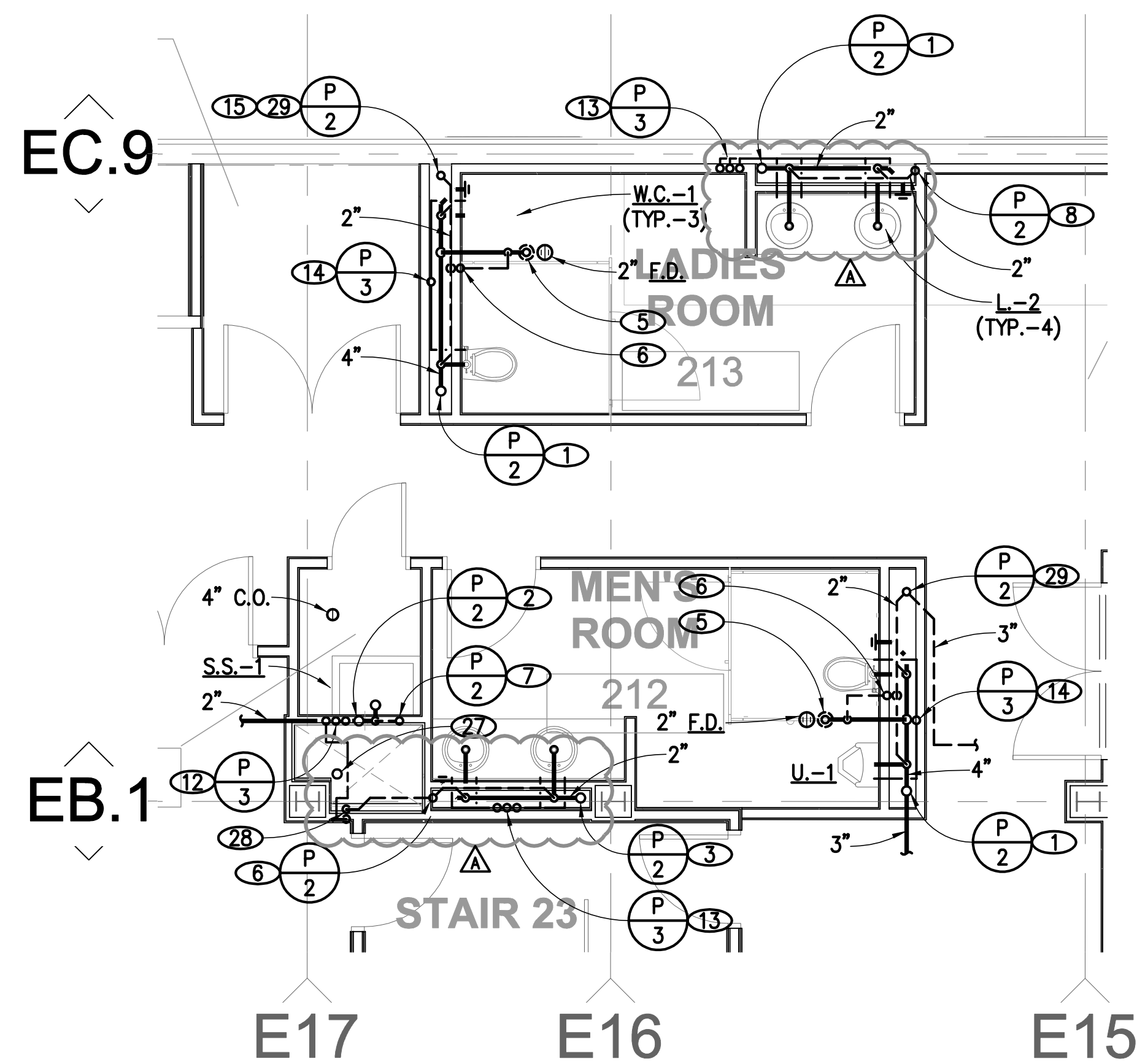
**A**  
P-4.04



**ENLARGED PLAN**

SCALE: 1/4" = 1'-0"

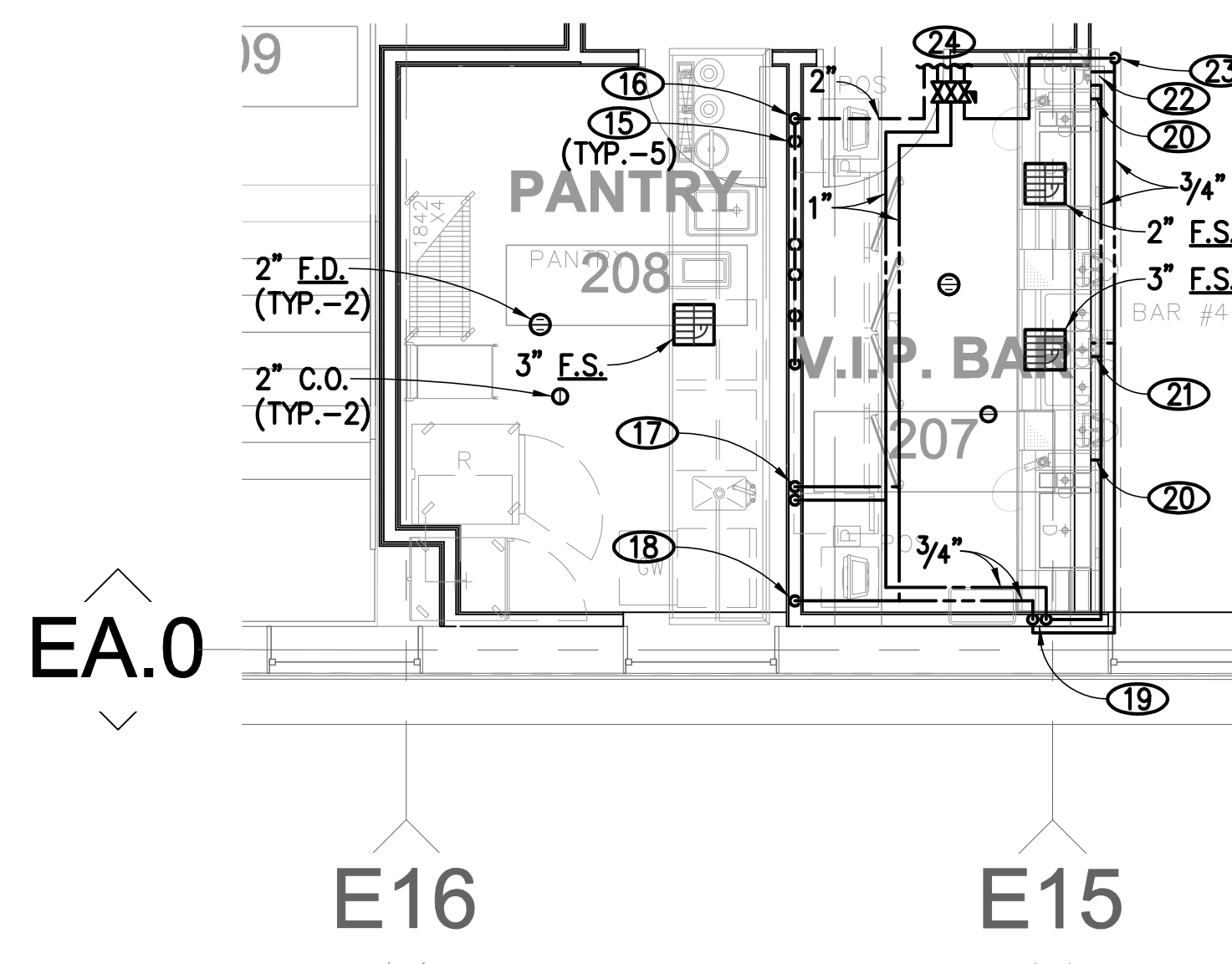
**B**  
P-4.04



**ENLARGED PLAN**

SCALE: 1/4" = 1'-0"

**C**  
P-4.04



**ENLARGED PLAN**

SCALE: 1/4" = 1'-0"

**D**  
P-4.04