

**THE SAENGER
THEATRE RENEWAL
PROJECT**

142 North Rampart Street
New Orleans, LA

Client
Saenger Theatre Redevelopment Company
200 West Loop South, Suite
1040 Houston TX 77027

Architect
**MARTINEZ+JOHNSON
ARCHITECTURE**

1412 Eye St., NW
Washington, DC 20005
202.333.4480

Structural Engineer
Shawn J. Franke, P.E.
549 Harmer Road, San
Antonio TX 78232
210.979.7900

Theatre Consultant
Schuler Shook
123 Third Street North #210
Minneapolis, MN 55401
612.333.5559

Acoustical Engineer
Akustiks
93 North Main Street South
Norwalk, CT 06584
202.299.1904

MEP Engineer
JBA Consulting Engineers, Inc.
3525 N. Causeway Blvd. Suite
500 Metairie, LA 70002
504.830.0139

Civil Engineer
Linfield, Hunter, & Junius, Inc.
3608 18th Street Suite 200
Metairie, LA 70002
504.833.3300

Architectural Historian
EHT Traceries, Inc.
1121 Fifth Street NW
Washington, DC 20001
202.393.1199

THESE DRAWINGS, SPECIFICATIONS, AND OTHER DOCUMENTS, COLLECTIVELY, THE "DOCUMENTS" INCLUDING WITHOUT LIMITATION ELECTRONIC VERSIONS THEREOF AND THE IDEAS, DESIGNS, AND ARRANGEMENTS REPRESENTED THEREBY, ARE AND SHALL REMAIN THE PROPERTY OF MARTINEZ & JOHNSON ARCHITECTURE PC AS DEFINED BY APPLICABLE CONTRACTUAL AGREEMENTS ("THE AGREEMENTS") AND AS PROTECTED BY THE COPYRIGHT STATUTES OF THE UNITED STATES. USE OF THE DOCUMENTS SHALL BE STRICTLY LIMITED TO THE PROJECT FOR WHICH THEY WERE PREPARED AND DEVELOPED ("THE PROJECT") FOR THE TERM OF THE AGREEMENTS. NO PART OF THE DOCUMENTS SHALL BE COPIED, DISCLOSED TO OTHERS, OR USED IN CONNECTION WITH ANY OTHER WORK OR PROJECT, OR BY ANY OTHER PERSONS FOR ANY PURPOSES, OTHER THAN THE COMPLETION OF THE PROJECT, WITHOUT THE SPECIFIC WRITTEN AUTHORIZATION OF MARTINEZ & JOHNSON ARCHITECTURE PC. THE DOWNGRADING, OPENING, OR VIEWING OF ELECTRONIC VERSIONS OF THE DOCUMENTS OR VISUAL CONTACT WITH ANY PRINTED FORM THEREOF SHALL CONSTITUTE CONCLUSIVE EVIDENCE OF ACCEPTANCE OF THESE RESTRICTIONS.

7502

DATE:	No.:	ISSUE:
02.19.10	1	PERMIT SET
04.02.10	2	GMP CONTRACT SET

DATE:	No.:	REVISION:
11.11.10		CONTRACT SET

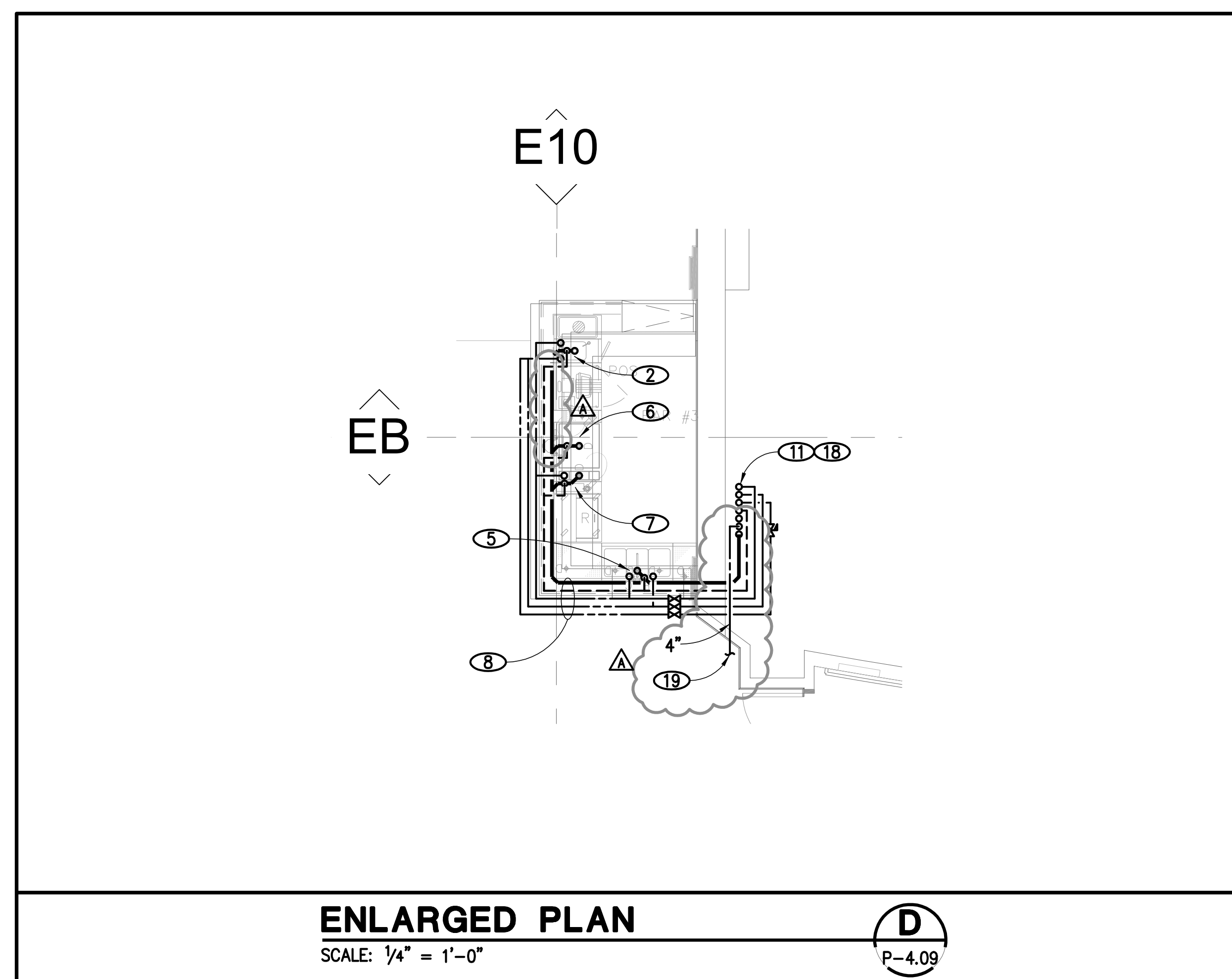
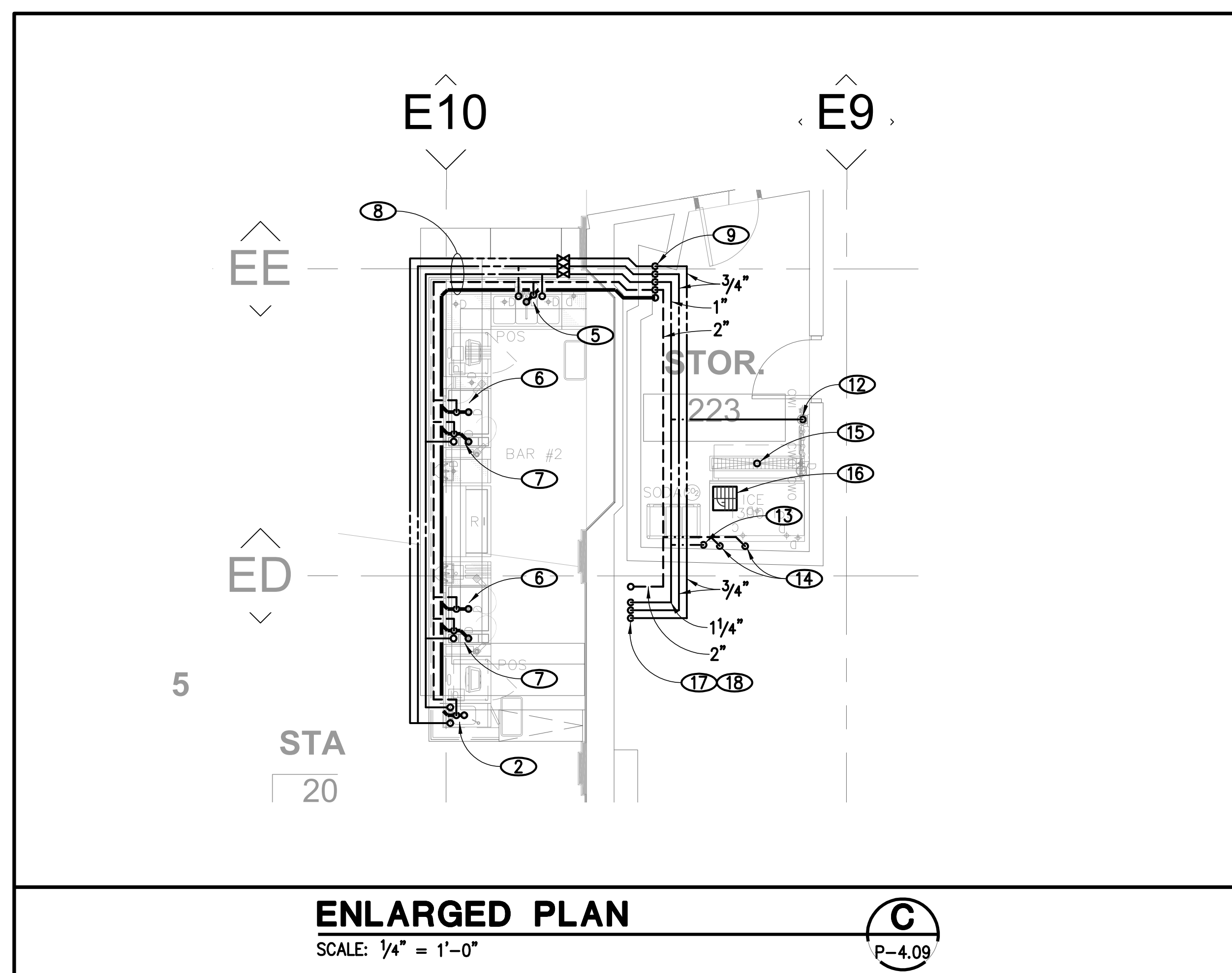
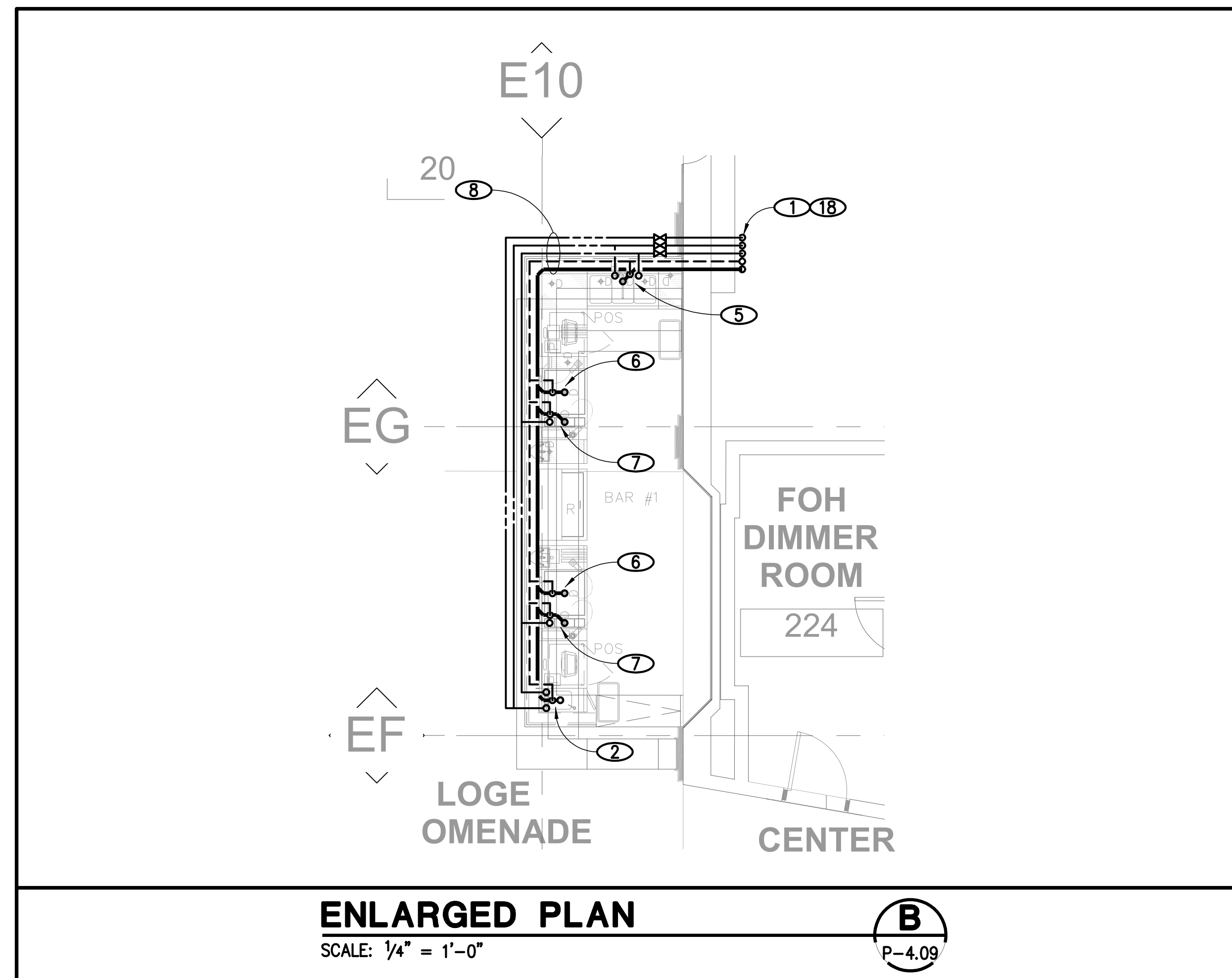
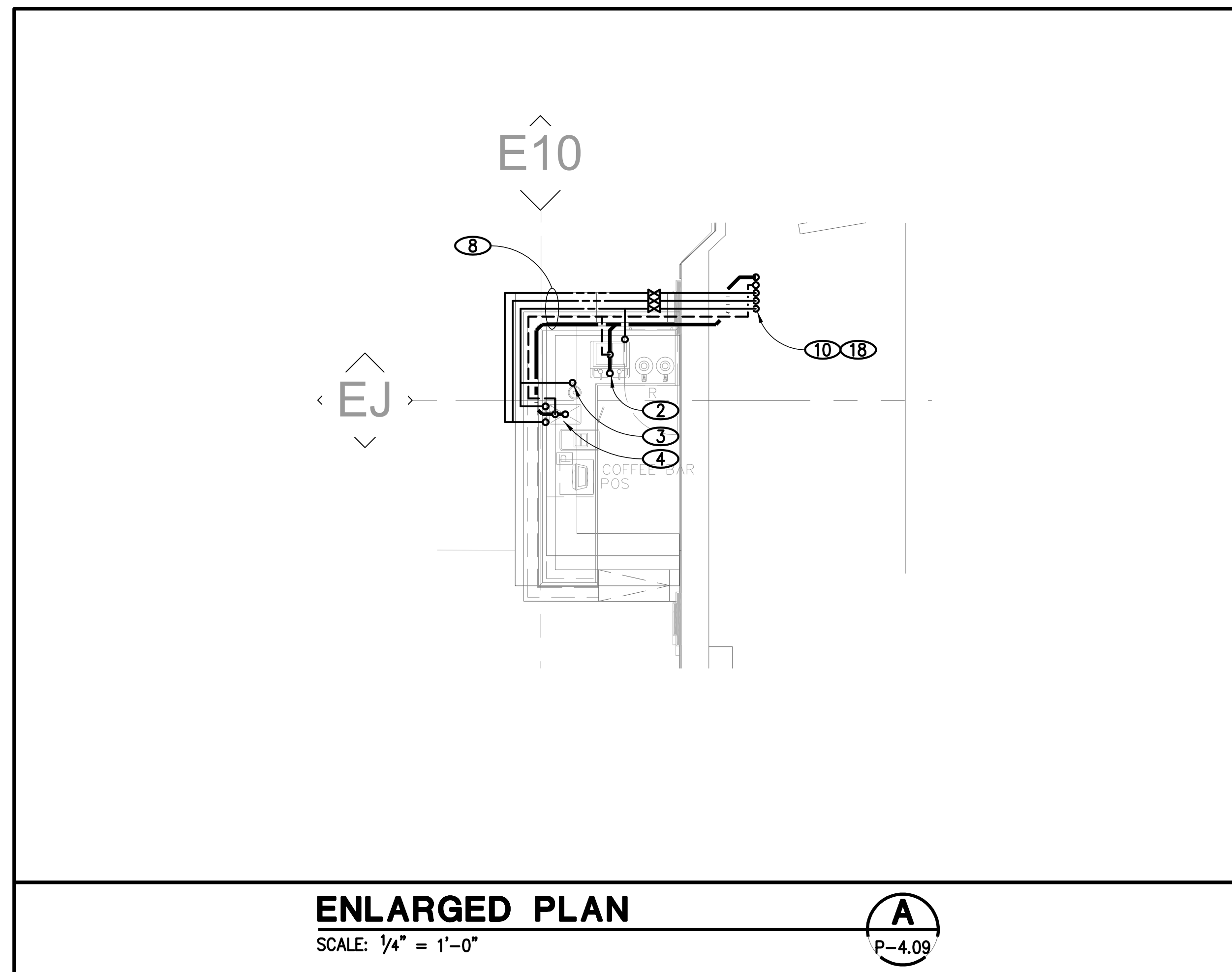
SHEET TITLE:
THEATER - LOGE LEVEL
ENLARGED PLANS

P-4.09

NOTES

- ① 1" C.W. AND 3/4" H.W. FROM BELOW, 3/4" HWR AND 3" W. DOWN, 2" V. UP.
- ② 1/2" C.W., 2" W., AND 2" V. FROM ESPRESSO MAKER.
- ③ 1/2" C.W. TO DIPPERWELL.
- ④ 1/2" H. & C.W., 2" W., AND 2" V. UP FROM HAND SINK.
- ⑤ 1/2" H. & C.W., 2" W., AND 2" V. UP FROM 3-COMPARTMENT SINK.
- ⑥ 2" W. AND 2" V. FROM ICE BIN.
- ⑦ 1/2" C.W., 2" W., AND 2" V. FROM SODA GUN.
- ⑧ RUN 1" C.W., 3/4" H.W., 3/4" H.W.R., 2" V., AND 2" W. HEADERS IN DIE WALL. REFER TO DETAIL P-6.01.
- ⑨ 1" C.W., 3/4" H.W., 3/4" H.W.R., 2" V. DOWN ON WALL TO BELOW COUNTER ELEVATION, 3" W. DOWN.
- ⑩ 1" C.W., 3/4" H.W., 3/4" H.W.R. FROM BELOW, 2" V. FROM BELOW AND UP, 2" W. DOWN.
- ⑪ 3" M.G., 6" V., 4" C.W. AND 1 1/2" H.W.R. FROM BELOW AND UP AND 4" C.W., 2 1/2" H.W., AND 2 1/2" W. DOWN.
- ⑫ 3/4" C.W. DOWN TO WATER FILTER BEFORE CONNECTING TO ICE MACHINE.
- ⑬ 1/2" C.W. DOWN TO SODA BAG-N-BOX.
- ⑭ 2" V. FROM BELOW.
- ⑮ 2" W. DOWN FROM FLOOR TROUGH.
- ⑯ 2" E.S.
- ⑰ 1 1/4" C.W., 3/4" H.W., 3/4" H.W.R. FROM BELOW, 2" V. FROM BELOW AND UP.
- ⑱ PROVIDE PIPE LAGGING AND RESILIENTLY SUSPEND PIPING IN THEATRE PLENUM.

⑲ REFER TO SHEET P-1.05 FOR CONTINUATION.



09.0394