

**THE SAENGER
THEATRE RENEWAL
PROJECT**

142 North Rampart Street
New Orleans, LA

Client
Saenger Theatre Redevelopment Company
200 West Loop South, Suite
1040 Houston TX 77027

Architect
**MARTINEZ+JOHNSON
ARCHITECTURE**

1412 Eye St., NW
Washington, DC 20005
202.333.4480

Structural Engineer
Shawn J. Franke, P.E.
549heimer Road, San
Antonio TX 78232
210.979.7900

Theatre Consultant
Schuler Shook
123 Third Street North #210
Minneapolis, MN 55401
612.333.5659

Acoustical Engineer
Akustiks
93 North Main Street South
Norwalk, CT 06584
202.299.1904

MEP Engineer
JBA Consulting Engineers, Inc.
3525 N. Causeway Blvd. Suite
500 Metairie, LA 70002
504.830.0139

Civil Engineer
Linfield, Hunter, & Junius, Inc.
3608 18th Street Suite 200
Metairie, LA 70002
504.333.5300

Architectural Historian
EHT Traceries, Inc.
1121 Fifth Street NW
Washington, DC 20001
202.393.1199

THESE DRAWINGS, SPECIFICATIONS, AND OTHER DOCUMENTS, COLLECTIVELY, THE "DOCUMENTS", INCLUDING WITHOUT LIMITATION ELECTRONIC VERSIONS THEREOF AND THE IDEAS, DESIGNS, AND ARRANGEMENTS REPRESENTED THEREBY, ARE AND SHALL REMAIN THE PROPERTY OF MARTINEZ & JOHNSON ARCHITECTURE PC AS DEFINED BY APPLICABLE CONTRACTUAL AGREEMENTS ("THE AGREEMENTS") AND AS PROTECTED BY THE COPYRIGHT LAWS OF THE UNITED STATES. USE OF THE DOCUMENTS SHALL BE STRICTLY LIMITED TO THE PROJECT FOR WHICH THEY WERE PREPARED AND DEVELOPED ("THE PROJECT") FOR THE TERMS OF THE AGREEMENTS. NO PART OF THE DOCUMENTS SHALL BE COPIED, DISCLOSED TO OTHERS, OR USED IN CONNECTION WITH ANY OTHER WORK OR PROJECT, OR BY ANY OTHER PERSONS FOR ANY PURPOSES, OTHER THAN THE COMPLETION OF THE PROJECT, WITHOUT THE SPECIFIC WRITTEN AUTHORIZATION OF MARTINEZ & JOHNSON ARCHITECTURE PC. THE DOING, GIVING, OPENING, OR VIEWING OF ELECTRONIC VERSIONS OF THE DOCUMENTS OR VISUAL CONTACT WITH ANY PRINTED FORM THEREOF SHALL CONSTITUTE CONCLUSIVE EVIDENCE OF ACCEPTANCE OF THESE RESTRICTIONS.

7502

DATE:	No.:	ISSUE:
02.19.10	1	PERMIT SET
04.02.10	2	GMP CONTRACT SET

DATE:	No.:	REVISION:
08.03.10	△	DOH REVISION
11.11.10		CONTRACT SET

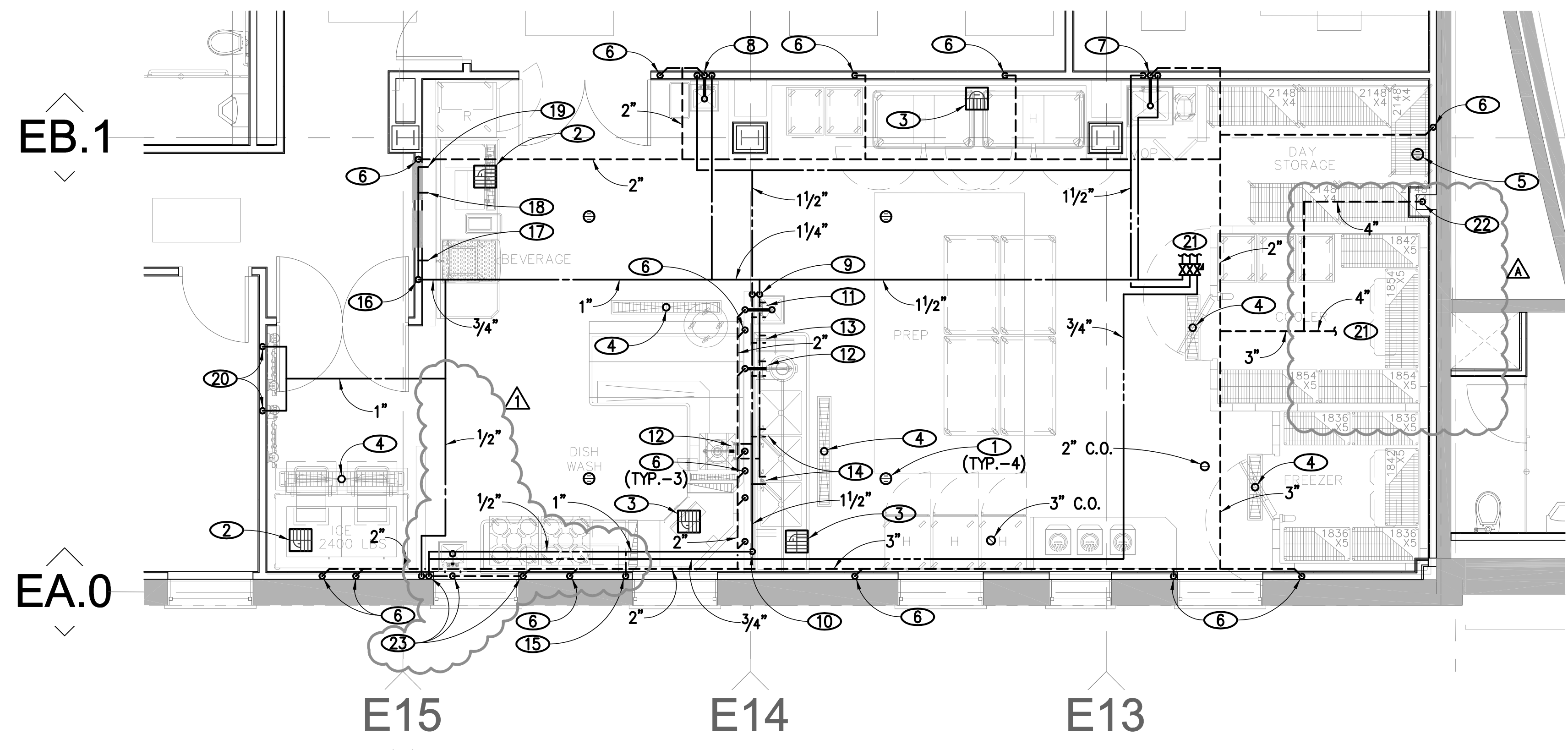
SHEET TITLE:
ARCADE - UPPER
BALCONY LEVEL
ENLARGED PLAN

P-4.10

09.0394

NOTES

- ① 2" F.D.
- ② 2" F.S.
- ③ 3" F.S.
- ④ 2" W. DOWN FROM FLOOR TROUGH.
- ⑤ 2" FUNNEL DRAIN.
- ⑥ 2" V. UP FROM BELOW FLOOR.
- ⑦ 3" W. DOWN WITH W.C.O., 2" V. UP, 3/4" H. & C.W. DOWN WITH CHECK AND SHUT-OFF VALVES TO MOP SINK.
- ⑧ 2" W. DOWN WITH W.C.O., 2" V. UP, 1/2" H. & C.W. DOWN TO HAND SINK.
- ⑨ 1 1/2" H.W. AND 1 1/4" C.W. DOWN AND HEADER IN WALL.
- ⑩ 1" HW UP FROM BELOW.
- ⑪ 2" W. DOWN WITH W.C.O., 2" V. UP, 1/2" H. & C.W. TO HAND SINK.
- ⑫ 2" W. DOWN WITH W.C.O., 2" V. UP, 1/2" H. & C.W. TO PRE-RINSE FAUCET.
- ⑬ 1/2" H. & C.W. TO HOSE REEL.
- ⑭ 3/4" H. & C.W. TO 3-COMP. SINK.
- ⑮ 1" H.W. DOWN TO BOOSTER HEATER WITH 1" INSULATED H.W. LINE ROUTED IN WALL TO DISHWASHER.
- ⑯ 3/4" C.W. DOWN AND HEADER IN WALL.
- ⑰ 1/2" C.W. TO GLASS/POT FILLER.
- ⑱ 1/2" C.W. TO COFFEE BREWER.
- ⑲ 1/2" C.W. TO ICED TEA BREWER.
- ⑳ 3/4" C.W. DOWN TO WATER FILTER AND INTERCONNECT TO ICE MACHINE.
- ㉑ REFER TO SHEET P-1.08 FOR CONTINUATION.
- ㉒ 4" V. UP FROM BELOW.
- ㉓ 2" W. DOWN WITH W.C.O., 2" V. UP AND OFFSET IN WALL BELOW WINDOW AND 1/2" H. & C.W. DOWN AND OFFSET IN WALL TO HAND SINK.



ENLARGED PLAN

SCALE: 1/4" = 1'-0"

A
P-4.10