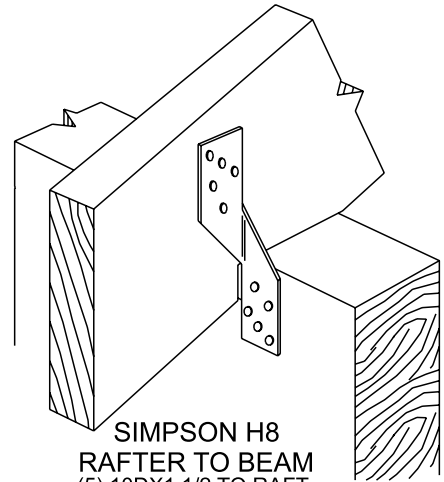


**SIMPSON H8  
TOP PLATES TO RAFTER**

(5) 10DX1 1/2 TO RAFT  
(5) 10DX1 1/2 TO TOP PLATES

**RAFTER TO TOP PLATES**



**SIMPSON H8  
RAFTER TO BEAM**

(5) 10DX1 1/2 TO RAFT  
(5) 10DX1 1/2 TO BEAM

**RAFTER TO BEAM**

