

ACCESSIBILITY NOTES:

1. THE INTERNATIONAL SYMBOL OF ACCESSIBILITY SIGN SHALL BE DISPLAYED AT ALL ACCESSIBLE RESTROOM FACILITIES AND AT ACCESSIBLE BUILDING ENTRANCES UNLESS ALL ENTRANCES ARE ACCESSIBLE ENTRANCES SHALL HAVE DIRECTIONAL SIGNS INDICATING THE ROUTE TO THE NEAREST ACCESSIBLE ENTRANCE.
2. ACCESSIBLE DRINKING FOUNTAINS SHALL HAVE A SPOUT HEIGHT NO HIGHER THAN 36 INCHES ABOVE THE FLOOR AND NO LOWER THAN 34 INCHES ABOVE THE FLOOR FOR INDIVIDUALS IN WHEELCHAIRS. ADDITIONALLY, DRINKING WATER PROVISIONS SHALL BE MADE FOR INDIVIDUALS WHO HAVE DIFFICULTY BENDING.
3. WHERE STORAGE FACILITIES SUCH AS CABINETS, SHELVES, CLOSETS AND DRAWERS ARE PROVIDED AT LEAST ONE PROVIDER SHALL CONTAIN STORAGE SPACE COMPLYING WITH THE FOLLOWING: DOORS ETC. TO SUCH SPACES SHALL BE ACCESSIBLE (I.E. TOUCH LATCHES, U-SHAPED FULLS); SPACES SHALL BE 15 INCHES MINIMUM AND 48 INCHES MAXIMUM ABOVE THE FLOOR REAR OR SIDE REACH; CLOTHES RODS OR COAT HOOKS SHALL BE A MAXIMUM OF 48 INCHES ABOVE THE FLOOR (46 INCHES MAXIMUM WHEN DISTANCE FROM REAR OR SIDE REACH EXCEEDS 10 INCHES); SHELVES IN KITCHENS OR TOILET ROOMS SHALL BE 40 INCHES MINIMUM AND 48 INCHES MAXIMUM ABOVE IN FLOOR.
4. CONTROLS, DISPENSERS, RECEPTACLES AND OTHER OPERABLE EQUIPMENT SHALL BE NO HIGHER THAN 48 INCHES ABOVE THE FLOOR. RECEPTACLES ON WALLS SHALL BE MOUNTED NO LESS THAN 15 INCHES ABOVE THE FLOOR. EXCEPTION: HEIGHT LIMITATIONS DO NOT APPLY WHERE THE USE OF SPECIAL EQUIPMENT DICTATES OTHERWISE OR WHERE ELECTRICAL RECEPTACLES ARE NOT NORMALLY INTENDED FOR USE BY BUILDING OCCUPANTS.
5. WHERE EMERGENCY WARNING SYSTEMS ARE PROVIDED, THEY SHALL INCLUDE BOTH AUDIBLE AND VISUAL ALARMS. THE VISUAL ALARMS SHALL BE LOCATED THROUGHOUT, INCLUDING RESTROOM, AND PLACED 80 INCHES ABOVE THE FLOOR OR 6 INCHES BELOW CEILING,WHICH-EVER IS LOWER.
6. ALL DOORS SHALL BE OPENABLE BY A SINGLE EFFORT. DOOR CLOSERS SHALL BE ADJUSTED SO THAT FROM AN OPEN POSITION OF 90 DEGREES, THE TIME REQUIRED TO MOVE THE DOOR TO AN OPEN POSITION OF 12 DEGREES SHALL BE 5 SECONDS MINIMUM. THE MAXIMUM FORCE REQUIRED FOR PUSHING OR PULLING OPEN DOORS OTHER THAN FIRE DOORS SHALL NOT EXCEED 5 LBS. FOR ALL SLIDING, FOLDING, AND INTERIOR HINGED DOORS.
7. FLOOR SURFACES SHALL BE STABLE, FIRM, AND SLIP-RESISTANT. CHANGES IN LEVEL BETWEEN 0.25 INCH AND 0.5 INCH SHALL BE BEVELED WITH A SLOPE NO GREATER THAN 1:2. CHANGES IN LEVEL GREATER THAN 0.5 INCH REQUIRE RAMP. CARPET PILE THICKNESS SHALL BE 0.5 MAX. GRATINGS IN FLOOR SHALL HAVE SPACES NO GREATER THAN 0.5 INCH WIDE IN ONE DIRECTION. DOORWAY THRESHOLDS SHALL NOT EXCEED 0.5 INCH IN HEIGHT.
8. ACCESSIBLE WATER CLOSETS SHALL BE 17 INCHES TO 19 INCHES, MEASURED FROM THE FLOOR TO THE TOP OF THE SEAT. GRAB BARS SHALL BE 36 INCHES LONG MINIMUM WHEN LOCATED BEHIND WATER CLOSET AND 42 INCHES MINIMUM WHEN LOCATED ALONG SIDE OF WATER CLOSET, AND SHALL BE MOUNTED 33 INCHES TO 36 INCHES ABOVE THE FLOOR. IN ADDITION, A VERTICAL GRAB BAR 18 INCHES MINIMUM IN LENGTH SHALL BE MOUNTED ON THE SIDEWALL WITH THE BOTTOM OF THE BAR LOCATED BETWEEN 39 AND 41 INCHES ABOVE THE FLOOR, AND WITH THE CENTER LINE OF THE BAR LOCATED BETWEEN 39 INCHES AND 41 INCHES FROM THE REAR WALL.
9. ACCESSIBLE URINALS SHALL BE STALL-TYPE OR WALL HUNG WITH ELONGATED RIMS AT A MAXIMUM OF 17 INCHES ABOVE THE FLOOR.
10. ACCESSIBLE LAVATORIES AND SINKS SHALL BE MOUNTED WITH THE RIM NO HIGHER THAN 34 INCHES ABOVE THE FLOOR. KNEE CLEARANCE OF AT LEAST 27 INCHES HIGH MUST BE PROVIDED WITH A MINIMUM DEPTH OF 8 INCHES BENEATH THE FIXTURE, AND 9 INCHES HIGH MINIMUM WITH A MINIMUM DEPTH OF 11 INCHES BENEATH THE FIXTURE. THE KNEE SPACE MUST BE AT LEAST 30 INCHES WIDE.
11. HOT WATER AND DRAIN PIPES UNDER ACCESSIBLE LAVATORIES AND SINKS SHALL BE INSULATED OR OTHERWISE CONFIGURED TO PROTECT AGAINST CONTACT. INSULATION OR PROTECTION MATERIALS MAY BE SITE INSTALLED. THERE SHALL BE NO SHARP OR ABRASIVE SURFACES UNDER ACCESSIBLE LAVATORIES AND SINKS.
12. MIRRORS LOCATED ABOVE LAVATORIES, SINKS OR COUNTERS SHALL BE MOUNTED WITH THE BOTTOM EDGE OF THE REFLECTING SURFACE A MAXIMUM OF 40 INCHES ABOVE THE FLOOR. OTHER MIRRORS IN TOILET ROOMS SHALL BE MOUNTED WITH THE BOTTOM EDGE OF THE REFLECTING SURFACE 35 INCHES MAXIMUM ABOVE THE FLOOR.
13. GRAB BARS HAVING A CIRCULAR CROSS SECTION SHALL HAVE AN OUTSIDE DIAMETER OF 1.25 INCHES MINIMUM AND 2.0 INCHES MAXIMUM. THE SPACE BETWEEN THE GRAB BAR AND THE WALL SHALL BE 1.5 INCHES.
14. WATER CLOSET FLUSH CONTROL SHALL BE INSTALLED A MAXIMUM OF 36 INCHES ABOVE THE FLOOR AND SHALL BE LOCATED ON THE OPEN SIDE OF THE WATER CLOSET.
15. DOORS TO ALL ACCESSIBLE SPACES SHALL HAVE ACCESSIBLE HARDWARE (I.E. LEVER - OPERATED, PUSH/TYPE, U-SHAPED) MOUNTED WITH OPERABLE PARTS BETWEEN 34 INCHES MINIMUM AND 48 INCHES MAXIMUM ABOVE THE FLOOR.
16. TOILET STALL DOORS SHALL BE THE SELF-CLOSING TYPE.
17. A TOWEL DISPENSER SHALL BE LOCATED ADJACENT TO ALL ACCESSIBLE LAVATORIES.

MECHANICAL NOTES:

1. ALL SUPPLY AIR REGISTERS SHALL BE 10 INCHES x 10 INCHES ADJUSTABLE WITH 10 INCHES x 20 INCHES (INSIDE) OVERHEAD FIBERGLASS DUCT, UNLESS OTHERWISE SPECIFIED. DUCTS IN UNCONDITIONED SPACES SHALL HAVE R-5 MINIMUM INSULATION EXCEPT DUCTS EXPOSED TO VENTILATED ATTICS AND CRAWL SPACES SHALL HAVE R-6.5 INSULATION.
2. INTERIOR DOORS SHALL BE UNDERCUT 1.5 INCHES ABOVE FINISHED FLOOR FOR AIR RETURN AND/OR AS NOTED ON FLOOR PLAN.
3. HVAC EQUIPMENT SHALL BE EQUIPPED WITH OUTSIDE FRESH AIR INTAKES PROVIDING 5 CFM FOR EACH OCCUPANT AND 0.06 AREA-OUTDOOR RATE PER IMC SECTION 403.
4. RESTROOM VENT FANS SHALL PROVIDE 75 CFM OR MORE EXHAUST PER WATER CLOSET OR URINAL.
5. RESTROOM VENT FANS SHALL BE DUCTED DIRECTLY TO EXTERIOR OF BUILDING.

ELECTRICAL NOTES:

1. ALL CIRCUITS AND EQUIPMENT SHALL BE GROUNDED IN ACCORDANCE WITH THE APPROPRIATE ARTICLES OF THE NATIONAL ELECTRICAL CODE (NEC).
2. WHEN LIGHT FIXTURES ARE INSTALLED IN CLOSETS THEY SHALL BE SURFACE MOUNTED OR RECESSED. INCANDESCENT FIXTURES SHALL HAVE COMPLETELY ENCLOSED LAMPS. SURFACE MOUNTED INCANDESCENT FIXTURES SHALL HAVE A MINIMUM CLEARANCE OF 12 INCHES AND ALL OTHER FIXTURES SHALL HAVE A MINIMUM CLEARANCE OF 6 INCHES FROM "STORAGE AREA" AS DEFINED BY NEC 410-8(6).
3. WHEN WATER HEATERS ARE INSTALLED THEY SHALL BE PROVIDED WITH READILY ACCESSIBLE DISCONNECTS ADJACENT TO THE WATER HEATERS SERVED. THE BRANCH CIRCUIT SWITCH OR CIRCUIT BREAKER SHALL BE PERMITTED TO SERVE AS THE DISCONNECTING MEANS ONLY WHERE THE SWITCH OR CIRCUIT BREAKER IS WITHIN SIGHT FROM THE WATER HEATER OR IS CAPABLE OF BEING LOCKED IN THE OPEN POSITION.
4. HVAC EQUIPMENT SHALL BE PROVIDED WITH READILY ACCESSIBLE DISCONNECTS ADJACENT TO THE EQUIPMENT SERVED. A UNIT SWITCH WITH A MARKED "OFF" POSITION THAT IS A PART OF THE HVAC EQUIPMENT AND DISCONNECTS ALL UNGROUNDED CONDUCTORS SHALL BE PERMITTED AS THE DISCONNECTING MEANS WHERE OTHER DISCONNECTING MEANS ARE ALSO PROVIDED BY A MEANS TO ENERGIZING THE ELECTRICAL SYSTEM THE INTERRUPTING RATING OF THE MAIN BREAKER MUST BE DESIGNED AND VERIFIED AS BEING IN COMPLIANCE WITH SECTION 110-9 OF THE NEC BY LOCAL ELECTRICAL CONSULTANT.
6. THE MAIN ELECTRICAL PANEL AND FEEDERS ARE DESIGNED BY OTHERS, SITE INSTALLED AND SUBJECT TO LOCAL JURISDICTION APPROVAL.
7. ALL CIRCUITS CROSSING OVER MODULE MATING LINE(S) SHALL BE SITE CONNECTED WITH APPROVED ACCESSIBLE JUNCTION BOXES, OR CABLE CONNECTORS.
8. ALL RECEPTACLES INSTALLED IN WET LOCATIONS (EXTERIOR) SHALL BE IN WEATHER PROOF (WP) ENCLOSURES. THE INTEGRITY OF WHICH IS NOT AFFECTED WHEN AN ATTACHMENT PLUG CAP IS INSERTED OR REMOVED. THE RECEPT ITSELF SHALL ALSO BE LISTED FOR DAMP AND WET LOCATIONS.
9. EXTERIOR LIGHTS NOT INTENDED FOR 24 HOUR USE SHALL BE CONNECTED TO A PHOTOCELL OR TIMER.

ATTENTION LOCAL INSPECTIONS DEPARTMENT

SITE INSTALLED ITEMS

- THE FOLLOWING ITEMS HAVE NOT BEEN COMPLETED BY THE MANUFACTURER, HAVE NOT BEEN INSPECTED BY 3rd PARTY AND ARE NOT CERTIFIED BY THE STATE MODULAR LABEL. NOTE THAT THIS LIST DOES NOT NECESSARILY LIMIT THE ITEMS OF WORK AND MATERIAL THAT MAY BE REQUIRED FOR A COMPLETE INSTALLATION. ALL SITE RELATED ITEMS ARE SUBJECT TO LOCAL JURISDICTION APPROVAL. CODE COMPLIANCE MUST BE DETERMINED AT THE LOCAL LEVEL.
1. THE COMPLETE FOUNDATION SUPPORT AND THE DOWN SYSTEM.
 2. RAMPS, STAIRS AND GENERAL ACCESS TO THE BUILDING.
 3. PORTABLE FIRE EXTINGUISHER(S)
 4. DRINKING FOUNTAIN OR BOTTLED WATER, BUILDING DRAINS, CLEANOUTS, SERVICE SINK AND HOOK-UP TO PLUMBING SYSTEM.
 5. ELECTRICAL SERVICE HOOK-UP (INCLUDING FEEDERS) TO THE BUILDING.
 6. THE MAIN ELECTRICAL PANEL AND SUB-FEEDERS
 7. CONNECTION OF ELECTRICAL CIRCUITS CROSSING OVER MODULE MATING LINE(S) - (MULTI-UNITS ONLY).
 8. STRUCTURAL AND AESTHETIC INTERCONNECTIONS BETWEEN MODULES (MULTI-UNITS ONLY).
 9. EXIT DISCHARGE LIGHTING (INCLUDING EMERGENCY)
 10. WINDOW AND DOOR HIGH WIND STORM COVERINGS (PER CODE) REFER TO GENERAL NOTES 3, 8 & 10.
 11. A SITE SPECIFIC FOUNDATION SHALL BE DESIGNED BY A LICENSED ENGINEER FOR EACH LOCATION THAT THE BUILDING WILL BE INSTALLED. THIS FOUNDATION PLAN IS PROVIDED FOR REFERENCE. MIN REQUIRED SUPPORT LOCATIONS AND MINIMUM GRAVITY LOADS AT THOSE SUPPORT LOCATIONS ARE SPECIFIED ON THIS REFERENCE PLAN. THE ENGINEER OF THE MODULAR BUILDING PLANS SHALL NOT BE HELD RESPONSIBLE FOR THE FOUNDATION DESIGN AND/OR STRUCTURAL COMPONENTS.

STRUCTURAL LOAD LIMITATIONS

- FLOOR LIVE LOAD:
 A. 50 PSF
 B. 2000 LB. CONCENTRATED LOAD OVER 30 INCH x 30 INCH AREA LOCATED ANYWHERE ON FLOOR
- ROOF LIVE LOAD:
 A. 20 PSF
- ROOF SNOW LOAD:
 A. Pg = 20 PSF GROUND SNOW LOAD
 B. Cc = 20 PSF FLAT ROOF SNOW LOAD
 C. Ce = 1.0 SNOW EXPOSURE FACTOR
 D. Is = 1.0 SNOW IMPORTANCE FACTOR
 E. Ct = 1.1 SNOW THERMAL FACTOR

- WIND LOAD: ASCE 7-10
 A. ULTIMATE WIND SPEED (3-SEC GUST): Vult=180 MPH
 B. NOMINAL WIND SPEED (3-SEC GUST): Vnom=140 MPH
 C. RISK CATEGORY II
 D. WIND EXPOSURE CATEGORY: EXP.=C
 E. INTERNAL PRESSURE COEFFICIENT: Cci=0.18
 F. COMPONENT & CLADDING ULTIMATE DESIGN PRESSURES (NOMINAL DESIGN PRESSURE) FOR ROOF ANGLES 0 TO 7 DEGREES:
 WALL ZONE 5: Pult=+/-94.4 PSF (Psd=+/-56.6 PSF)
 WALL ZONE 4: Pult=+/-76.5 PSF (Psd=+/-45.9 PSF)
 WALL ZONE 3: Pult=+/-71.1 PSF (Psd=+/-43.8 PSF)
 WALL ZONE 2: Pult=+/-67.8 PSF (Psd=+/-42.3 PSF)
 WALL ZONE 1: Pult=+/-60.5 PSF (Psd=+/-38.4 PSF)

- SEISMIC LOAD:
 A. Ie = 1.0 SEISMIC IMPORTANCE FACTOR
 B. D SITE CLASS
 C. D13 SEISMIC FORCE RESISTING SYSTEM
 D. C SEISMIC DESIGN CATEGORY
 E. EQUIVALENT LATERAL FORCE ANALYSIS PROCEDURE
 Sa = 0.337 MAPPED SPECTRAL RESPONSE COEF.
 S1 = 0.285 MAPPED SPECTRAL RESPONSE COEF.
 H. Sds = 0.49 SPECTRAL RESPONSE COEFFICIENT
 S11 = 0.334 SPECTRAL RESPONSE COEFFICIENT
 J. V = 1201 LB DESIGN BASE SHEAR
 K. R = 6.25 RESPONSE MODIFICATION COEFFICIENT
 L. Cs = 0.08 SEISMIC RESPONSE COEFFICIENT

FLOOD LOAD:
 THE MODULAR BUILDING UNITS ARE NOT DESIGNED TO BE SUBMERGED OR SUBJECT TO WAVE ACTION. IF INSTALLED IN A FLOOD PLAIN, THE MODULAR BUILDING UNITS MUST BE INSTALLED ABOVE THE MINIMUM BASE FLOOD ELEVATION DETERMINED FROM APPROPRIATE FLOOD ELEVATION MAPS FOR FLOOD LOADS.

LOUISIANA NOTES: (IF APPLICABLE)

1. Exterior site related items shall be addressed by the local engineer and/or contractor, and are out of the limitations of this approval. Such items are including, but not limited to: ramps, site plan, parking spaces, location of building with respect to property lines, exterior lighting, access to public ways, stairs handrails and site related utilities.
2. This approval is for the building design and construction only.
3. All accessibility related items listed are based on the 28 CFR Part 36, of the ADA Standards for Accessible Design.
4. The centerline of accessible toilets shall be 18" from the nearest adjacent wall.
5. Lavatories shall meet the criteria listed in Acc. Note # 10.
6. Hot water drain pipes shall be insulated or covered.
7. Faucets shall meet the criteria listed in Acc. Note # 10.
8. Mirrors shall meet the criteria listed in Acc. Note # 12.
9. Toilet room grab bars shall comply with Acc. Note # 8.
10. A 60" diameter clear floor space shall be provided within each occupiable room for turning.
11. All doors provided provide a minimum 32" clear width.
12. Maneuvering clearances at doors comply with figure 404.2.4.1.
13. Thresholds shall comply with Acc. Note # 15.
14. Changes in floor elevation shall comply with Acc. Note # 7.
15. See note # 1 regarding ramps and stairs.
16. Permanent signage shall comply with ADA 703.1.
 A. Signage, where provided for permanent rooms and spaces shall provide:
 (1). Braille and raised lettering as per 703.3
 (2). Letter/symbol to background color contrast per 703.5.1
 (3). A 60" height from floor to centerline of sign
 B. Other permanent signs which provide direction to or information about functional spaces of the building shall provide:
 (1). Letter character width to height proportion per 703.5.4
 (2). Character height proportion based on height of sign from finish floor per 703.5.5, and
 (3). Letter/symbol to background color contrast per 703.5.1.
17. Locks on doors in means of egress shall not require the use of a key, special device or special knowledge to open.
18. Door shall be capable of being opened with ONLY one releasing operation. Knobs w/ independent slide bolts are not acceptable.
19. Interior walls and ceilings shall have a flame spread of 0-200 and a smoke developed rating of 0-450.
20. Fire extinguishers, installed on site by others, shall comply with NFPA 10.

GENERAL NOTES:

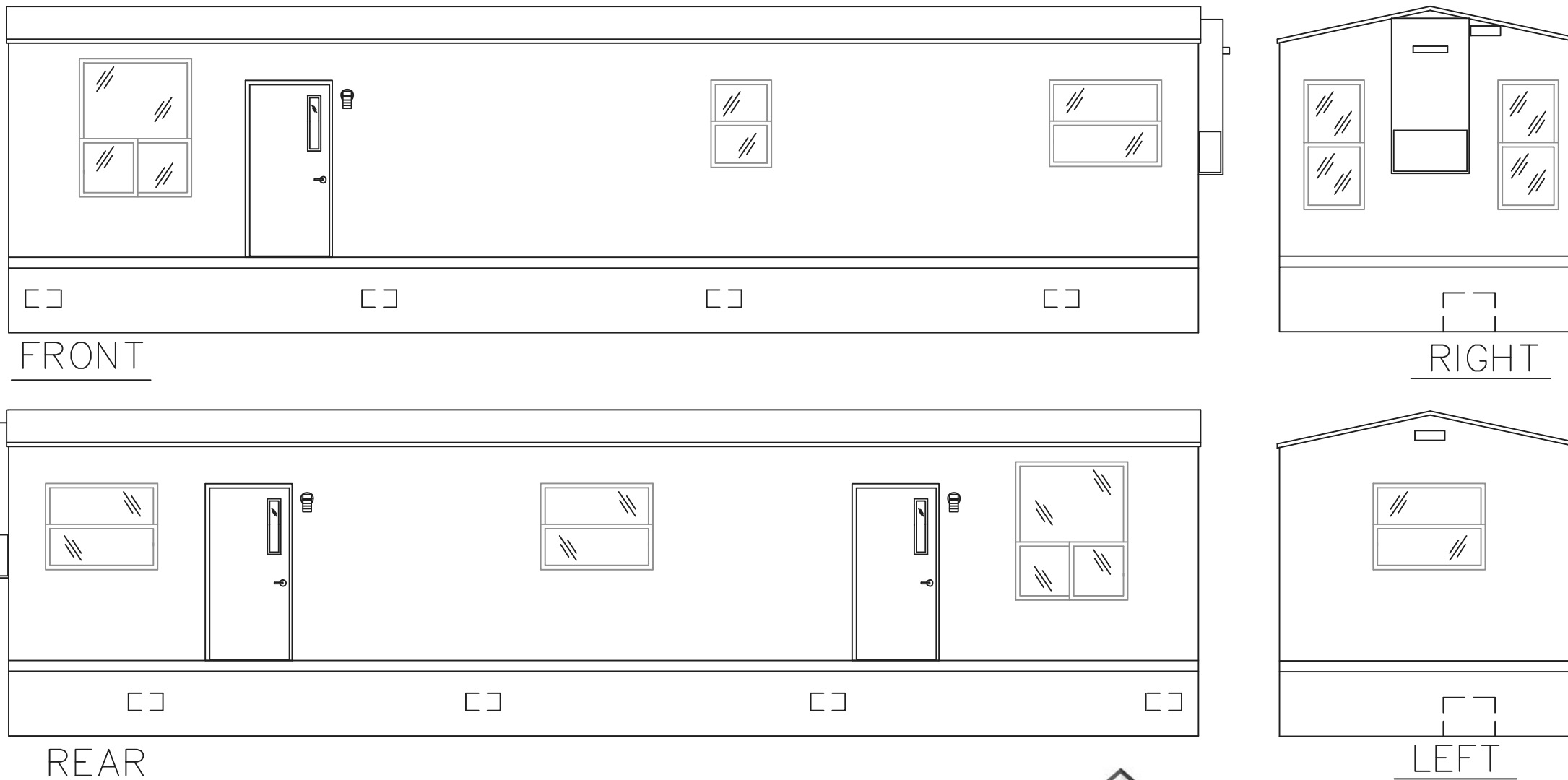
1. ACCESS TO BUILDING FOR PERSONS IN WHEELCHAIRS IS DESIGNED BY AND FIELD BUILT BY OTHERS AND SUBJECT TO LOCAL JURISDICTION APPROVAL. THE PRIMARY ENTRANCE MUST BE ACCESSIBLE.
2. ALL DOORS SHALL BE OPENABLE FROM THE EGRESS SIDE WITHOUT THE USE OF A KEY, TOOL, SPECIAL KNOWLEDGE OR EFFORT. MANUALLY OPERATED FLUSH BOLTS OR SURFACE BOLTS SHALL NOT BE USED.
3. ALL GLAZING WITHIN A 24 INCH ARC OF DOORS, WHOSE BOTTOM EDGE IS LESS THAN 60 INCHES ABOVE THE FLOOR, AND ALL GLAZING IN DOORS SHALL BE SAFETY, TEMPERED OR ACRYLIC PLASTIC SHEET.
4. ALL STEEL STRAPS REFERENCED ON FLOOR PLAN SHALL BE 1.5 INCH x 26 GA. WITH 8 - 15 GA. x 7/16 INCH CROWN x 1 INCH STAPLES EACH END OF STRAP OR EQUIVALENT FROM RIDGE BEAM TO COLUMN, AND COLUMN TO FLOOR.
5. PORTABLE FIRE EXTINGUISHER PER N.F.P.A. - 10 INSTALLED BY OTHERS ON SITE, AND SUBJECT TO LOCAL JURISDICTION.
6. PROVISIONS FOR EXIT DISCHARGE LIGHTING ARE THE RESPONSIBILITY OF THE BUILDING OWNER AND SUBJECT TO LOCAL JURISDICTION APPROVAL. WHEN NOT SHOWN ON THE FLOOR PLAN (INCLUDING EMERGENCY LIGHTING, WHEN REQUIRED).
7. WHEN LOW SIDES OF ROOF PROVIDE LESS THAN 8" OF OVERHANG, GUTTERS AND DOWN SPOUTS SHALL BE SITE INSTALLED, DESIGNED BY OTHERS, SUBJECT TO LOCAL JURISDICTION APPROVAL.
8. IN WIND-BORNE-DEBRIS REGIONS, GLAZING SHALL BE IMPACT RESISTANT OR PROTECTED WITH AN IMPACT RESISTANT COVERING MEETING THE REQUIREMENTS OF AN APPROVED IMPACT RESISTANT STANDARD, OR ASTM E1996. WIND-BORNE-DEBRIS REGIONS ARE DESIGNATED IN SECTION 1609 OF THE IBC.
9. FIRE SAFETY PLAN REVIEW AND INSPECTION IS RESERVED FOR THE LOCAL AUTHORITY HAVING JURISDICTION.
10. WINDOWS AND DOORS MUST BE CERTIFIED FOR COMPLIANCE WITH THE WIND DESIGN PRESSURE FOR COMPONENTS AND CLADDING.
11. STRUCTURAL DETAILS NOT INCLUDED IN THIS PLAN SET ARE TO BE CONSTRUCTED ACCORDING TO THE MANUFACTURERS STATE APPROVED BUILDING SYSTEM MANUAL.

PLUMBING NOTES:

1. TOILETS SHALL BE ELONGATED WITH NONABSORBENT OPEN FRONT SEATS.
2. REST ROOM WALLS SHALL BE COVERED WITH NONABSORBENT MATERIAL TO A MINIMUM HEIGHT OF 48 INCHES A.F.F. FLOORS SHALL HAVE SMOOTH, HARD, NONABSORBENT SURFACE THAT EXTENDS UPWARD ONTO THE WALLS AT LEAST 6 INCHES.
3. THIS UNIT MUST BE CONNECTED TO A PUBLIC WATER SUPPLY AND SEWER SYSTEM IF THESE ARE AVAILABLE.
4. ALL PLUMBING FIXTURES SHALL HAVE SEPARATE SHUTOFF VALVES.
5. WATER HEATER SHALL HAVE SAFETY PAN WITH 1 INCH DRAIN TO EXTERIOR. TAP RELIEF VALVE WITH DRAIN TO EXTERIOR, AND A SHUT OFF VALVE WITHIN 3 FEET ON A COLD WATER SUPPLY LINE.
6. DWV SYSTEM SHALL BE EITHER ABS OR PVC - DWV.
7. WATER SUPPLY LINES SHALL BE CPVC, OR COPPER, AND SHALL BE INSTALLED IN ACCORDANCE WITH THE MANUFACTURERS LIMITATIONS AND INSTRUCTIONS.
8. WATER CLOSETS ARE TANK TYPE AND URINALS ARE FLUSH TANK TYPE UNLESS OTHERWISE SPECIFIED.
9. BUILDING DRAIN AND CLEANOUTS ARE DESIGNED AND SITE INSTALLED BY OTHERS, SUBJECT TO LOCAL JURISDICTION APPROVAL.
10. SHOWERS SHALL BE CONTROLLED BY AN APPROVED MIXING VALVE WITH A MAXIMUM WATER OUTLET TEMPERATURE OF 120°F (48.9°C).
11. THERMAL EXPANSION DEVICE, IF REQUIRED BY WATER HEATER INSTALLED, AND IF NOT SHOWN ON PLUMBING PLAN, IS DESIGNED AND SITE INSTALLED BY OTHERS, SUBJECT TO LOCAL APPROVAL.
12. WATER PIPES INSTALLED IN A WALL EXPOSED TO THE EXTERIOR SHALL BE LOCATED ON THE HEATED SIDE OF THE WALL INSULATION. WATER PIPING INSTALLED IN AN UNCONDITIONED ATTIC SHALL BE INSULATED WITH AN INSULATION OF R-5.5 MINIMUM.
13. PIPING IN UNCONDITIONED SPACES MUST BE PROTECTED WITH INSULATION HAVING A MINIMUM R FACTOR OF 6.5 IN ACCORDANCE WITH SECTION 305.6.
14. THE USE OF THIS BUILDING WITHOUT THE MINIMUM NUMBER OF REQUIRED PLUMBING FIXTURES IS SUBJECT TO APPROVAL BY THE AUTHORITY HAVING JURISDICTION.
15. THE WATER HEATER SHALL HAVE CONTROLS TO ALLOW A SET POINT OF 90 DEGREES F. THE OUTLET TEMPERATURE OF LAVATORIES SHALL BE LIMITED TO 110 DEGREES F.
16. WATER HEATER SHALL BE PLUMBED WITH HEAT TRAPS ON THE SUPPLY AND DISCHARGE PIPING CONNECTED TO THE HEATER.
17. THE FIRST 6 FEET OF HOT WATER PIPING FROM THE WATER HEATER SHALL BE INSULATED WITH 0.5 INCH OF MATERIAL HAVING A CONDUCTIVITY NOT EXCEEDING 0.27 BTU PER INCH / h x ft x F.
18. TEMPERED WATER MUST BE DELIVERED THROUGH AN APPROVED WATER TEMPERATURE LIMITING DEVICE THAT CONFORMS TO ASSE 1070 OR CSA B125.3.

WINDOW & DOOR SPECIFICATIONS

1. DBL. PANE WINDOWS ARE REQUIRED FOR ALL CLIMATE ZONES. SEE THE COMCHECK ENERGY CALCULATIONS FOR THE MAXIMUM ALLOWED U-FACTOR AND SHGC.
2. THE MAXIMUM ALLOWABLE AIR LEAKAGE RATE FOR WINDOWS IS 0.3 CFM PER SQUARE FEET OF WINDOW AREA.
3. THE MAXIMUM ALLOWABLE AIR LEAKAGE RATE FOR EXTERIOR DOORS IS 0.3 CFM PER SQUARE FEET OF DOOR AREA.

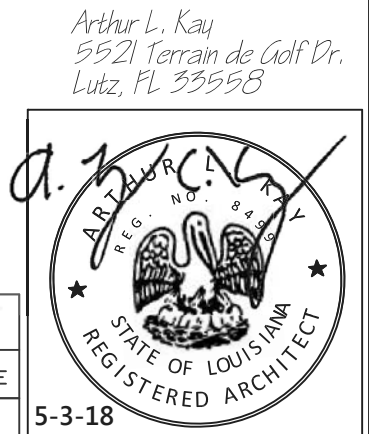


REVIEWED FOR STATE FIRE MARSHAL AS PER REVIEW LETTER BY: BRAD EVERETT

Brad Everett

TABLE OF CONTENTS

PAGE . . . 1 OF 3
ELEVATIONS, GENERAL NOTES
PAGE . . . 2 OF 3
FLOOR PLAN
ELECTRICAL
PAGE . . . 3 OF 3
CROSS SECTION, FOUNDATION



CODE SUMMARY

STATE	BUILDING	ELECTRICAL	MECHANICAL	PLUMBING	ACCESSIBILITY	ENERGY CODE
LOUISIANA	2015 IBC 2015 NFPA 101	2014 NEC	2015 IMC	2015 IPC w/amends	2010 ADASAD	ASHRAE 90.1-07

- (1) SKIRT, SKIRT VENTILATION, & ACCESS TO BE PROVIDED & INSTALLED BY OWNER ON SITE.
- (2) ALL GLASS IN DOORS & WITHIN 24" OF DOORS IS SAFETY GLAZED.
- (3) HANDICAP ACCESS REQUIREMENTS TO BE PROVIDED & INSTALLED BY OWNER ON SITE.
- (4) FOUNDATION ENCLOSURES (WHEN PROVIDED) MUST HAVE 1 SQUARE FOOT NET VENT AREA PER 150 SQ.FT. OF THE FLOOR AREA.
- (5) AN 18"x24" MINIMUM CRAWL SPACE ACCESS TO BE SITE INSTALLED BY OTHERS.

TR Custom INCORPORATED
 P.O. Box 1079 892 N. Broad St.
 Ellaville, GA 31806 (229) 937-2581
 www.trcustominc.com

SUBMITTAL #: 4947-LA 11'-8"x46'-0" BUSINESS OCCUPANCY

VANGUARD MODULAR BUILDING SYSTEMS

SERIAL# 1841355

DATE: APRIL 20, 2018

DRAWN BY: DRS

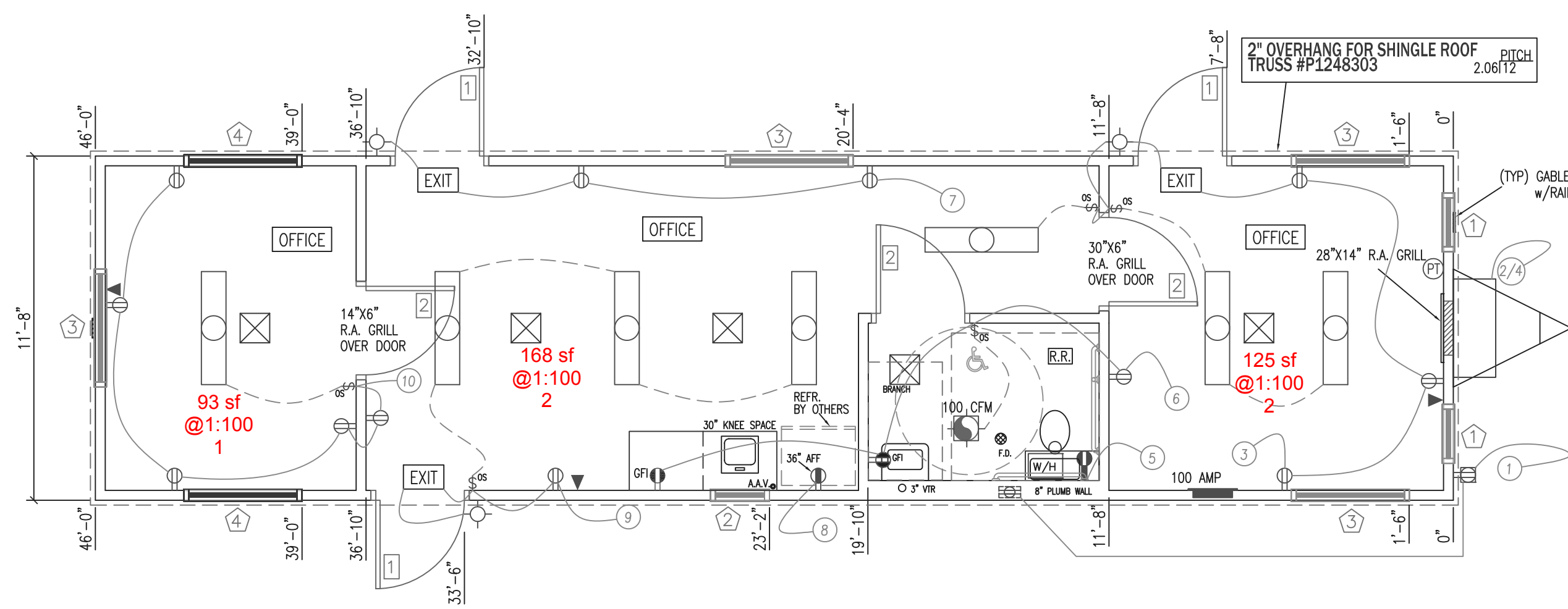
SCALE: NOTED SHEET #: 1 of 3

LOCATION: NEW ORLEANS, LA

FRAME & FLOOR BOX SIZE: 11'-8"x46'-0" (NEW) AXLES: (2+1) BEAM: 10" HITCH: STD. DET. XXX JOISTS: 2"x6" @ 16" O.C. INSULATION: R-19 KF DECKING: 23/32" T&G COVERING: 1/8" BLOCK TILE COLOR:	WALLS, WINDOWS, DOORS EXT. WALLS: 2"x4" @ 16" O.C. w/DBL. TOP PLATES INT. WALLS: 2"x4" STUDS @ 16" O.C. PLUMBING WALL: 8" @ 24" PER PLAN PLYWOOD SUPPORT: PORCH LIGHTS, T.P. HOLDERS, GRAB BARS, LAV & CABINET 3/4" PLYWOOD BEHIND ALL PLUMBING FIXTURES COVERING: 1/2" VINYL COVERED GYPSUM THRU OUT COLOR: EXT. INSUL: R-13 KF INT. INSUL: R-11 IN R.R. ONLY EXT. DOORS: (PAINTED) "TELL" ST DOORS w/216AV36 DOOR BOTTOM SHOE (3) 36"x80" ST/ST w/5"x20" V.B./LEVER HDW., DRIP CAP & CLOSER INT. DOORS: (3) 36"x80" 6-PANEL w/ LEVER HDW WINDOWS: (2) 24"x60" V.S. WHITE VINYL/LOW-E INSUL. 1/1 LOW E (1) 24"x36" V.S. WHITE VINYL/LOW-E INSUL. 1/1 LOW E @ 44" AFF OVER BAR SINK (4) 48"x36" V.S. WHITE VINYL/LOW-E INSUL. 1/1 LOW E (ALL w/MINI-BLINDS) (2) 48"x60" w/48"x36" FIXED @ TOP & 48"x24" H.S. @ BOT. #PA-25 WHITE ALUM. GLAZED w/3/4" BRONZE TEMPERED GLASS	ELECTRICAL SGL PHASE ENT. PANEL: (1) 100 AMP LIGHTS: NOTE: OCCUPANCY SENSOR SWITCHES \$ ^{OS} (7) 4' 2-TUBE w/ LENS (2) EXTERIOR W.P. PORCH LIGHT w/ PHOTO CELL (2) LIGHTED EXIT SIGN w/ BATTERY BACKUP (1) COMBO VENT FAN/LIGHT (1) 110V DEDICATED RECEPT @ 36" AFF FOR REFR. (2) 110V GFI RECEPT @ 44" AFF (1) 110V EXT. W.P. GFI RECEPT (WHILE IN USE) (1) 110V DED. W/H RECEPT @ 66" A.F.F. (1) 110V EXT. W.P. RECEPT UNDER UNIT FOR HEAT TAPE (3) PHONE JACK J-BOX (NO COVER) w/CONDUIT THRU FLOOR	PLUMBING TYPE: CPVC SUPPLY LINES PVC WASTE LINES WALL HUNG LAV: (1) w/ PLYWOOD SUPPORT MIRROR: (1) 40" AFF TO BOT. COMMODO: (1) HANDICAP (1) T.P. HOLDER WATER HEATER: (1) 4 GAL. IN O.H. CAB. IN R.R. GRAB BARS: (1) 36" (1) 42" @ 33" AFF (1) 18" VERTICAL FURNITURE: 5 LF FORMICA COUNTERTOP @ 34" A.F.F. w/15"x15" S.S. BAR SINK & GOOSENECK FAUCET 30" BASE CABINET & 30" KNEESPACE BELOW FORMICA COLOR: ALMOND TOP w/ WOODGRAIN FRONT	ROOF 2x ROOF RAIL CLG HGT. 8' SHINGLE OVER DBL. LAYER 15# FELT COLOR: TRUSS: #P1248303 @ 24" O.C. PEAK (8-20-8) (137") CEILING: 1/2" SEASPRAY FIBERGLASS DUCT (R-6) SUPPLY BRANCH DUCTED SUPPLY REGISTER INTO R.R. INSULATION: R-38 KF DECKING: 5" CDX PLYWOOD ATTIC VENTILATION: SEE PRINT (1) COMBO VENT FAN/LIGHT	EXTERIOR SHEATHING: FULL WRAP 7/16" O.S.B. * FULL WRAP HOUSE WRAP BOT. TRIM: FIBER CEMENT BOARD 1x4 OVER 1x8 COLOR: SIDING: CERTAINTED FIBER CEMENT BOARD TEXTURE: "SIERRA" OR "STUCCO" COLOR: TOP TRIM: FIBER CEMENT MANSARD "STUCCO" (ONLY) w/1x4 TRIM COLOR: * SIDEWALLS & ENDWALLS CONTINUOUS FROM TOP OF TRUSS TOP CHORD TO 3/4" MINIMUM BELOW TOP OF RIM JOIST WITH ALL SHEATHING EDGES SUPPORTED BY 2"x4" LUMBER #2 S.P.F. OR BETTER FASTENED WITH 8d SINKER NAILS 3" O.C. @ EDGES AND 10" O.C. IN THE FIELD DECALS: VANGUARD LINE WINDOW, DOOR & A/C OPENINGS w/VYCOR TAPE	A/C & HEAT HVAC: (1) W36A2-A10 60 AMP #6 WIRE HEAT: 10 KW DUCT: FIBERGLASS DUCT (R-6) SUPPLY RETURN AIR: SEE PRINT 1,100 CFM @ .3 IWC ESP THERMOSTAT: PROGRAMMABLE #TH4110D1007 (PT) RETURN AIR OPENING 28 1/2" x 14 1/2"
--	---	--	--	--	--	--

USE OFFSET FLANGE
F.D. (1) FLOOR DRAIN w/TRAP PRIMER (P-TRAP BY OTHERS)
NOTE: USE SGL. GANG BOX FOR OCCUPANCY SENSOR SWITCHES.
NOTE: DOUBLE EXTERIOR STUDS @ 48" O.C.
F.D. (1) FLOOR DRAIN w/TRAP PRIMER (P-TRAP BY OTHERS)
2" OVERHANG FOR SHINGLE ROOF

NOTE: ALL INTERIOR WALL AND CEILING FINISHES SHALL BE CLASS B OR BETTER IN CORRIDORS, AND CLASS C OR BETTER IN ROOMS AND ENCLOSED SPACES; CARPET SHALL BE CLASS II OR BETTER.



CIRCUIT	NOMENCLATURE	BREAKER (AMPS)	WIRE SIZE
1	GFCI PROTECT RECEPTS (EXT. & HEAT TAPE)	20 A	12-2
2/4	HVAC	60A(2P)	6-2 #10 GRND.
3,6,7,9,10	LIGHTS, RECEPTS, FAN, GFCI RECEPTS	20 A	12-2
5	WATER HEATER	20 A	12-2
8	REFRIDGERATOR	20 A	12-2

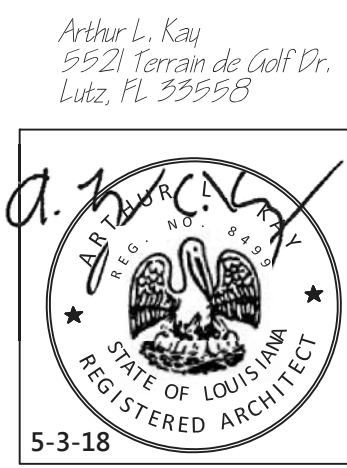
ELECTRICAL PANEL SIZING	
DESCRIPTION	KVA
GENERAL LIGHTING	
.0035 KW/SF X 537 SF X 1.25=	2.35
.18 RECEPTS AT 180VA/1000=	2.58
1 FAN AT .3 KW X 1.25=	0.4
1 DED W/H RECEPT @ 1.9 KW X 1.25=	2.4
1 DED REFR. RECEPT @ 1.5 KW =	1.5
HVAC	10.9
TOTAL 20.43 kw	
TOTAL/240 X 1000=	85.12 AMPS
INSTALL 100 AMP PANEL	
120/240 V 1Ø	

ELECTRICAL DISTRIBUTION PANEL	
⊖	110V EXT. W.P. GFI RECEPT (WHILE IN USE)
⊕	DUPLEX RECEPTACLE 120V
⊕	QUAD RECEPTACLE 120V
⊕	SGL. RECEPTACLE 220V
⊕	110V EXT. W.P. HEAT TAPE RECEPT
▼	J-BOX w/CONDUIT STUB FOR PHONE/DATA
⊕	SWITCH, 3-WAY, OCCUPANCY SENSOR, DIMMER
⊕	FLOURESCENT FIXTURE w/2 SUPER T8 25W TUBES (48W INPUT WATTAGE)
⊕	FLOURESCENT FIXTURE w/1-13W SPIRAL (14W INPUT WATTAGE)
⊕	EXHAUST FAN
⊕	COMBO EXHAUST FAN/LIGHT 100 CFM EXHAUST FAN/13W LIGHT (14W INPUT WATTAGE)
⊕	PROGRAMMABLE THERMOSTAT
EXIT	EXIT SIGN W/BATT. BACK-UP
EXIT	DIRECTIONAL EXIT SIGN W/BATT. BACK-UP
EXIT	COMBO EXIT SIGN/DUAL HEAD EMERG. LIGHT W/BATT. BACK-UP
⊕	DUAL HEAD EMERG. LIGHT W/BATT. BACK-UP

#	SIZE	JAMB	DESCRIPTION	HARDWARE
1	36"x80"	STEEL	STL/STL W/5"x20" V.B.	LEVER/CLOSER
2	36"x80"	PLASTIC	6 PANEL HOLLOW CORE	LEVER

#	SIZE	DESCRIPTION	FRAME/GLASS
1	24"x60"	VERTICAL SLIDE	VINYL LOW-E INSULATED
2	24"x36"	VERTICAL SLIDE	VINYL LOW-E INSULATED
3	48"x36"	VERTICAL SLIDE	VINYL LOW-E INSULATED
4	48"x60"	TOP 48"x36", FIXED BOT. 48"x24" H.S.	WHITE ALUM. w/ 3/4" BZ TEMP.

REVIEWED FOR STATE FIRE MARSHAL AS PER REVIEW LETTER BY: BRAD EVERETT
Brad Everett

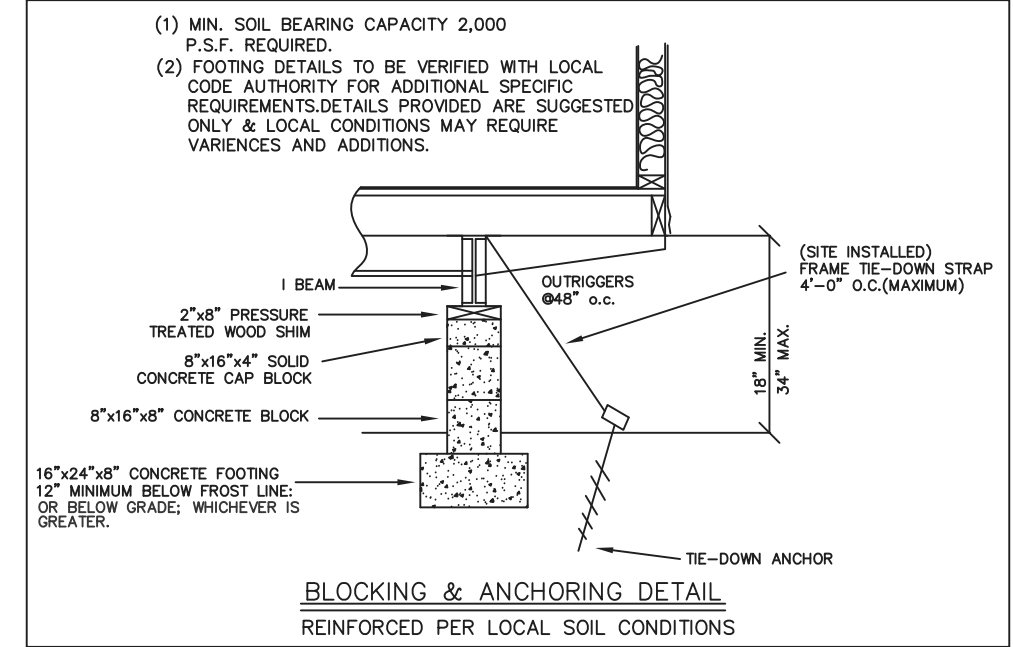
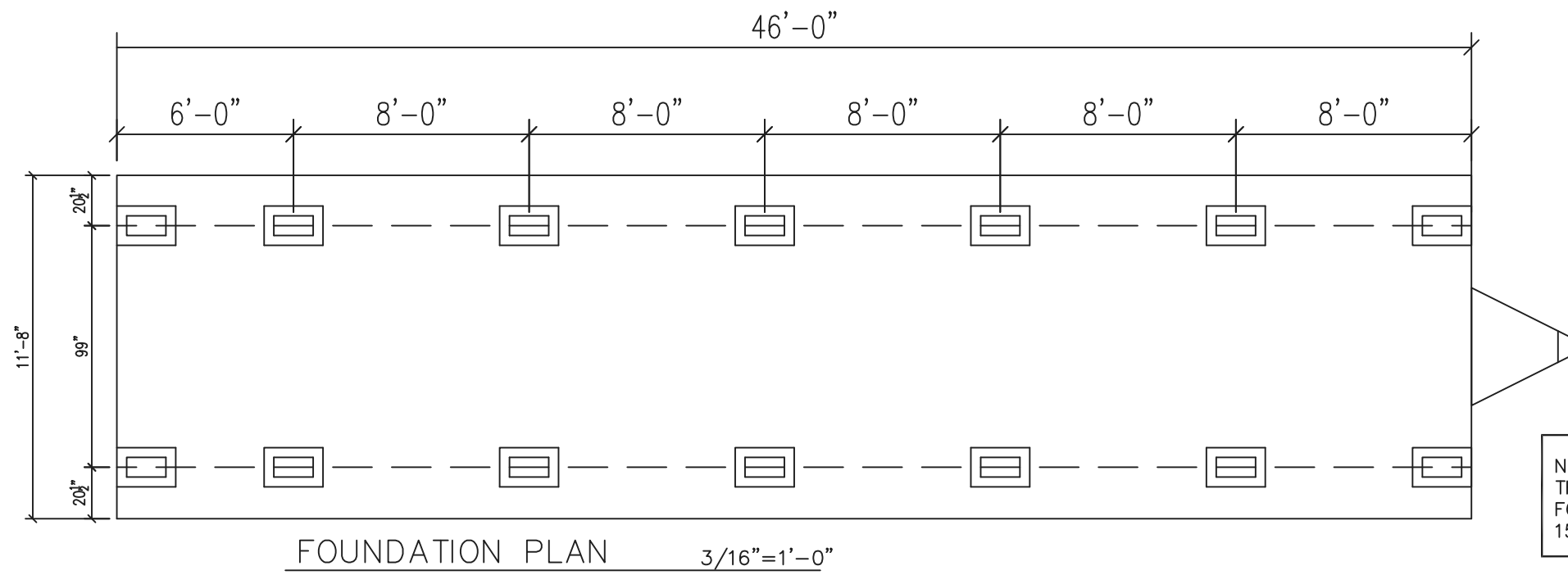


TR Custom INCORPORATED
P.O. Box 1079 892 N. Broad St.
Ellaville, GA 31806 (229) 937-2581
www.trcustominc.com

SUBMITTAL #: 4947-LA 11'-8"x46'-0" BUSINESS OCCUPANCY
VANGUARD MODULAR BUILDING SYSTEMS
SERIAL# 1841355
DATE: APRIL 20, 2018
DRAWN BY: DRS
SCALE: NOTED SHEET #: 2 of 3
LOCATION: NEW ORLEANS, LA

FOUNDATION NOTES:

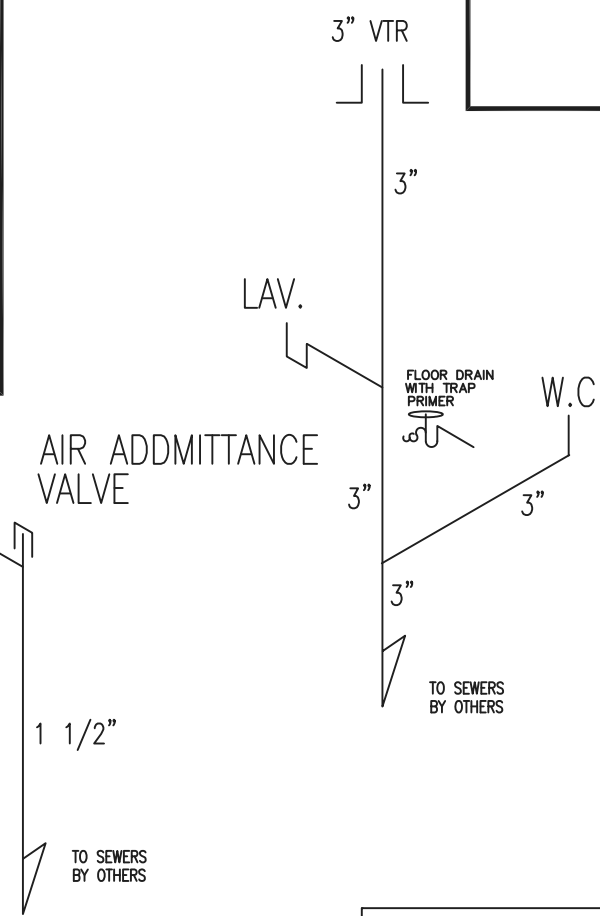
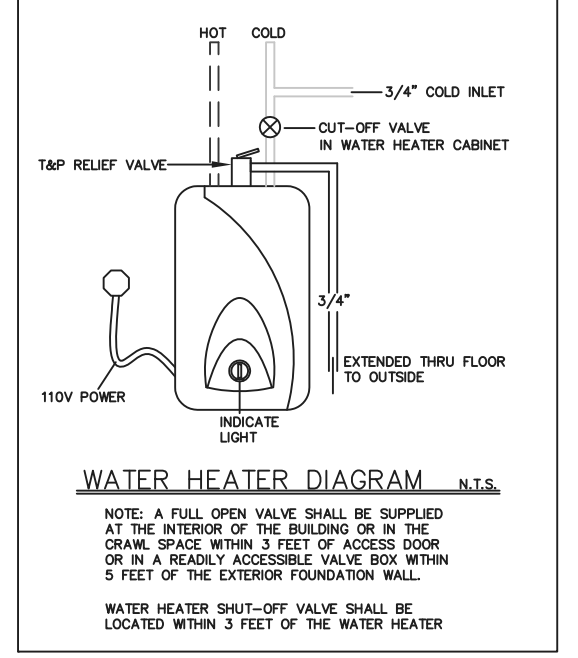
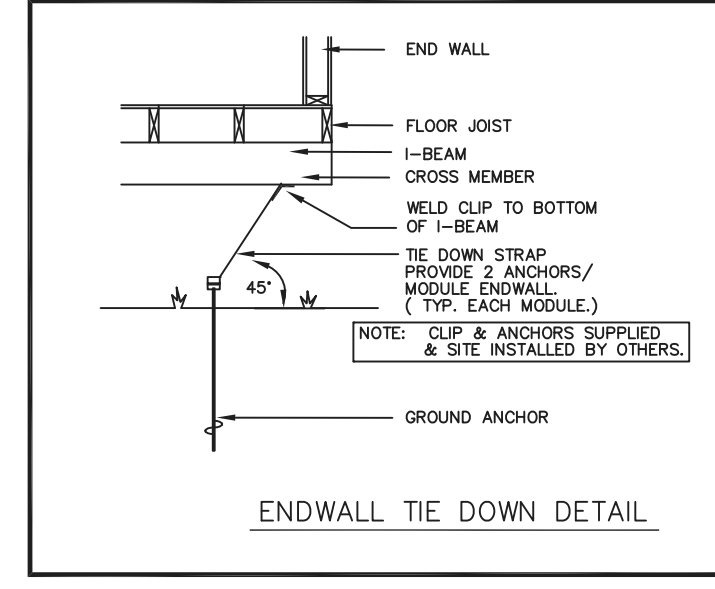
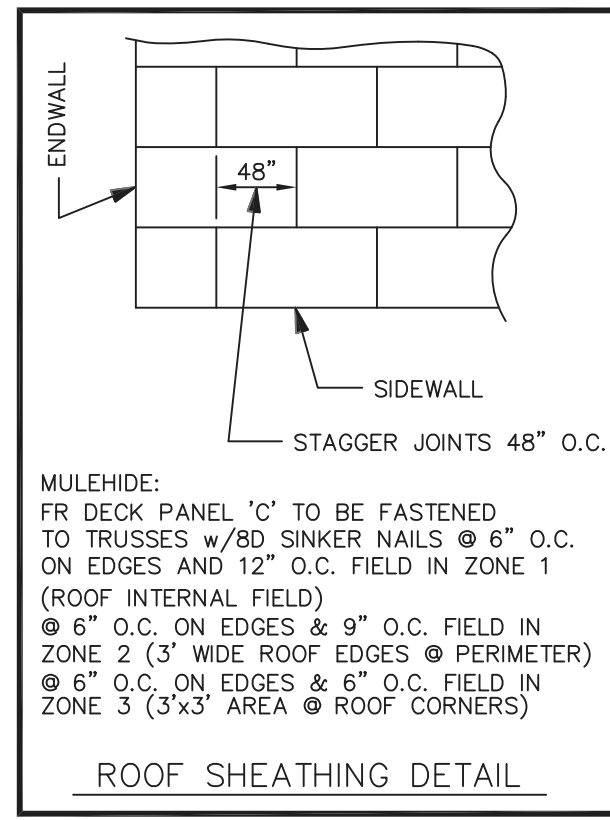
1. ALL FOUNDATION CONSTRUCTION, MATERIALS, AND INSTALLATION SHALL BE IN ACCORDANCE WITH ALL APPLICABLE STATE AND LOCAL CODES.
2. TIE-DOWN STRAPS TO BE 1-1/4" x .035" TYPE-1, FINISH B, GRADE 1 ZINC COATED STEEL STRAPPING CERTIFIED BY A REGISTERED ENGINEER OR ARCHITECT AS CONFORMING WITH ASTM D3953-91. TIE DOWN STRAPS AND CONNECTING HARDWARE SHALL HAVE 3150# MINIMUM WORKING CAPACITY.
3. EACH GROUND ANCHOR SHALL HAVE A WORKING CAPACITY NO LESS THAN THE SUM OF THE REQUIRED WORKING CAPACITIES OF ALL TIE DOWN STRAPS CONNECTED TO THE GROUND ANCHOR, AND SHALL BE INSTALLED IN ACCORDANCE WITH THE MANUFACTURER'S SPECIFICATIONS. DESIGN OF GROUND ANCHOR, INCLUDING SHAFT LENGTH, NUMBER AND DIAMETER OF HELICES, ETC., TO BE AS SPECIFIED BY THE GROUND ANCHOR MANUFACTURER FOR THE ACTUAL SOIL TYPE ENCOUNTERED. IF THE HOLDING OR PULLOUT CAPACITIES OF GROUND ANCHORS ARE BELOW THE ASSUMED DESIGN VALUES, THE ARCHITECT/ENGINEER MUST BE CONSULTED FOR AN ALTERNATE ANCHORAGE DESIGN.
4. THE FIRST TIE-DOWN STRAP FROM ENDWALLS SHALL NOT EXCEED 1/2 THE MAXIMUM SPACING INDICATED.
5. ALL PIERS SHALL BE CONSTRUCTED OF CONCRETE MASONRY UNITS CONFORMING TO ASTM C90. MASONRY UNITS SHALL BE LAID IN TYPE M OR S MORTAR OR COVERED WITH SURFACE BONDING CEMENT INSTALLED IN ACCORDANCE WITH ITS LISTING. PIER FOOTINGS SHALL BE AS DESCRIBED ABOVE.
6. MINIMUM CONCRETE FOOTING COMPRESSIVE STRENGTH 2,500 PSI AT 28 DAYS.
7. ALL REINFORCEMENT BARS SHALL COMPLY WITH ASTM A615, GRADE 60. REINFORCEMENT BARS SHALL BE EQUALLY SPACED AND PLACED WITH 3" CLEARANCE FROM BOTTOM AND SIDES OF THE FOOTING.
8. SEE SHEET ONE FOR DESIGN LOADS.
9. I-BEAM SUPPORT PIERS MAY BE INSTALLED LATERALLY (90° FROM THE ORIENTATION SHOWN ON THE FOUNDATION PLAN). CENTERLINE OF EACH PIER MUST BE LOCATED DIRECTLY BELOW THE I-BEAM CENTERLINE.
10. SOIL BEARING CAPACITY SHOWN ON THIS PLAN IS ASSUMED. IF THE ACTUAL SOIL BEARING CAPACITY IS LESS THAN 2,000 PSF, THE ARCHITECT/ENGINEER MUST BE CONSULTED FOR REQUIRED ALTERNATE FOUNDATION DESIGN. FOOTINGS SHALL BE PLACED ON NON-EXPANSIVE SOILS ONLY.
11. INSTALL BLOCK PIER ON EACH SIDE OF ALL EXTERIOR DOOR OPENINGS. SLIGHT ADJUSTMENT MAY BE REQUIRED TO INSURE OPENABILITY AFTER INSTALLATION OF BUILDING IS COMPLETE.
12. THE AREA UNDER FOOTINGS AND FOUNDATIONS SHALL HAVE ALL VEGETATION, STUMPS, ROOTS, AND FOREIGN MATERIALS REMOVED PRIOR TO THEIR CONSTRUCTION.
13. THE FOUNDATION DIMENSIONS SHOWN ARE NOMINAL. AN INCREASE IN MODULE WIDTH SHOULD BE EXPECTED DUE TO MODULE EXPANSION, SETTING TOLERANCES, ETC. THE FOUNDATION CONTRACTOR SHOULD CONSULT WITH THE MANUFACTURER OF THE MODULES PRIOR TO CONSTRUCTION OF THE FOUNDATION TO DETERMINE THE AMOUNT OF INCREASED WIDTH TO BE ADDED TO THE NOMINAL DIMENSIONS SHOWN ABOVE.



FOUNDATION, PIER BLOCKING, FOOTING, AND ANCHORING DETAILS SHOWN ON THESE PAGES ARE TO BE USED AS A REFERENCE SOURCE ONLY. IT WILL BE THE OWNERS RESPONSIBILITY TO CHECK WITH THE LOCAL CODE AUTHORITY TO VERIFY SPECIFIC REQUIREMENTS AFFECTING THE INSTALLATION, SETUP, AND UTILITY CONNECTION TO THIS BUILDING. T&R CUSTOM ASSUMES NO RESPONSIBILITY FOR LOCAL, COUNTY, AND MUNICIPAL CODE REQUIREMENTS FOR THIS STRUCTURE. ALTERNATE FOUNDATION PLANS MAY BE DESIGNED BY OTHERS AND SUBJECT TO JURISDICTION HAVING AUTHORITY.

ALTERNATE FOUNDATION PLAN MAY BE DESIGNED BY OTHERS

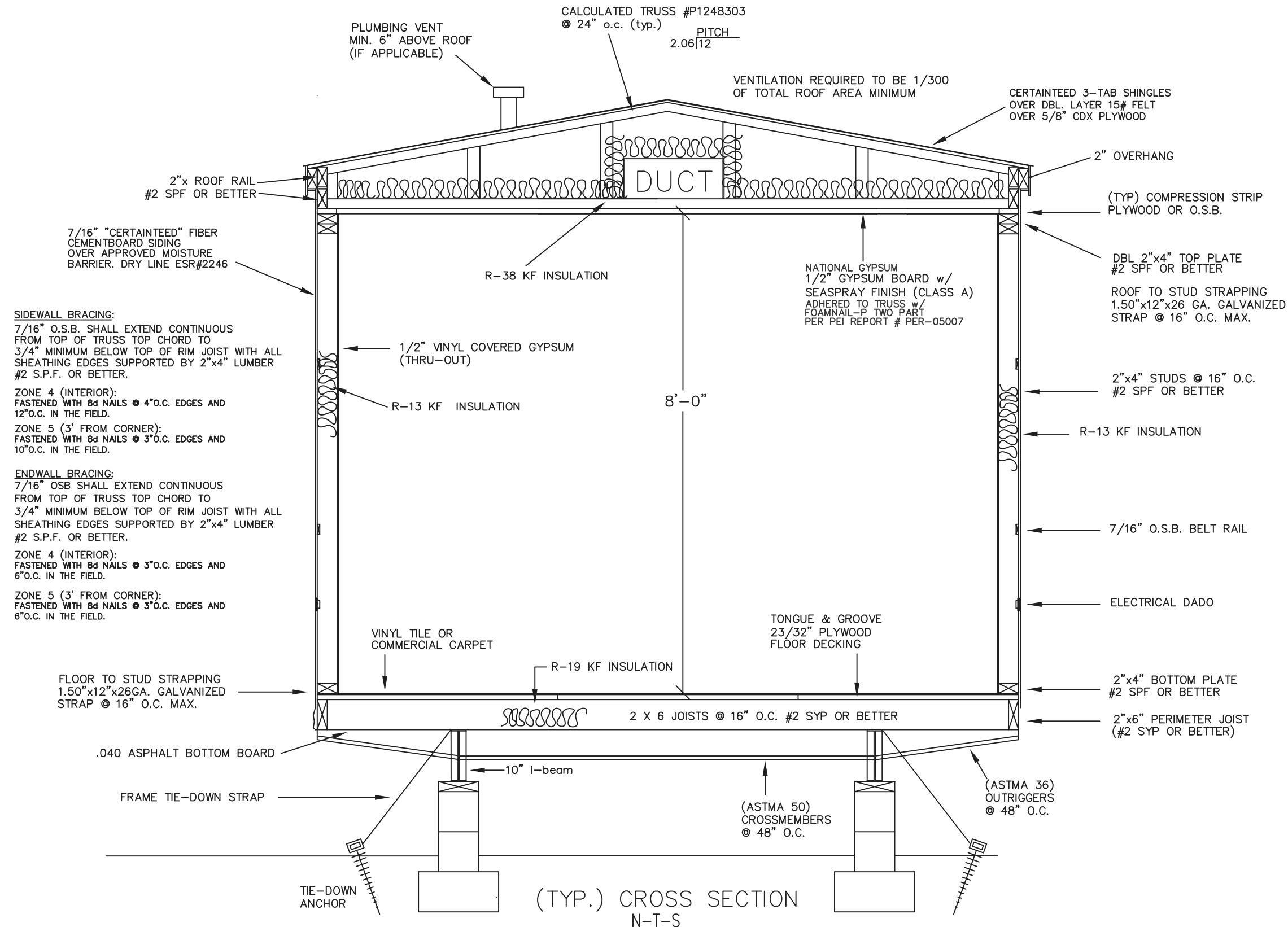
ADD A PIER DIRECTLY UNDER EACH SIDE OF EXTERIOR DOORS TO PREVENT MISALIGNMENT AND DRAGGING.



REVIEWED FOR STATE FIRE MARSHAL AS PER REVIEW LETTER BY: BRAD EVERETT

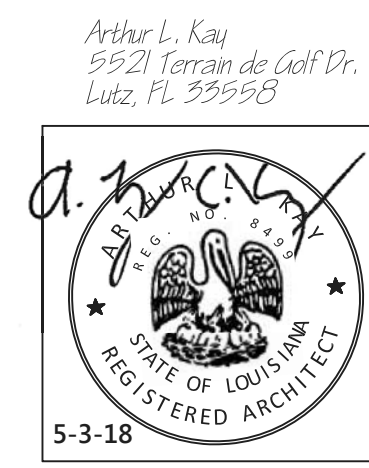
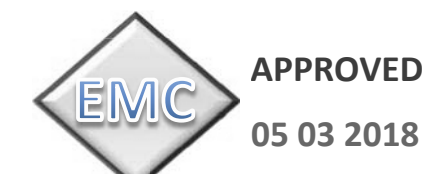
Brad Everett

* NOTE: THERMAL EXPANSION TANK, BACKFLOW PREVENTER, AND CUT-OFF VALVE IF REQUIRED TO BE SUPPLIED AND INSTALLED ON SITE BY OTHERS.



- DWV NOTES
- 1) PIPING SHALL BE PVC SCHEDULE 40
 - 2) ALL JOINTS SHALL BE MADE WITH FITTING EITHER SOLVENT WELDED OR THREADED ACCORDING TO APPROVED METHODS.
 - 3) VERTICAL PIPING SHALL BE SUPPORTED AT BASE, MIDDLE, AND TOP.
 - 4) HORIZONTAL PIPING SHALL BE SUPPORTED MINIMUM 48" O.C. AND AT EACH CHANGE OF DIRECTION.
 - 5) ALL P-TRAP EXTENSION ARMS OVER 36" MIN. MUST BE SUPPORTED AT BASE AND AS CLOSE TO P-TRAP AS POSSIBLE.
 - 6) PIPING 2.50" AND BELOW TO HAVE .25" FALL IN DIRECTION OF FLOW.
 - 7) PIPING 3.00" AND ABOVE TO HAVE .125" FALL IN DIRECTION OF FLOW.
 - 8) ALL VENTS THRU ROOF MUST PENETRATE ROOF COVERING A MIN. OF 6" AND MUST BE PROPERLY FLASHED.
 - 9) FLASHING TO BE LEAD, COPPER, ALUMINUM, PLASTIC, OR NEOPRENE OF AN APPROVED TYPE.
 - 10) ALL PIPING BELOW FLOOR NOT CONCEALED IN FLOOR CAVITY TO BE INSULATED WITH R-4 OR BETTER.

- SUPPLY LINE NOTES
- 1) ALL SUPPLY LINES TO BE CPVC EXCEPT WHERE NOTED OTHERWISE.
 - 2) ALL JOINTS TO BE BY MANUFACTURER APPROVED METHODS.
 - 3) ALL FITTINGS TO BE PLASTIC, CHROME, BRASS, OR OTHER APPROVED MATERIAL.
 - 4) ALL SUPPLY LINES TO HAVE APPROVED SHUTOFF VALVES.
 - 5) LINES TO BE SUPPORTED VERTICALLY MAXIMUM 48" O.C.
 - 6) LINES TO BE SUPPORTED HORIZONTALLY MAXIMUM 32" O.C.
 - 7) ALL PIPING BELOW FLOOR NOT CONCEALED IN FLOOR CAVITY TO BE INSULATED WITH MIN. R-4.
 - 8) INTERCONNECTION OF SEPARATE WATER HEATERS TO BE DONE ON SITE BY LICENSED PLUMBER AND SUBJECT TO LOCAL CODE JURISDICTION.



T&R Custom INCORPORATED
P.O. Box 1079 892 N. Broad St.
Ellaville, GA 31806 (229) 937-2581
www.trcustominc.com

SUBMITTAL #: 4947-LA 11'-8"x46'-0" BUSINESS OCCUPANCY
VANGUARD MODULAR BUILDING SYSTEMS
SERIAL# 1841355
DATE: APRIL 20, 2018
DRAWN BY: DRS
SCALE: NOTED SHEET #: 3 of 3
LOCATION: NEW ORLEANS, LA