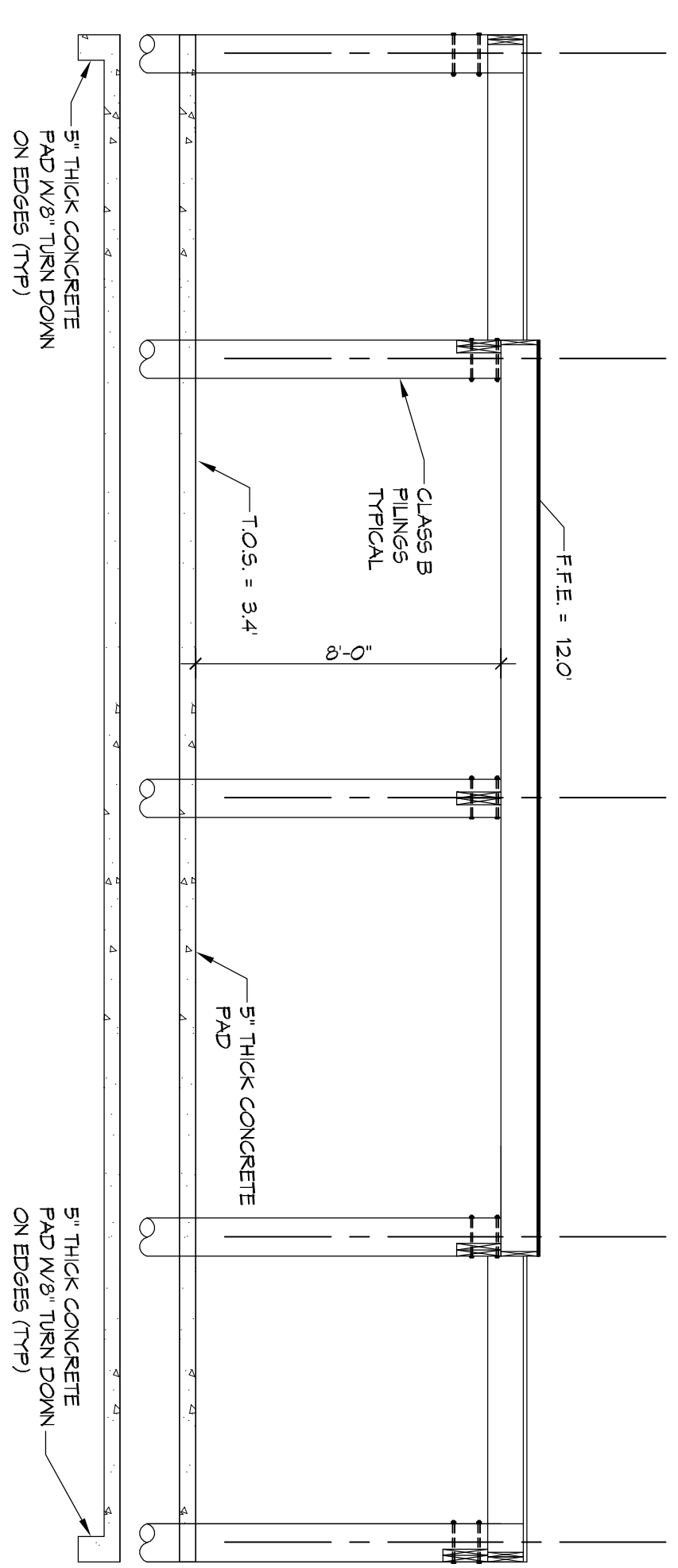
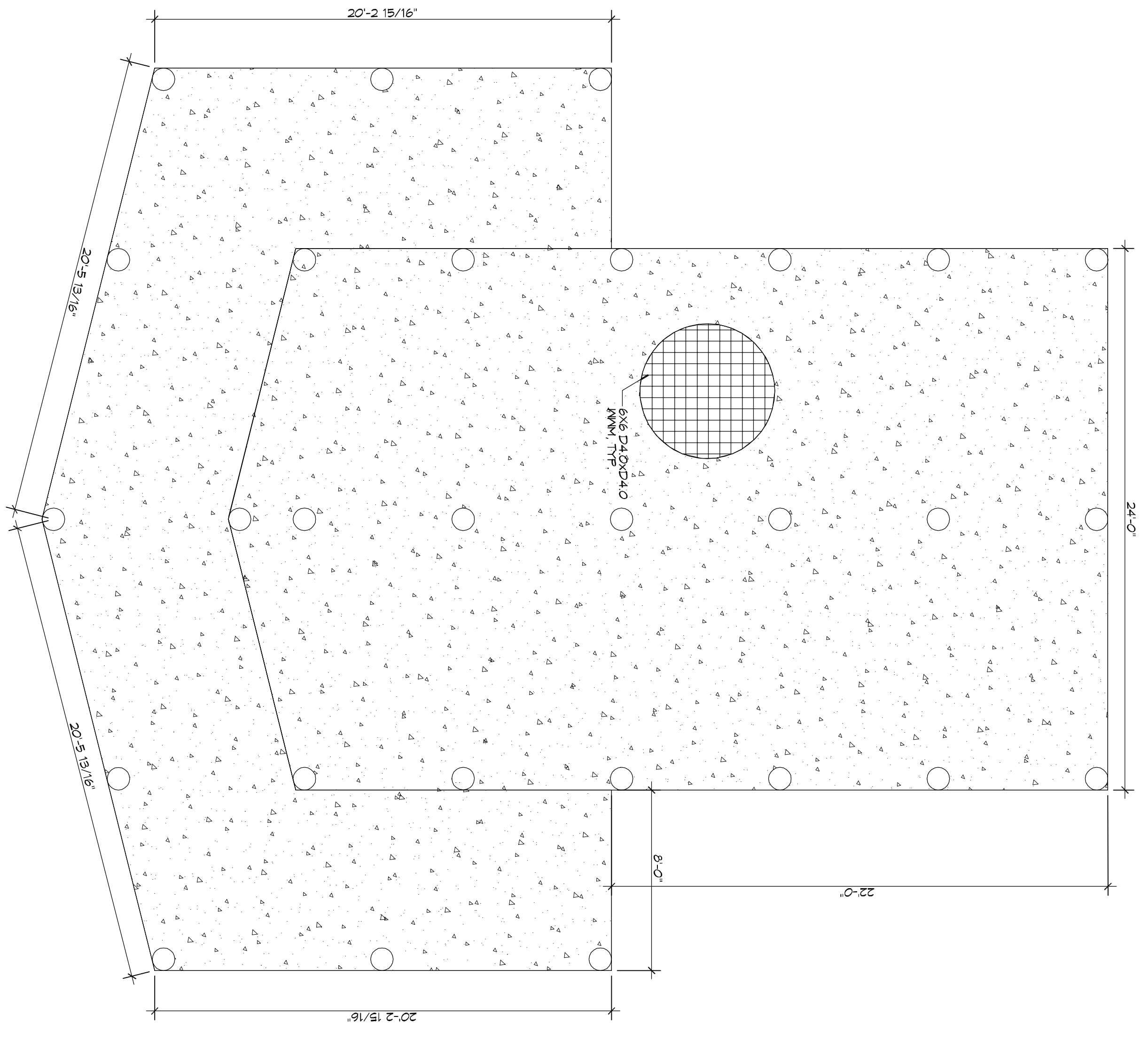


4 FOUNDATION PLAN

SCALE: 1/4" = 1'-0"

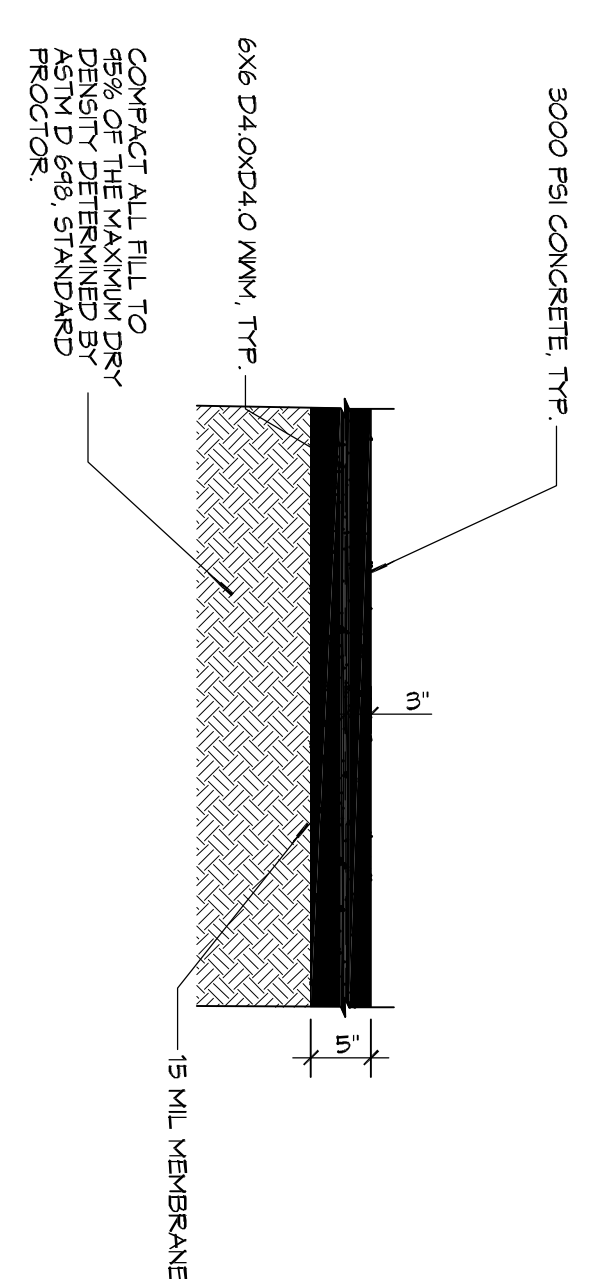


FOUNDATION SECTION

SCALE: 1/4" = 1'-0"

FOUNDATION NOTES

1. ALL DIMENSIONS ARE EDGE OF CONCRETE (EOC) TO EDGE OF CONCRETE (EOC) UNLESS NOTED OTHERWISE.
2. VERIFY ALL PLUMBING ROUGH-IN LOCATIONS ON ARCHITECTURAL DWGS.
3. CONCRETE MIX SHALL HAVE A MINIMUM COMPRESSIVE STRENGTH OF 3000 PSI AT 28 DAYS. CONCRETE MIX SHALL BE IN ACCORDANCE WITH ACI 318.
4. ALL CONVENTIONAL REINFORCING STEEL SHALL MEET ASTM-A615 (GRADE 60).
5. ONE LAYER OF POLYETHYLENE VAPOR BARRIER SHALL BE PLACED UNDER ALL CONCRETE VAPOR RETARDER TO BE MINIMUM 10 MIL THICKNESS. ASTM E 1745 CLASS A PERMEANCE LESS THAN 0.01 PERMS. EQUAL TO STEGO INDUSTRIES STENO MAKE. EQUALIZE 15 MIL BY 1/2" ON ROUNDS 15 BY FILTRACON FILMS. PROVIDE APPROXIMATE 1/2" OVERLAP ON JOINTS AND SEAMS.
6. ALL REINFORCING STEEL AND WELLS SHALL BE SECURED & SUPPORTED TO PRESENT BOTH VERTICAL AND HORIZONTAL NON-DEFORMING CONCRETE PLACEMENT.
7. THE CONTRACTOR SHALL VERIFY ALL DEPTHS, OFFSETS, BRICK LEDGES, DIMENSIONS AND CONFIGURATIONS CONTRACTOR MUST BE RESPONSIBLE FOR SAME.
8. GRADE BEAM DIMENSIONS MAY VARY BY -5% - +20%.
9. ALL SOIL BELOW SLAB SHALL RECEIVE TERMITITE TREATMENT.
10. MAKE AROUND BASE OF PILING AND SEAL AROUND PILING SO NOT WATER INTRUSION.
11. SLOPE FOUNDATION FROM CENTER TO OUTER.



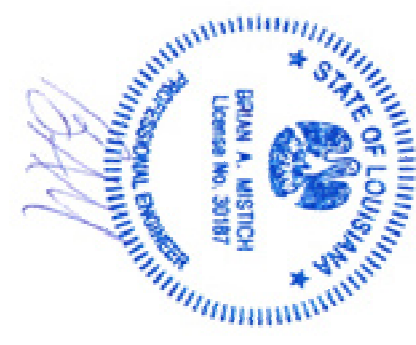
DETAIL

SCALE: 3/4" = 1'-0"

DAMMON ENGINEERING, INC.
LOUISIANA & MISSISSIPPI

Chief Engineer: Brian Mistich, PE
554 Old Spanish Trail
Slidell, LA 70458
www.dammonengineering.com
info@dammonengineering.com
PH: 985.649.5832

REVISIONS		DATE
#	DESCRIPTION	



STRUCTURAL DWGS
DENARDO DUNHAM
LOT 20
ISLAND DRIVE
LACOMBE, LA

JOB No: 2386 DATE: 06-26-2019
DRAWN BY: CKD CHECKED BY: CKD

SHEET TITLE:
FOUNDATION PLAN

DRAWING NUMBER:

S103

SHEET NO: 4 OF 5