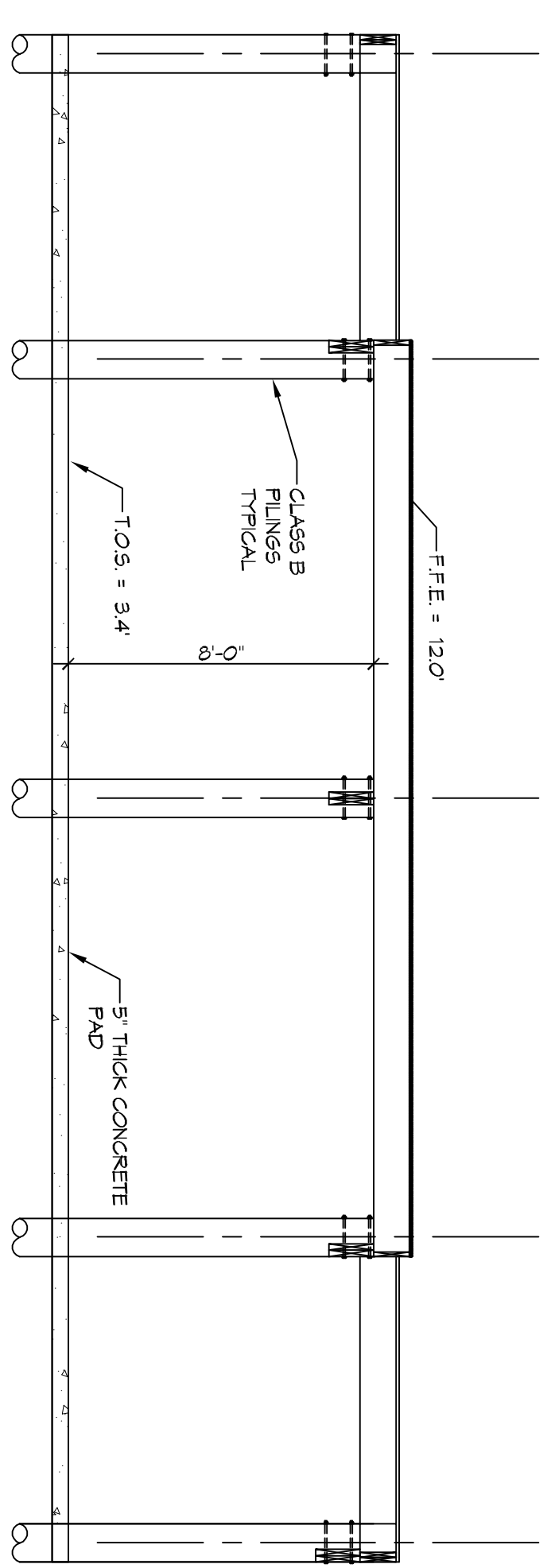
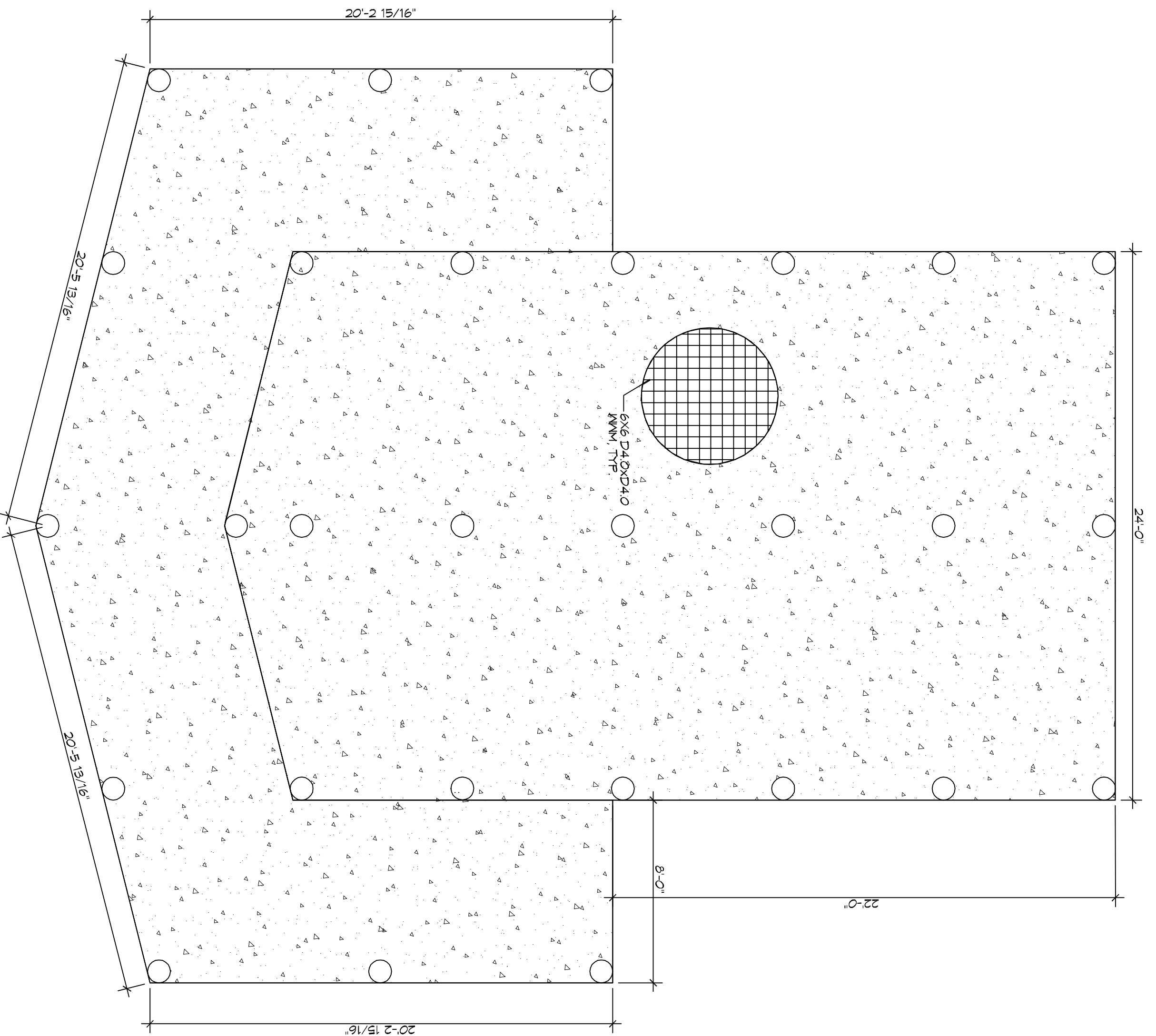


**FOUNDATION PLAN**

SCALE: 1/4" = 1'-0"



**FOUNDATION SECTION**

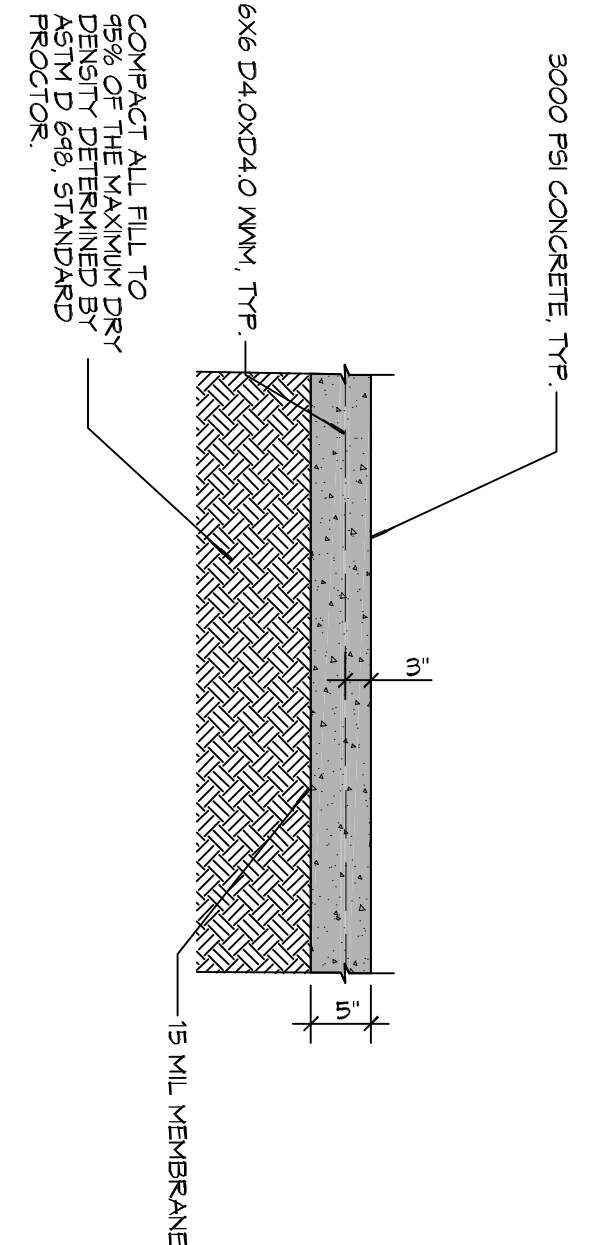
SCALE: 1/4" = 1'-0"

**FOUNDATION NOTES**

1. ALL DIMENSIONS ARE EDGE OF CONCRETE (EOC) TO EDGE OF CONCRETE (EOC) UNLESS NOTED OTHERWISE.
2. VERIFY ALL PLUMBING ROUGH-IN LOCATIONS ON ARCHITECTURAL DWGS.
3. CONCRETE MIX SHALL HAVE A MINIMUM COMPRESSIVE STRENGTH OF 3000 PSI AT 28 DAYS. CONCRETE MIX SHALL BE IN ACCORDANCE WITH ACI 318.
4. ALL CONVENTIONAL REINFORCING STEEL SHALL MEET ASTM-A615 (GRADE 60).
5. ONE LAYER OF POLYETHYLENE VAPOR BARRIER SHALL BE PLACED UNDER ALL CONCRETE VAPOR RETARDER TO BE MINIMUM 10 MIL THICKNESS, ASTM E 1745 CLASS A PERMEANCE LESS THAN 0.01 PERMS, EQUAL TO STEGO INDUSTRIES STENO KRYLAK ECOLIBRE 15 MIL BY ENJO OR ROYAL 15 BY FLINTCO TILYS. PROVIDE APPROXIMATE AREA OF VAPOR BARRIER TO BE PLACED.
6. ALL REINFORCING STEEL AND WELLS SHALL BE SECURED & SUPPORTED TO PRESENT BOTH VERTICAL AND HORIZONTAL NOMENBENT DURING CONCRETE PLACEMENT.
7. THE CONTRACTOR SHALL VERIFY ALL DIMS, OFFSETS, BRICK LEDGES, DIMENSIONS AND CONFIGURATIONS CONTRACTOR MUST BE RESPONSIBLE FOR SAME.
8. GRADE BEAM DIMENSIONS MAY VARY BY -5%, +20%.
9. ALL SOIL BEAM SLABS SHALL RECEIVE TESKITE TREATMENT.
10. SEAL AROUND PLINGS SO NOT WATER INTERS.
11. SLOPE FOUNDATION FROM CENTER TO OUTER.

**DETAIL**

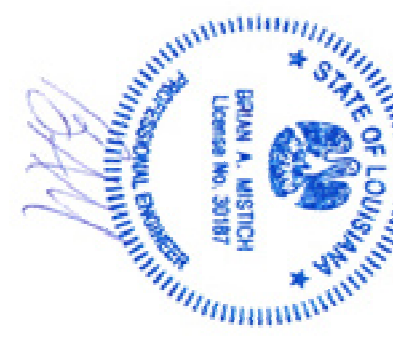
SCALE: 3/4" = 1'-0"



**DAMMON ENGINEERING, INC.**  
LOUISIANA & MISSISSIPPI

Chief Engineer: Brian Mistch, PE  
554 Old Spanish Trail  
Slidell, LA 70458  
www.dammonengineering.com  
info@dammonengineering.com  
PH: 985.649.5832

REVISIONS		DATE
#	DESCRIPTION	



STRUCTURAL DWGS  
**DENARD DUNHAM**  
LOT 20  
ISLAND DRIVE  
LACOMBE, LA

JOB No: 2986 DATE: 06-26-2019  
DRAWN BY: CKD CHECKED BY: CKD

SHEET TITLE:  
FOUNDATION PLAN

DRAWING NUMBER:

**5103**

SHEET NO: 4 OF 5