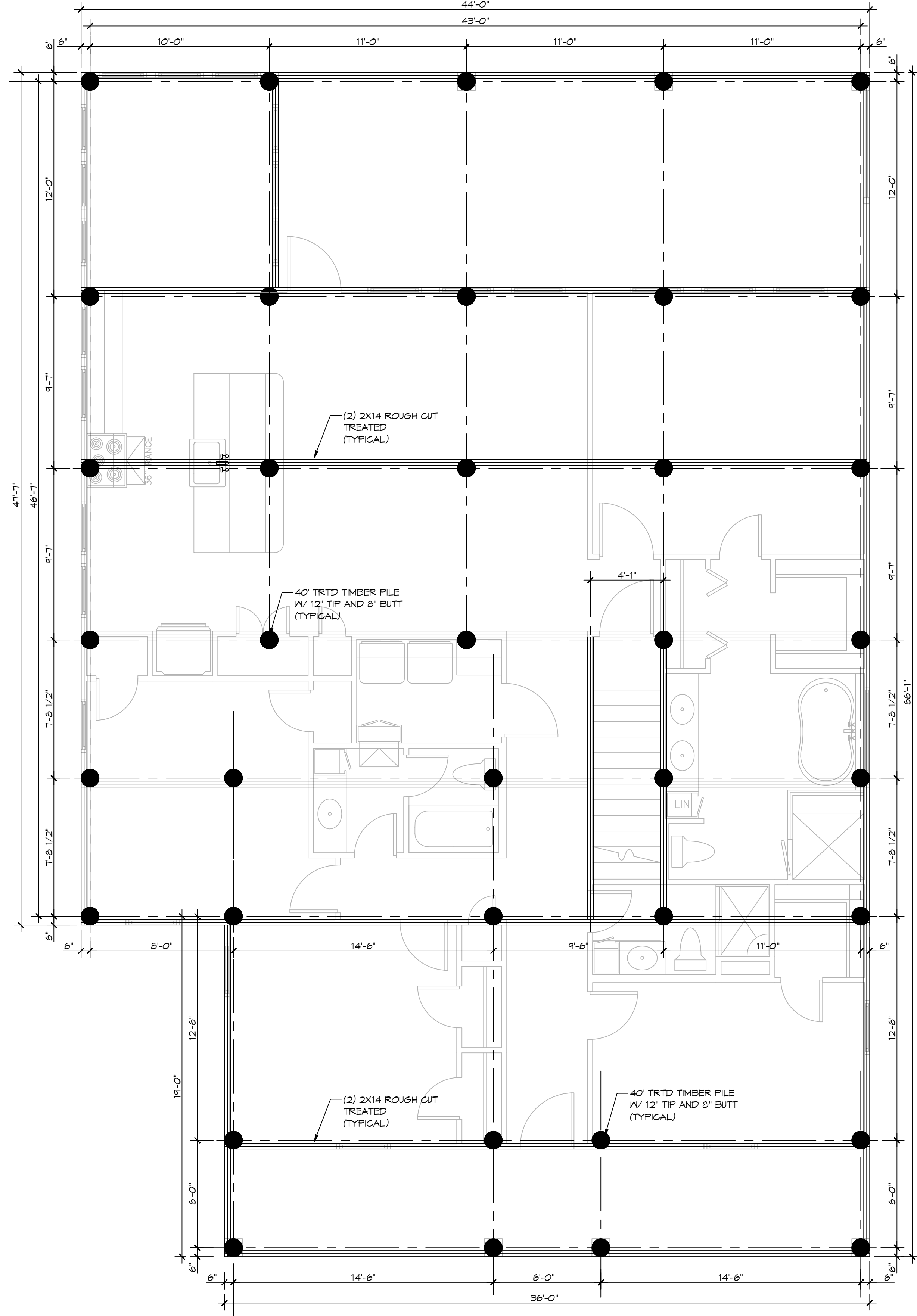


D:\WORK\14 - Construction of Residential 04\Archives - 03\Bama House\Architect\2023031011 - 0310 - 0310.dwg, PLOT DATE: 03/10/2023, 10:02:00 AM



1 PILING PLAN
SCALE: 1/4" = 1'-0"

DESIGN CRITERIA

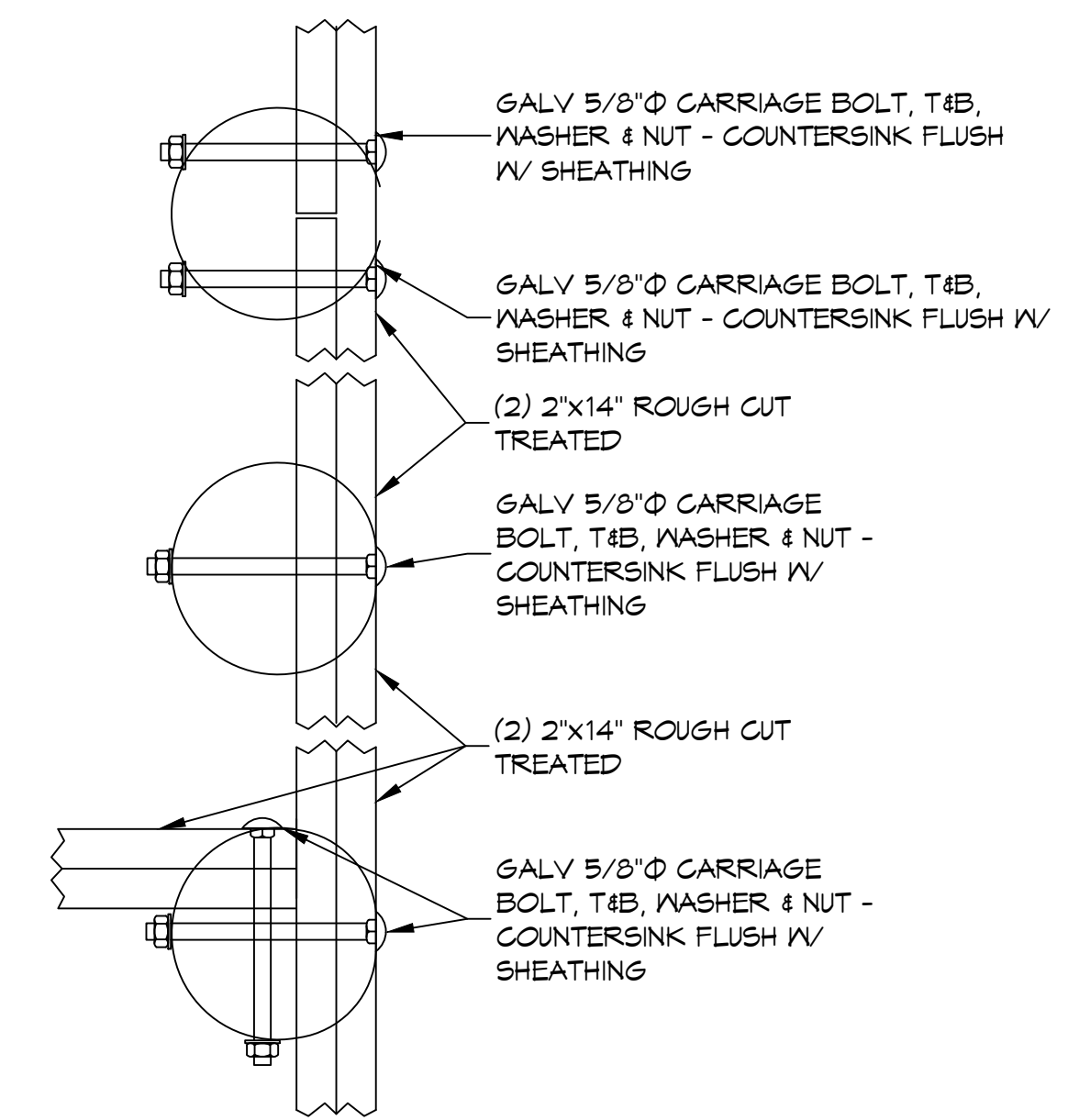
THE CONSTRUCTION FOR SAID RESIDENCE, WHERE BASIC WIND SPEED IS 140 MILES PER HOUR, WIND EXPOSURE ZONE C, IS DESIGNED IN ACCORDANCE WITH: AMERICAN FOREST AND PAPER ASSOCIATION (AF&PA) WOOD FRAME CONSTRUCTION MANUAL FOR ONE AND TWO FAMILY DWELLINGS (WFCM) 2001 EDITION AS WELL AS THE INTERNATIONAL RESIDENTIAL CODE (IRC) 2021 EDITION

PILING NOTES

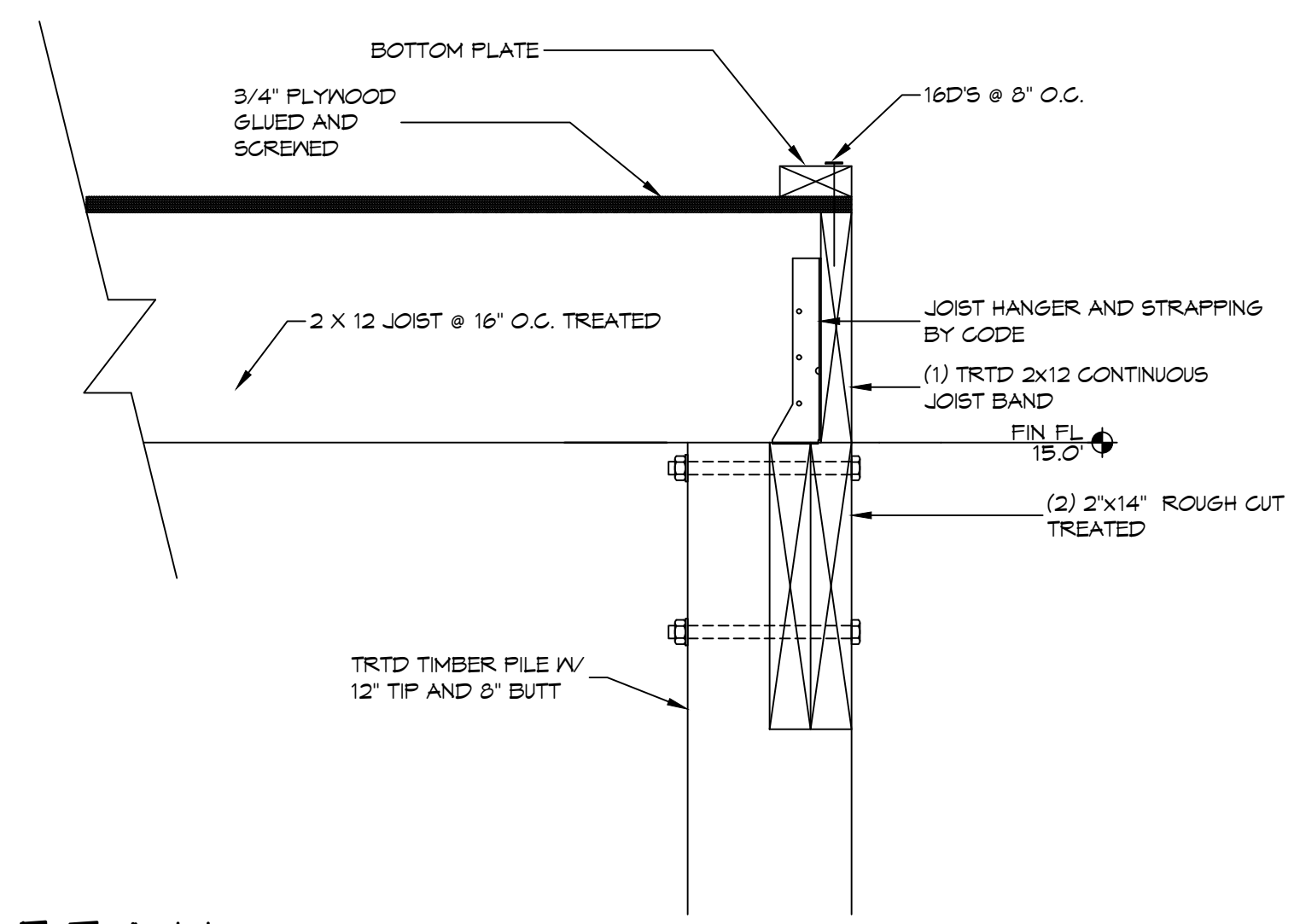
- FILES ARE TO BE 40 FT. IN LENGTH WITH A 8 INCH TIP AND 12" BUTT. DRIVEN TO REFUSAL.
- ALL FILES SHALL BE PRESSURE-TREATED ROUND TIMBER FILES CONFORMING TO ASTM D25.
- DESIGN LOAD = 5 TONS PER FILE.
- NO FIELD SUPERVISION OR INSPECTION PROVIDED UNDER THIS SEAL UNLESS OTHERWISE NOTED.
- PILE LAYOUT MAY BE MODIFIED DUE TO ACTUAL DRIVING CONDITIONS. ENGINEER TO BE NOTIFIED ON ANY MODIFICATION.
- A PILE BLOW COUNT LOG OF ALL PILES IS TO BE SUBMITTED TO THE ENGINEER OF RECORD. FAILURE TO SUBMIT SAID LOG WILL RELEASE THE ENGINEER OF ALL RESPONSIBILITY.
- CONTRACTOR IS RESPONSIBLE FOR THE COMPARISON & VERIFICATION OF PILE LAYOUT DIMENSIONS WITH MOST RECENT ARCHITECTURAL DRAWINGS, ASSURING THAT PILES DO FALL WITHIN LIMITS OF THE DESIGN.
- USE DROP HAMMER OR SINGLE ACTING AIR HAMMER DELIVERING 1500 FT-LBS OF ENERGY PER BLOW. RAM WEIGHT OF DROP HAMMER SHALL NOT EXCEED 2500 TO 3000 LBS AND THE DROP SHOULD NOT EXCEED 3 FT., AT A MINIMUM OF 25 BLOWS PER FOOT. IF THE DROP EXCEEDS 3 FT., CONTACT ENGINEER FOR INSTRUCTIONS.
- BRACE ALL PILING AS NEEDED FOR SWAYING.
- FIELD VERIFY DIMENSIONS AGAINST THE ARCHITECTURAL DRAWINGS

GENERAL NOTES

- ALL LUMBER SHALL BE PRESSURE TREATED WITH A RETENTION OF .4 PER G.F.
- ALL FASTENERS SHALL BE HOT DIPPED GALVANIZED (HDS) PER ASTM A193.
- ALL CONNECTORS SHALL BE HDG PER ASTM A653, CLASS G185 SHEET WITH 1.85 OZ/SF ZINC COATING.



DETAIL
SCALE: 1-1/2" = 1'-0"



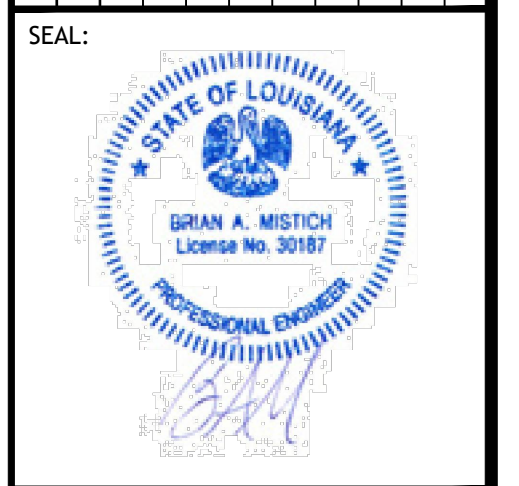
DETAIL
SCALE: 1-1/2" = 1'-0"

DAMMON ENGINEERING, INC.
LOUISIANA & MISSISSIPPI

www.dammonengineering.com
info@dammonengineering.com
PH: 985.649.8832

Chief Engineer: Brian Mistich, PE
554 Old Spanish Trail
Stell, LA 70458

REVISIONS	DATE
# DESCRIPTION	



PILING PLAN

ANTHONY & AMELIE PIZZA

34895 BAYOU LIBERTY ROAD
SULPPELL, LA 70460

JOB No: 2023 | DATE: 05-01-2023
DRAWN BY: CKD | CHECKED BY: BAM

SHEET TITLE:
PILING PLAN

DRAWING NUMBER:
S101

SHEET No: 1 of 1