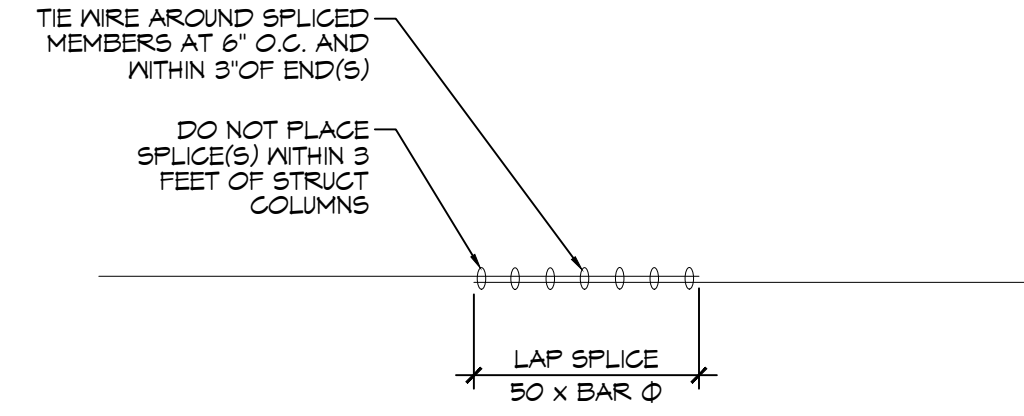
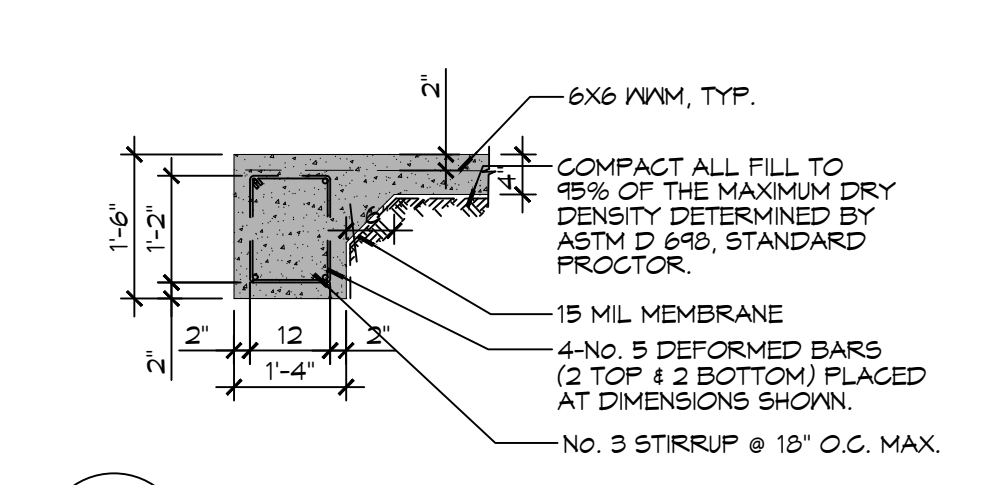


05-11-2025 10:00 AM - Foundation Plan (Sheet) - Cabinet: S:\Projects\2025\05-11-2025\05-11-2025 - Foundation Plan.dwg - User: brian.mitchell

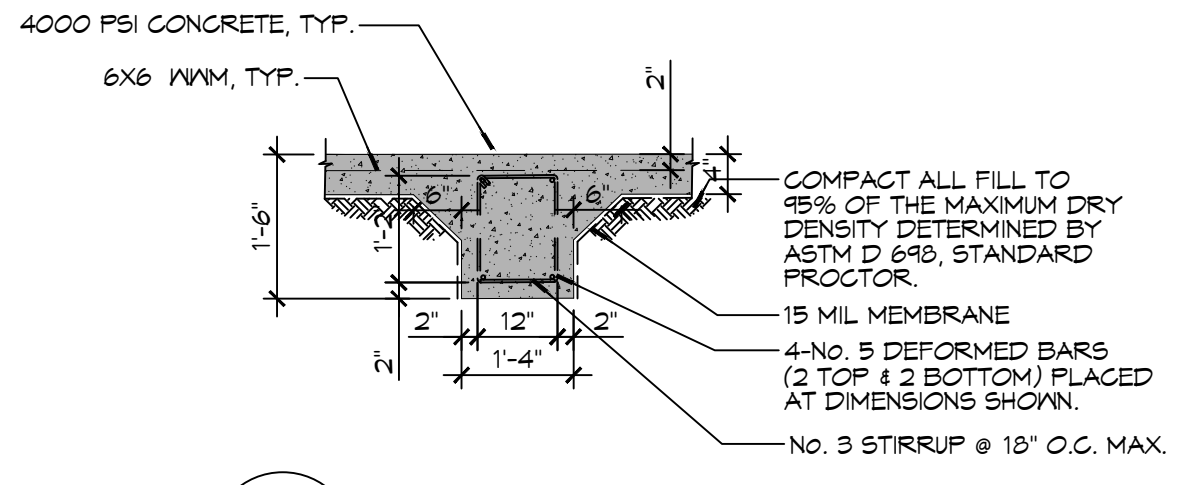


REBAR SPLICE

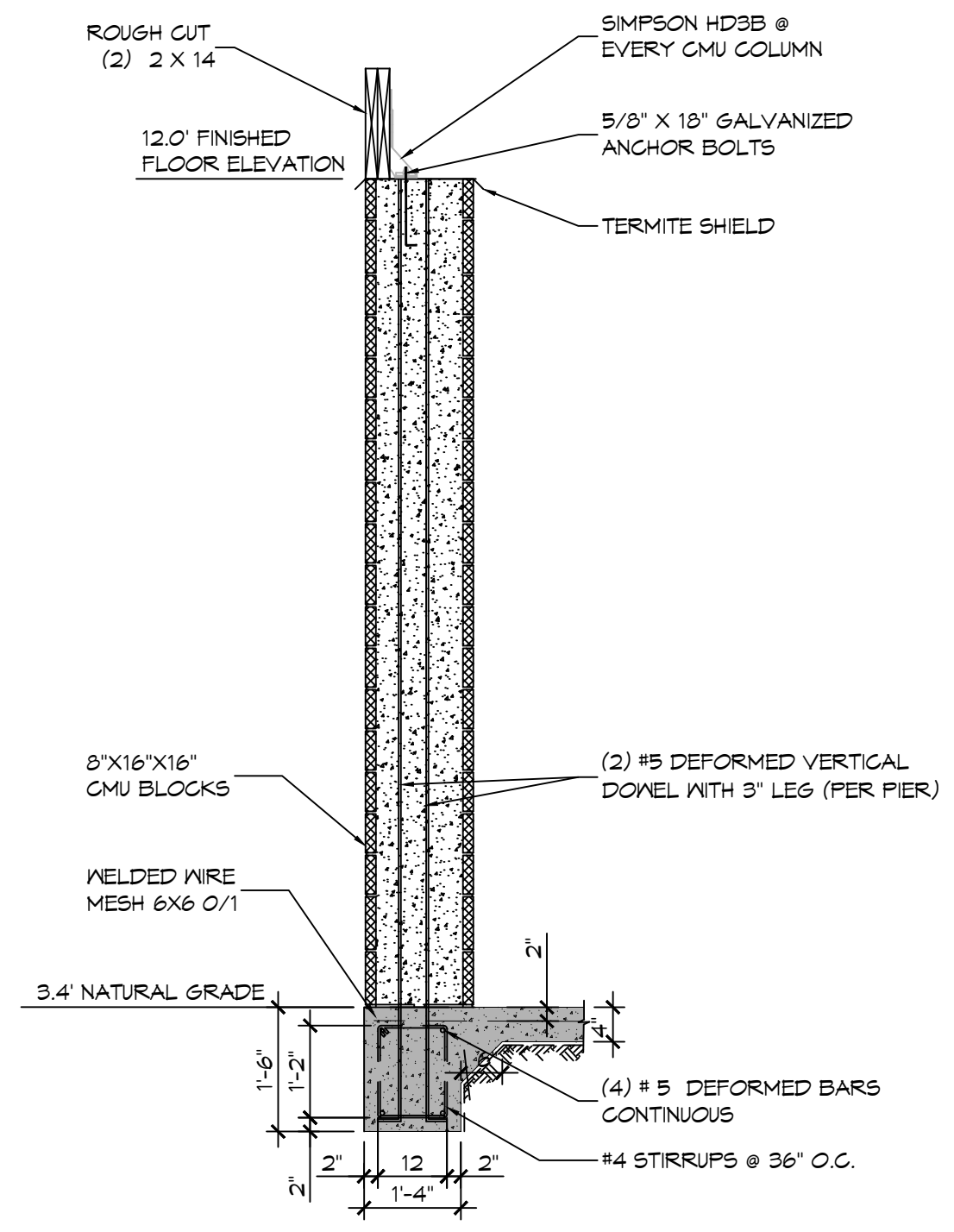
SCALE: 1/2" = 1'-0"



A SECTION
SCALE: 1/2" = 1'-0" EXTERIOR GRADE BEAM



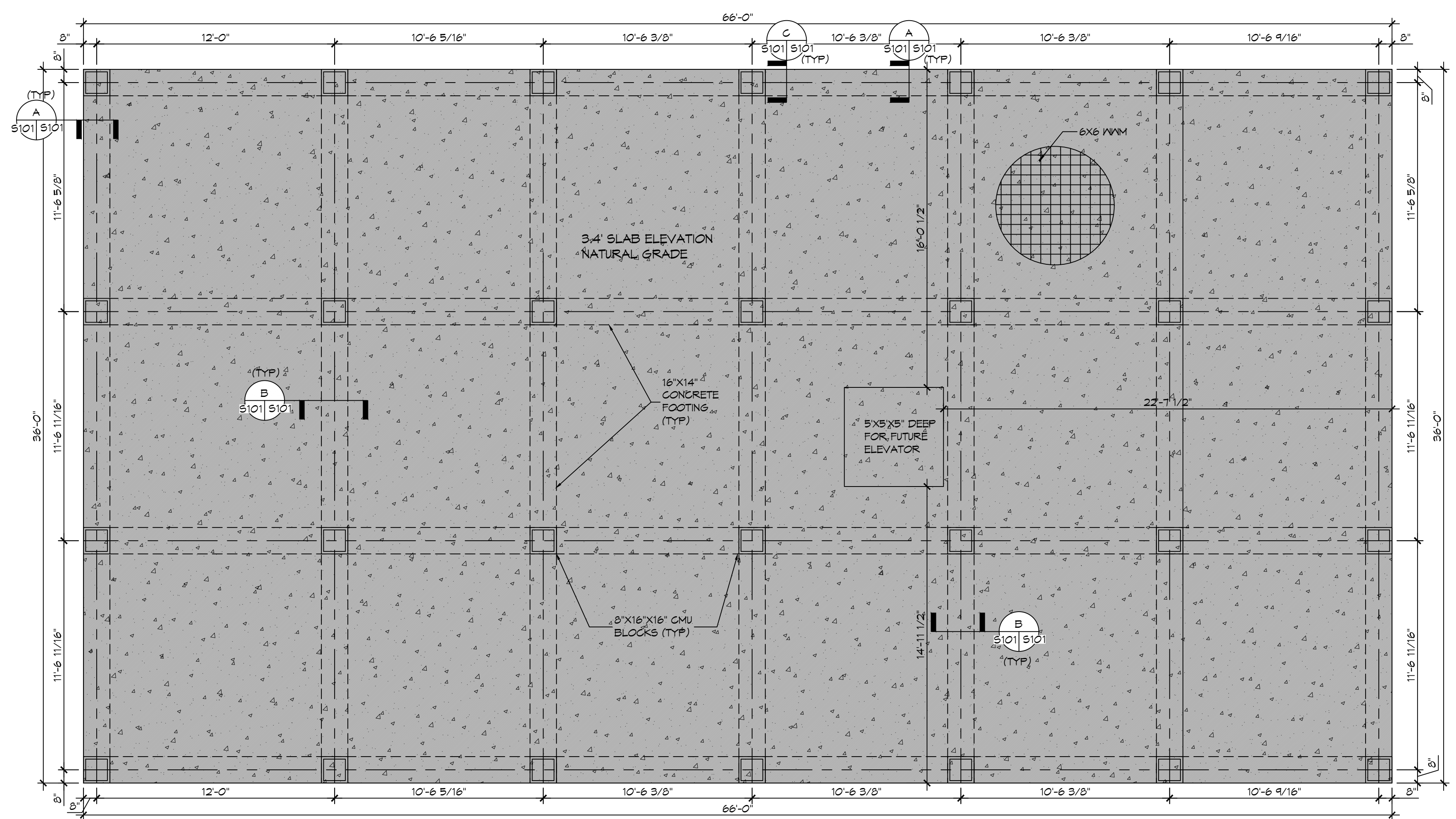
B SECTION
SCALE: 1/2" = 1'-0" INTERIOR GRADE BEAM



C SECTION
SCALE: 1/2" = 1'-0" EXTERIOR GRADE BEAM

GENERAL FOUNDATION NOTES

- ALL DIMENSIONS ARE EDGE OF CONCRETE (EOC) TO EDGE OF CONCRETE (EOC) UNLESS NOTED OTHERWISE.
- VERIFY ALL PLUMBING ROUGH-IN LOCATIONS AND DOUBLE UP ON FLOOR JOIST IN THOSE AREAS.
- CONCRETE MIX SHALL HAVE A MINIMUM COMPRESSIVE STRENGTH OF 4000 PSI AT 28 DAYS. CONCRETE MIX SHALL BE IN ACCORDANCE WITH ACI-318.
- ALL CONVENTIONAL REINFORCING STEEL SHALL MEET ASTM-A615 (GRADE 60).
- ONE LAYER OF POLYETHYLENE VAPOR BARRIER SHALL BE PLACED UNDER ALL CONCRETE. VAPOR RETARDER TO BE MINIMUM 10 MIL THICKNESS; ASTM E 1745 CLASS A, PERMEANCE LESS THAN 0.01 PERMS, EQUAL TO STEGO INDUSTRIES STEGO WRAP, ECOSHIELD-E 15 MIL BY EPRO, OR IRONBAR 15 BY FLATIRON FILMS. PROVIDE APPROPRIATE ACCESSORIES FOR A COMPLETE SYSTEM.
- ALL REINFORCING STEEL AND MESH SHALL BE SECURELY SUPPORTED TO PREVENT BOTH VERTICAL AND HORIZONTAL MOVEMENT DURING CONCRETE PLACEMENT.
- THE CONTRACTOR SHALL VERIFY ALL DROPS, OFFSETS, BRICK LEDGES, DIMENSIONS AND CONFIGURATIONS.
- GRADE BEAM DIMENSIONS MAY VARY BY -5%, +20%.
- FILL, AS A MINIMUM QUALITY, SHALL BE 40% CLAY AND 60% SANDY MIXTURE, PLACED IN 6" LIFTS AND COMPACTED TO A MINIMUM OF 95% STANDARD PROCTOR. FOOTINGS ARE DESIGNED TO USE SOIL WITH A BEARING PRESSURE OF 2000 LBS. PER SQUARE FOOT OR MORE. IT IS RECOMMENDED THAT THE OWNER VERIFY ALLOWABLE SOIL BEARING PRESSURE CAPACITY BY CONTRACTING THE SERVICES OF A SOILS ENGINEERING COMPANY.
- ALL SOIL BELOW SLAB SHALL RECEIVE TERMITE TREATMENT.



FOUNDATION PLAN
SCALE: 1/2" = 1'-0"

DAMMON ENGINEERING, INC.
 LOUISIANA & MISSISSIPPI
 Civil Engineers Brian Mitchell, PE
 564 Old Spanish Trail
 Slidell, LA 70458
 www.dammonengineering.com
 info@dammon.com
 PH: 985.649.5832

REVISIONS	DATE

SEAL:

BRETT CABRIRAC
 LOT 5 SQUARE 24
 ROBERT STREET
 SLIDELL, LA 70458
 DATE: 07-05-2025
 JOB No: BAY
 DRAWN BY: BAY
 CHECKED BY: CSD

SHEET TITLE:
FOUNDATION PLAN
 DRAWING NUMBER:
S101
 SHEET No: 6 of 8