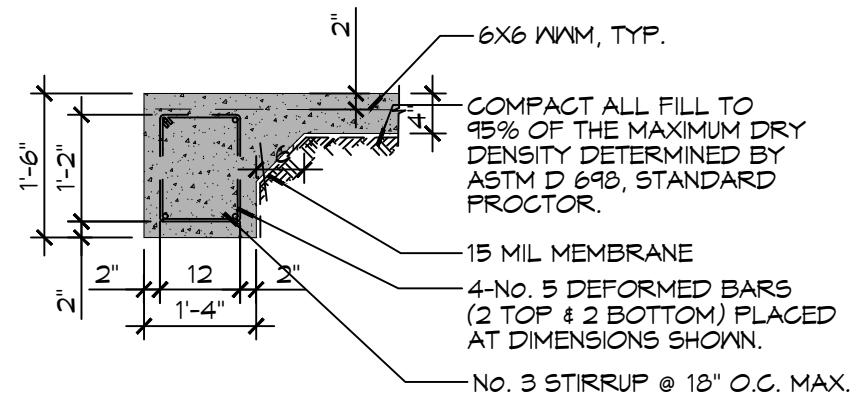


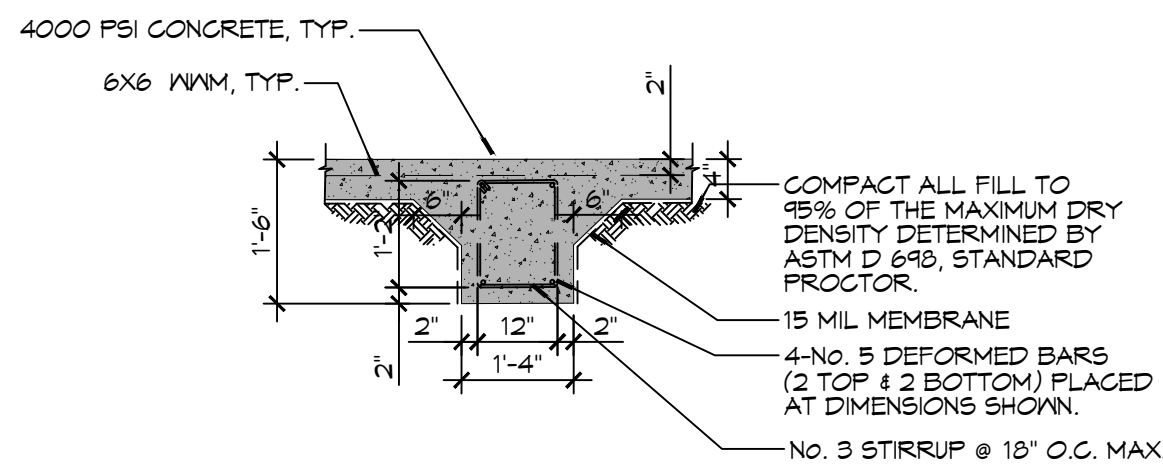
**REBAR SPLICE**

SCALE: 1/2" = 1'-0"



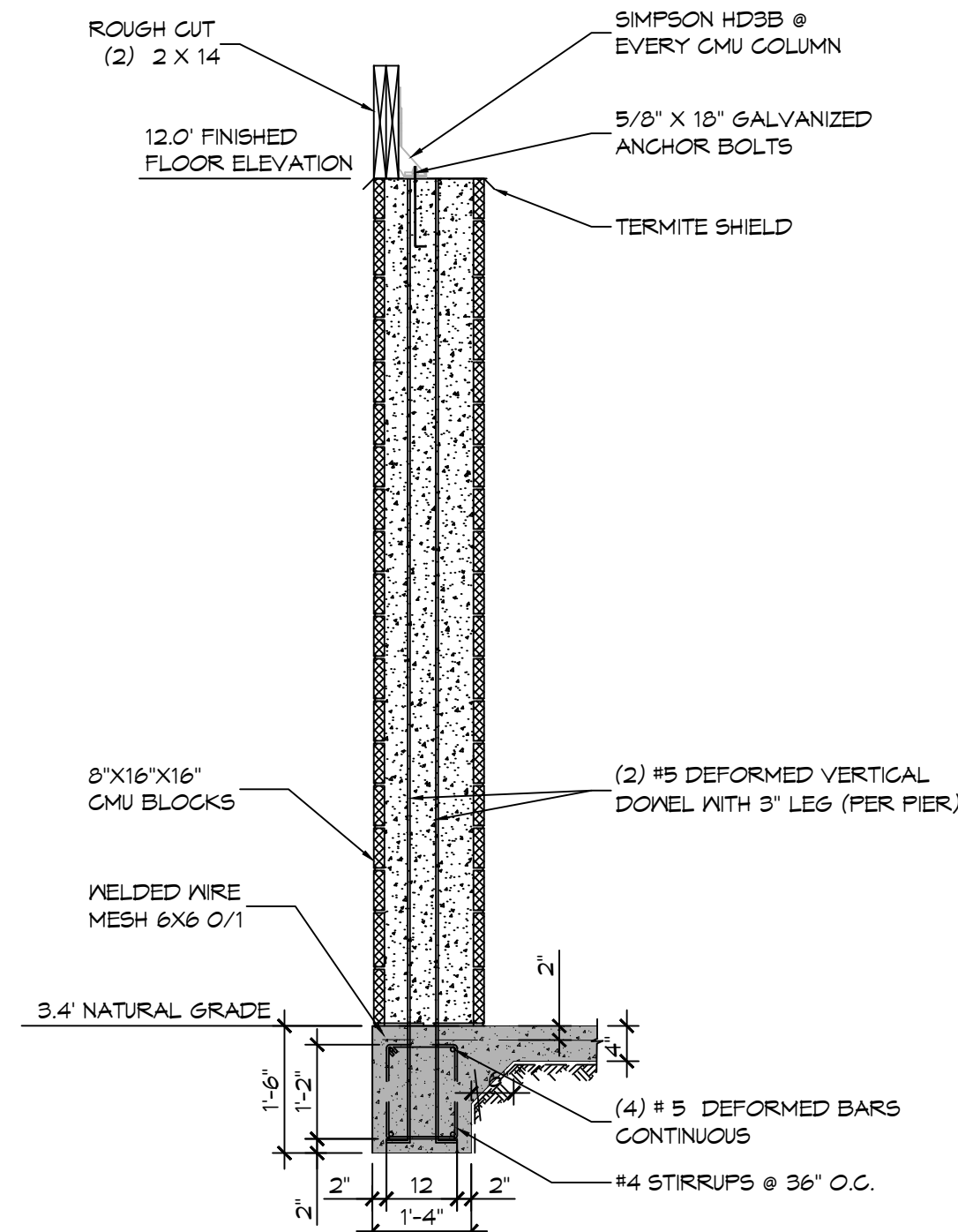
**A SECTION**

SCALE: 1/2" = 1'-0" EXTERIOR GRADE BEAM



**B SECTION**

SCALE: 1/2" = 1'-0" INTERIOR GRADE BEAM

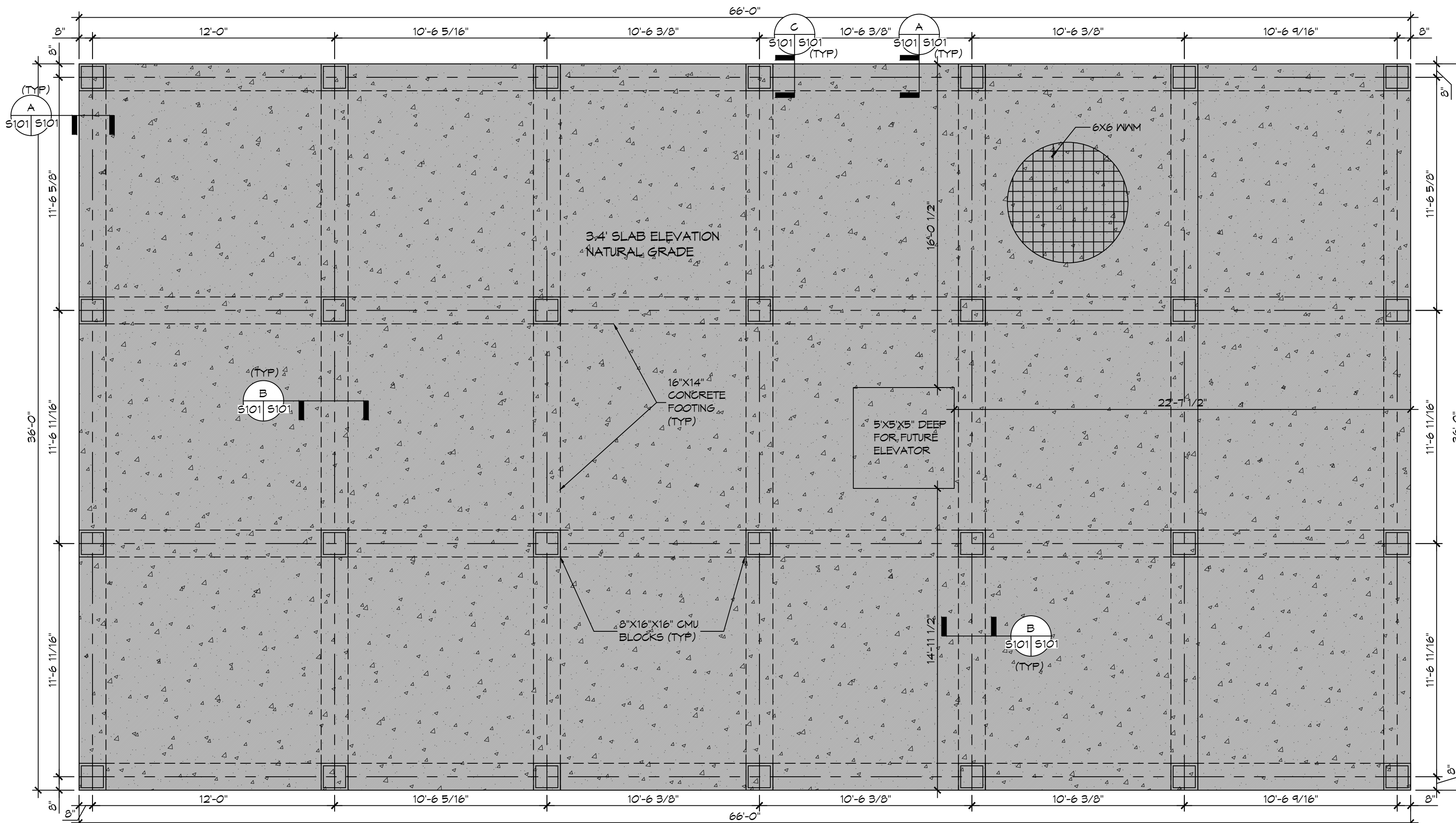


**C SECTION**

SCALE: 1/2" = 1'-0" EXTERIOR GRADE BEAM

**GENERAL FOUNDATION NOTES**

- ALL DIMENSIONS ARE EDGE OF CONCRETE (EOC) TO EDGE OF CONCRETE (EOC) UNLESS NOTED OTHERWISE.
- VERIFY ALL PLUMBING ROUGH-IN LOCATIONS AND DOUBLE UP ON FLOOR JOIST IN THOSE AREAS.
- CONCRETE MIX SHALL HAVE A MINIMUM COMPRESSIVE STRENGTH OF 4000 PSI AT 28 DAYS. CONCRETE MIX SHALL BE IN ACCORDANCE WITH ACI-318.
- ALL CONVENTIONAL REINFORCING STEEL SHALL MEET ASTM-A615 (GRADE 60).
- ONE LAYER OF POLYETHYLENE VAPOR BARRIER SHALL BE PLACED UNDER ALL CONCRETE. VAPOR RETARDER TO BE MINIMUM 10 MIL THICKNESS; ASTM E 1745 CLASS A, PERMEANCE LESS THAN 0.01 PERMS, EQUAL TO STEGO INDUSTRIES STEGO WRAP, ECOSHIELD-E 15 MIL BY EPRO, OR IRONBAR 15 BY FLATIRON FILMS. PROVIDE APPROPRIATE ACCESSORIES FOR A COMPLETE SYSTEM.
- ALL REINFORCING STEEL AND MESH SHALL BE SECURELY SUPPORTED TO PREVENT BOTH VERTICAL AND HORIZONTAL MOVEMENT DURING CONCRETE PLACEMENT.
- THE CONTRACTOR SHALL VERIFY ALL DROPS, OFFSETS, BRICK LEDGES, DIMENSIONS AND CONFIGURATIONS.
- GRADE BEAM DIMENSIONS MAY VARY BY -5%, +20%.
- FILL, AS A MINIMUM QUALITY, SHALL BE 40% CLAY AND 60% SANDY MIXTURE, PLACED IN 6" LIFTS AND COMPACTED TO A MINIMUM OF 95% STANDARD PROCTOR. FOOTINGS ARE DESIGNED TO USE SOIL WITH A BEARING PRESSURE OF 2000 LBS. PER SQUARE FOOT OR MORE. IT IS RECOMMENDED THAT THE OWNER VERIFY ALLOWABLE SOIL BEARING PRESSURE CAPACITY BY CONTRACTING THE SERVICES OF A SOILS ENGINEERING COMPANY.
- ALL SOIL BELOW SLAB SHALL RECEIVE TERMITE TREATMENT.



**FOUNDATION PLAN**

SCALE: 1/2" = 1'-0"

FOUNDATION PLAN

**DAMMON ENGINEERING, INC.**  
LOUISIANA & MISSISSIPPI

Chief Engineer: Brian Mistich, PE  
564 Old Spanish Trail  
Slidell, LA 70458  
www.dammonengineering.com  
info@dammoneng.com  
PH: 985.649.5832

REVISIONS	DATE



**BRETT CABRIRAC**

LOT 5 SQUARE 24  
ROBERT STREET  
SLIDELL, LA 70458

DATE: 07-24-2025  
DRAWN BY: BAY  
CHECKED BY: CAC

SHEET TITLE:  
**FOUNDATION PLAN**

DRAWING NUMBER:  
**S101**

SHEET No: 6 of 8