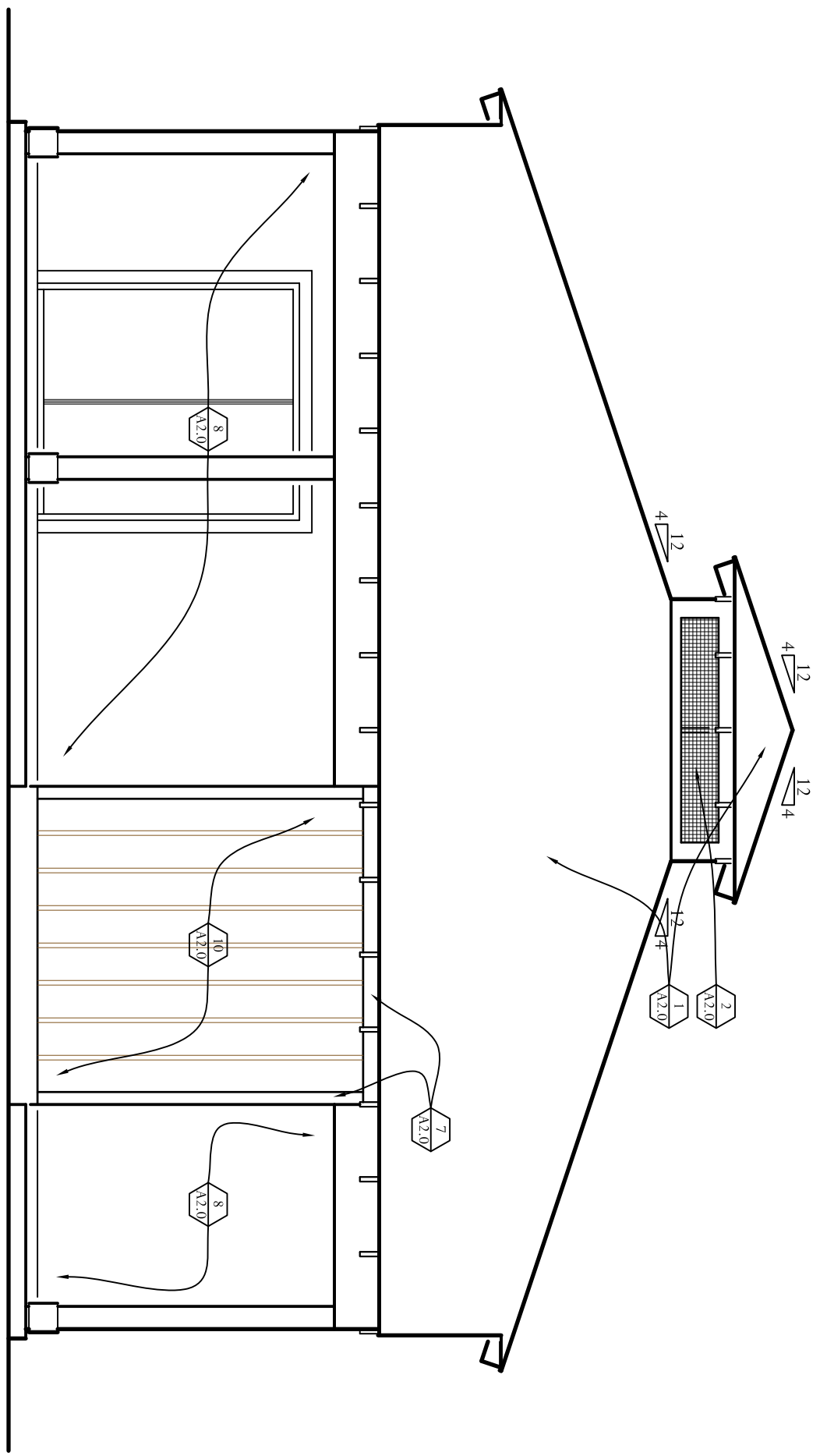
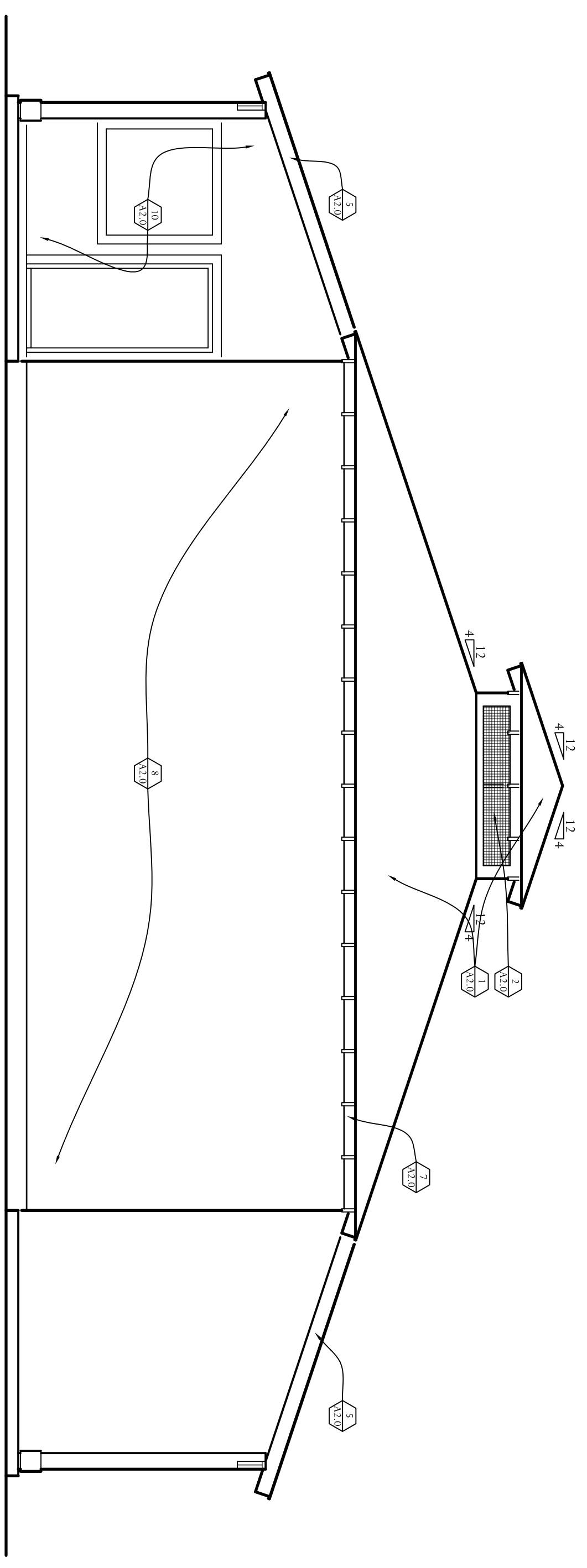
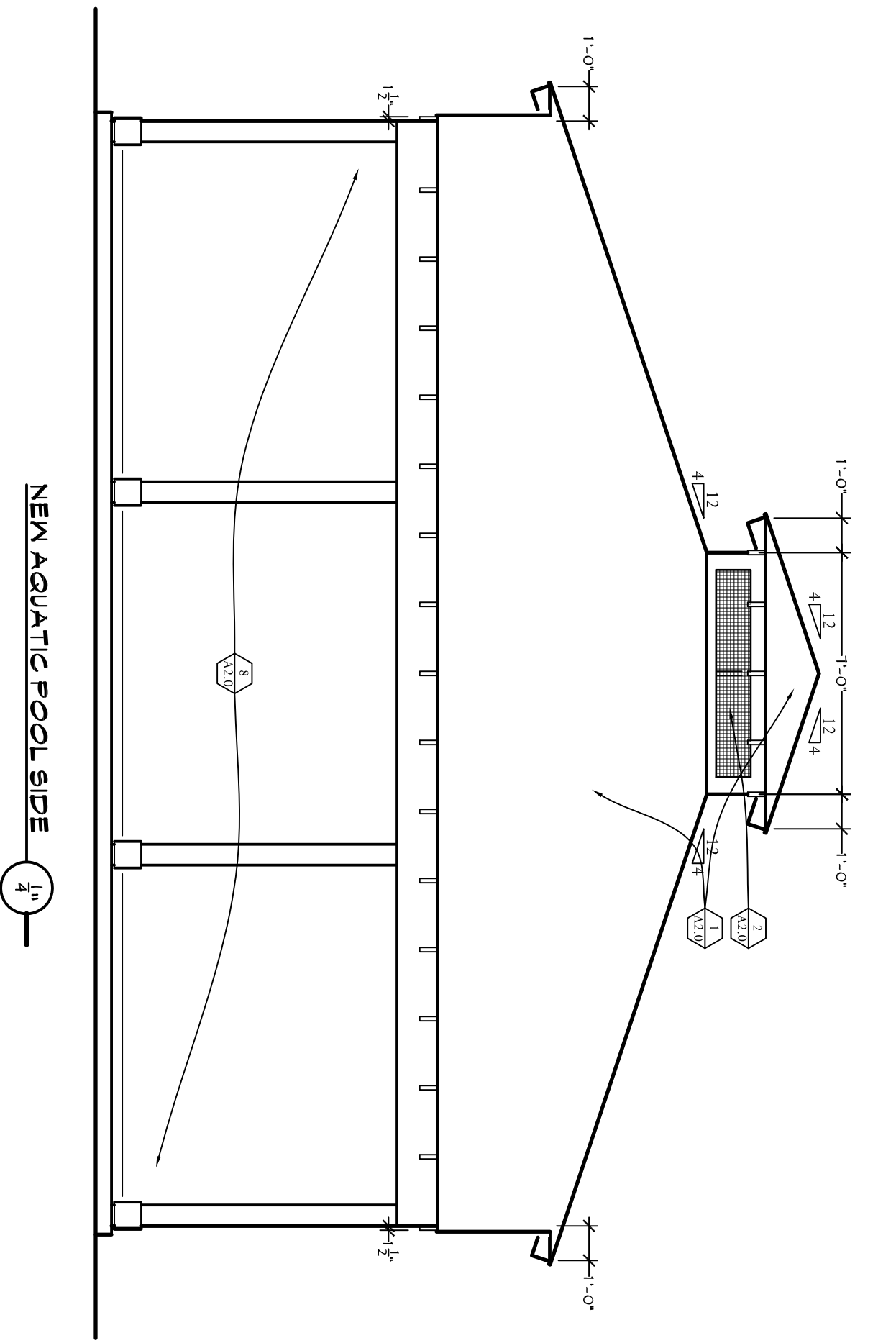
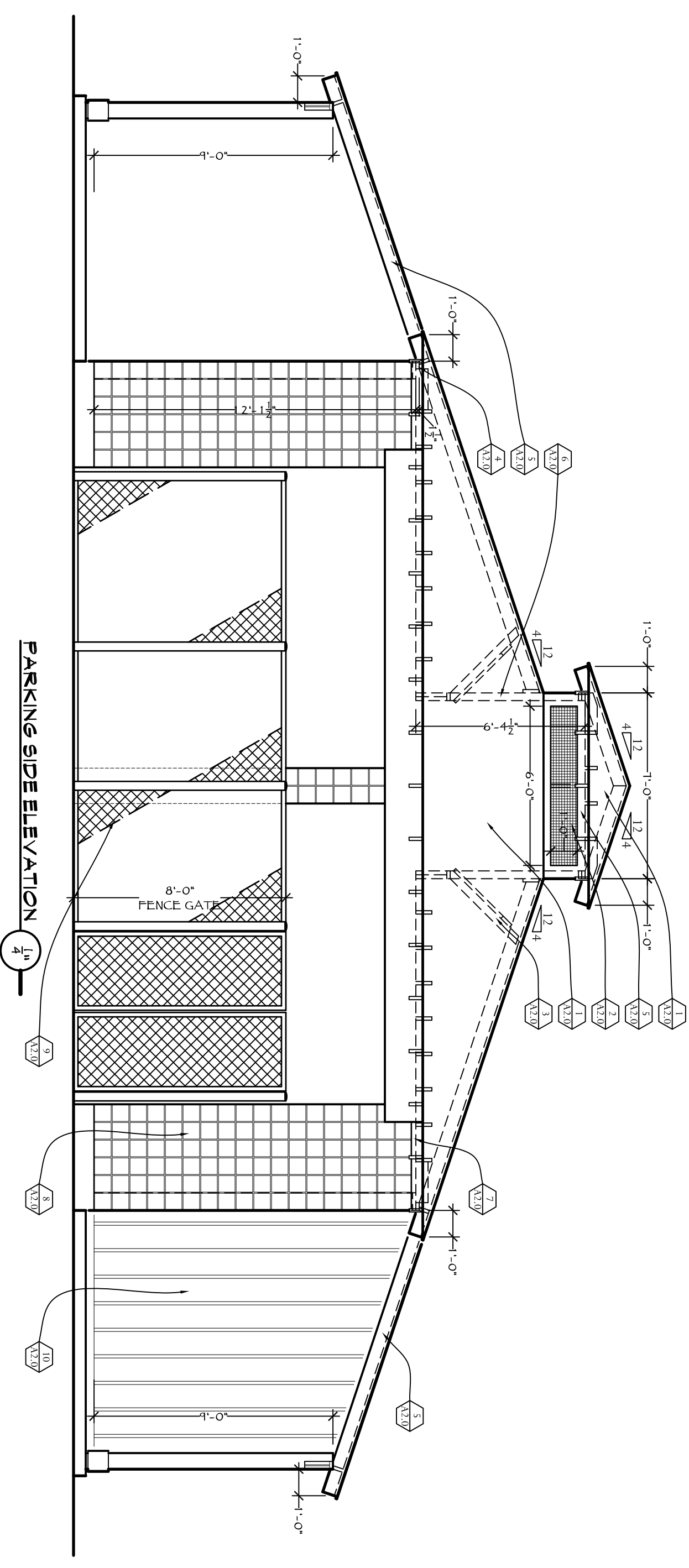


**ELEVATION NOTES**

NOTE
1. FINISH - SEE UNIFORMS SECTION FOR FINISHES TO BE USED FOR INTERIORS AND EXTERIORS.
2. FINISH FLOOR - SEE UNIFORMS SECTION FOR FINISHES TO BE USED FOR INTERIORS AND EXTERIORS.
3. FINISH CEILING - SEE UNIFORMS SECTION FOR FINISHES TO BE USED FOR INTERIORS AND EXTERIORS.
4. FINISH WALLS - SEE UNIFORMS SECTION FOR FINISHES TO BE USED FOR INTERIORS AND EXTERIORS.
5. FINISH ROOF - SEE UNIFORMS SECTION FOR FINISHES TO BE USED FOR INTERIORS AND EXTERIORS.
6. FINISH PORCH FLOOR - SEE UNIFORMS SECTION FOR FINISHES TO BE USED FOR INTERIORS AND EXTERIORS.
7. FINISH PATIO FLOOR - SEE UNIFORMS SECTION FOR FINISHES TO BE USED FOR INTERIORS AND EXTERIORS.
8. FINISH DRIVEWAY FLOOR - SEE UNIFORMS SECTION FOR FINISHES TO BE USED FOR INTERIORS AND EXTERIORS.
9. FINISH SIDEWALK FLOOR - SEE UNIFORMS SECTION FOR FINISHES TO BE USED FOR INTERIORS AND EXTERIORS.



**POOL SIDE ELEVATION** 1/4

**POOL SLUICE SIDE** 3/4

**MACALUSO**  
 home designs, inc.  
 www.macalusedesigns.com  
 204 Village Circle • Suite 2 • Sidel, Louisiana 70458  
 P: (985)641-7168  
 F: (985)641-1859

**CROSS GATES FAMILY FITNESS**  
 200 N Military Rd, Sidel, LA 70461

DATE: 10/13/2021	SHEET
SCALE: 1/8" = 1'-0"	A2.0
S-F L.A.:	
S-F L.R.: 1648	
SLAB:	