

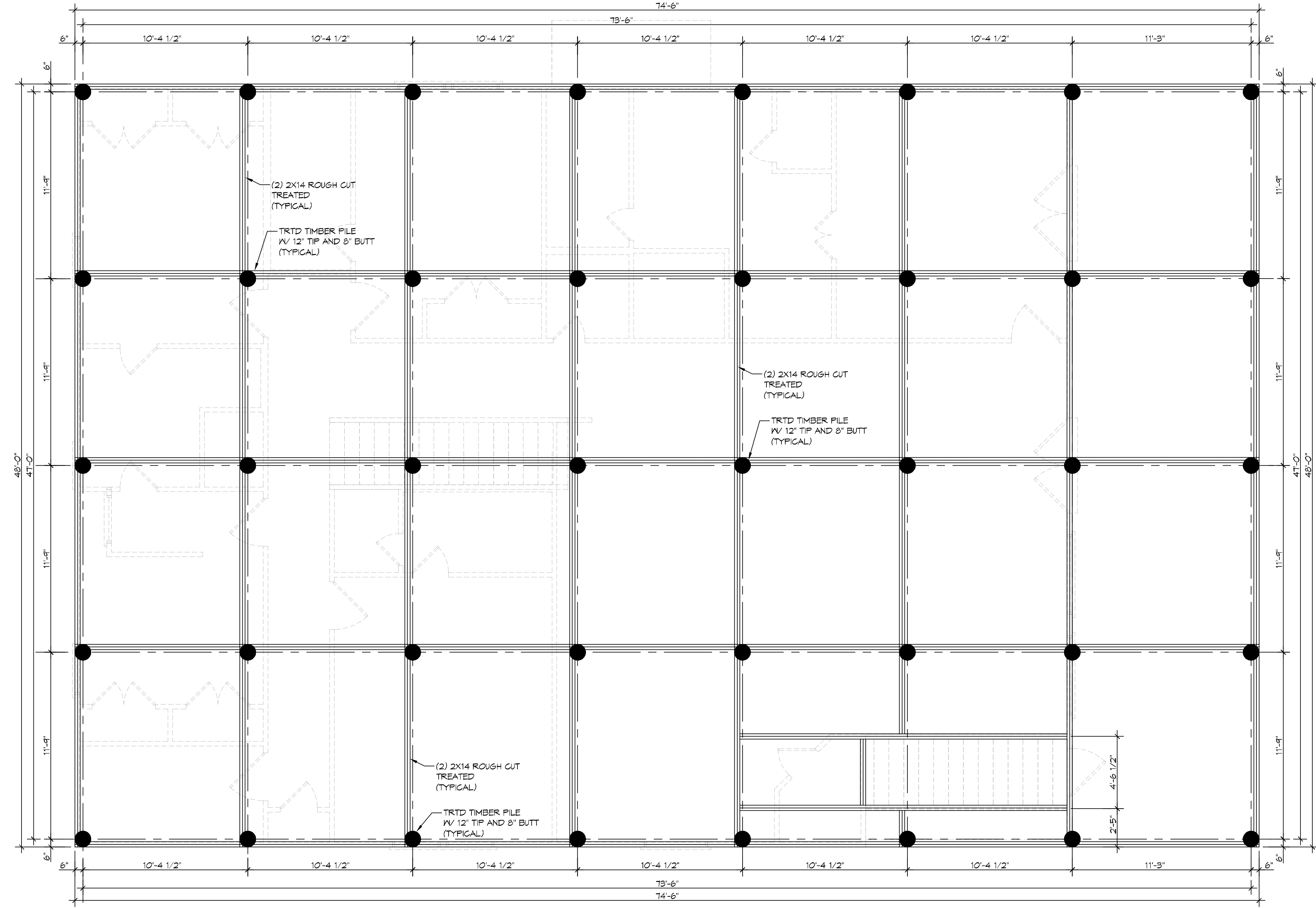
FILE NAME: S:\Projects\10-10-2021\10-10-2021\10-10-2021.dwg PLOT DATE: 05/10/2021 10:30:09 AM

PILING NOTES

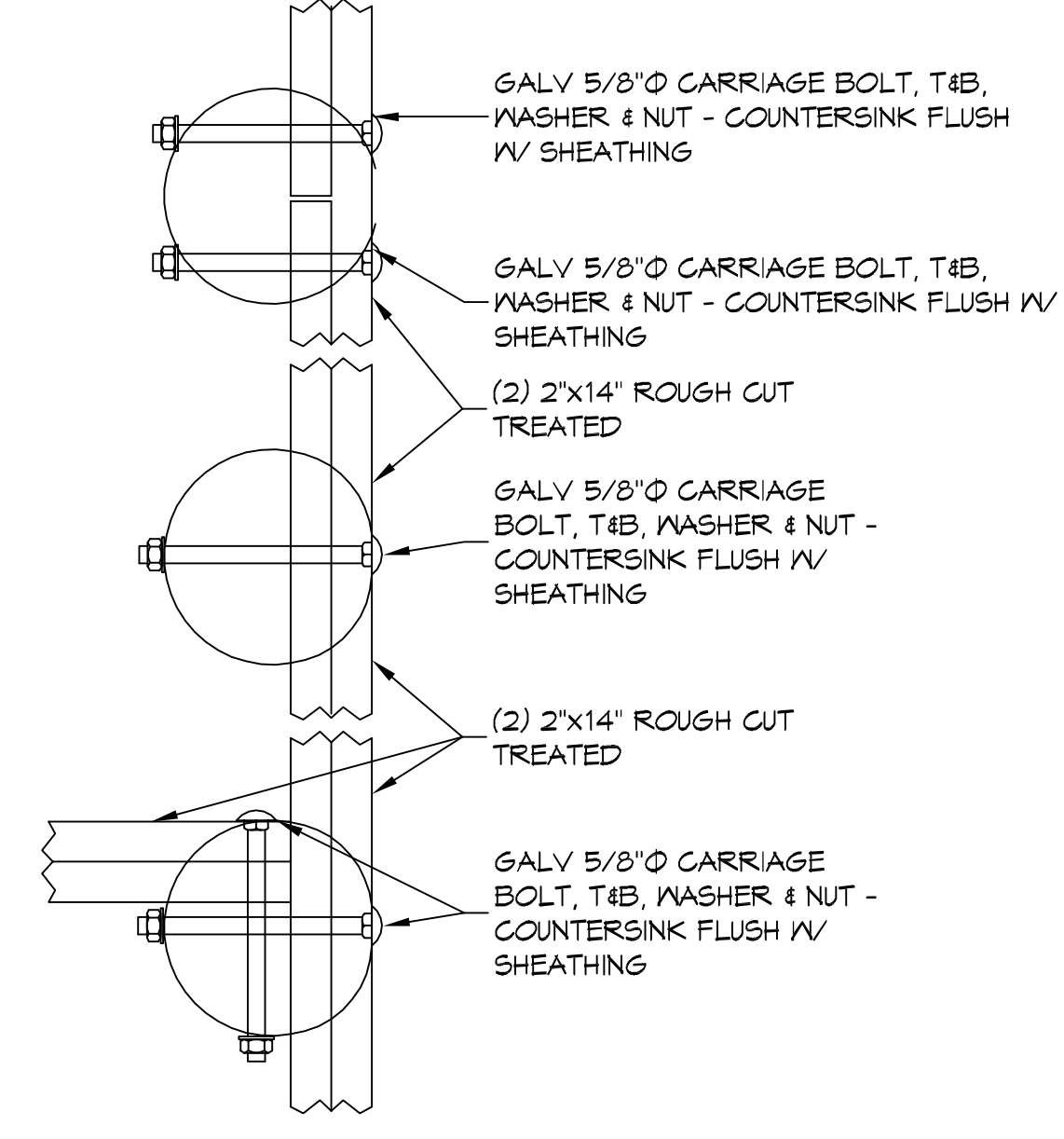
1. PILES ARE TO BE 45 FT. IN LENGTH WITH A 8 INCH TIP AND 12" BUTT. DRIVEN TO REFUSAL.
2. ALL PILES SHALL BE PRESSURE-TREATED ROUND TIMBER PILES CONFORMING TO ASTM D25.
2. DESIGN LOAD = 5 TONS PER PILE.
3. NO FIELD SUPERVISION OR INSPECTION PROVIDED UNDER THIS SEAL UNLESS OTHERWISE NOTED.
4. PILE LAYOUT MAY BE MODIFIED DUE TO ACTUAL DRIVING CONDITIONS. ENGINEER TO BE NOTIFIED ON ANY MODIFICATION.
6. A PILE BLOW COUNT LOG OF ALL PILES IS TO BE SUBMITTED TO THE ENGINEER OF RECORD. FAILURE TO SUBMIT SAID LOG WILL RELEASE THE ENGINEER OF ALL RESPONSIBILITY.
7. CONTRACTOR IS RESPONSIBLE FOR THE COMPARISON & VERIFICATION OF PILE LAYOUT DIMENSIONS WITH MOST RECENT ARCHITECTURAL DRAWINGS, ASSURING THAT PILES DO FALL WITHIN LIMITS OF THE DESIGN.
8. USE DROP HAMMER OR SINGLE ACTING AIR HAMMER DELIVERING 1,500 FT.-LBS OF ENERGY PER BLOW. RAM HEIGHT OF DROP HAMMER SHALL NOT EXCEED 2,500 TO 3,000 LBS AND THE DROP SHOULD NOT EXCEED 3 FT. AT MINIMUM OF 25 BLOWS PER FOOT. IF THE DROP EXCEEDS 3 FT., CONTACT ENGINEER FOR INSTRUCTIONS.
9. BRACE ALL PILING AS NEEDED FOR SHAKING.

DAMMON
ENGINEERING, INC.
LOUISIANA & MISSISSIPPI

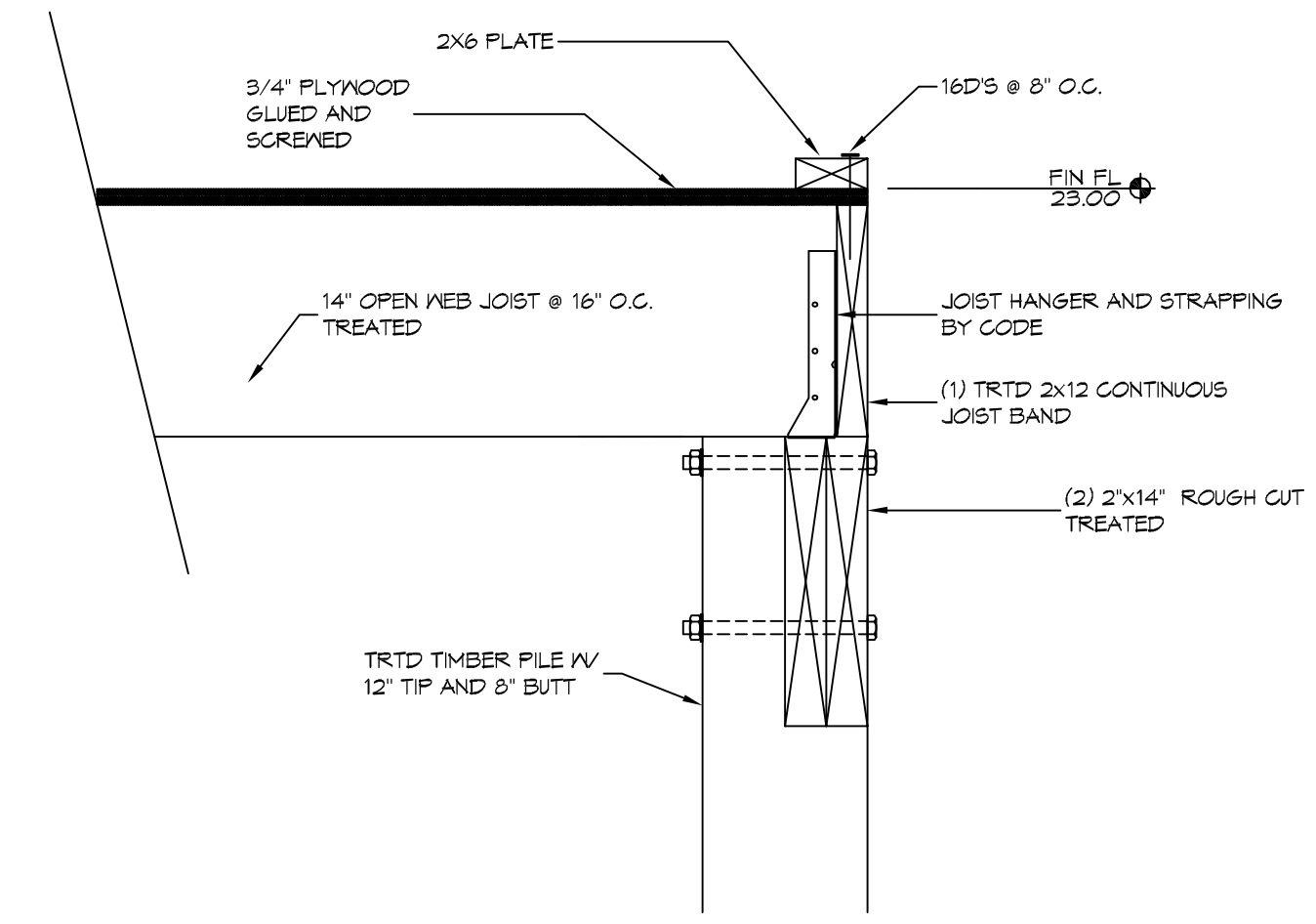
Chief Engineer: Brian Mitchell, PE
554 Old Spanish Trail
Slidell, LA 70698
www.dammonengineering.com
info@dammonengineering.com
PH: 985.649.5532



1 PILING PLAN
SCALE: 1/4" = 1'-0"



DETAIL
SCALE: 1-1/2" = 1'-0" PERIMETER BAND



DETAIL
SCALE: 1-1/2" = 1'-0" PERIMETER JOIST BAND

#	DESCRIPTION	REVISIONS	DATE

SEAL:

ERIK MOLLERBERG
STRUCTURAL DWS

LOT 28 FT. BEAUREGARD BLVD
ST. BERNARD PARISH, LOUISIANA

JOB NO: 2021 DATE: 05-10-2021
DRAWN BY: CKD CHECKED BY: BAK

SHEET TITLE:
PILING PLAN

DRAWING NUMBER:

S101