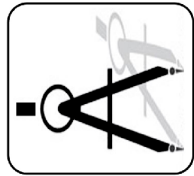


1  
S101 S101

**PLAN VIEW**

SCALE: 3/32" = 1'-0"



**DAMMON**  
ENGINEERING, INC.

554 Old Spanish Trail Slidell, LA 70458 (985) 649-5832

CHIEF ENGINEER: BRIAN A. MISTICH, P.E.  
554 OLD SPANISH TRAIL  
SLIDELL, LA 70458

dammonengineering.com  
info@dammonengineering.com  
PHONE: 985-649-5832

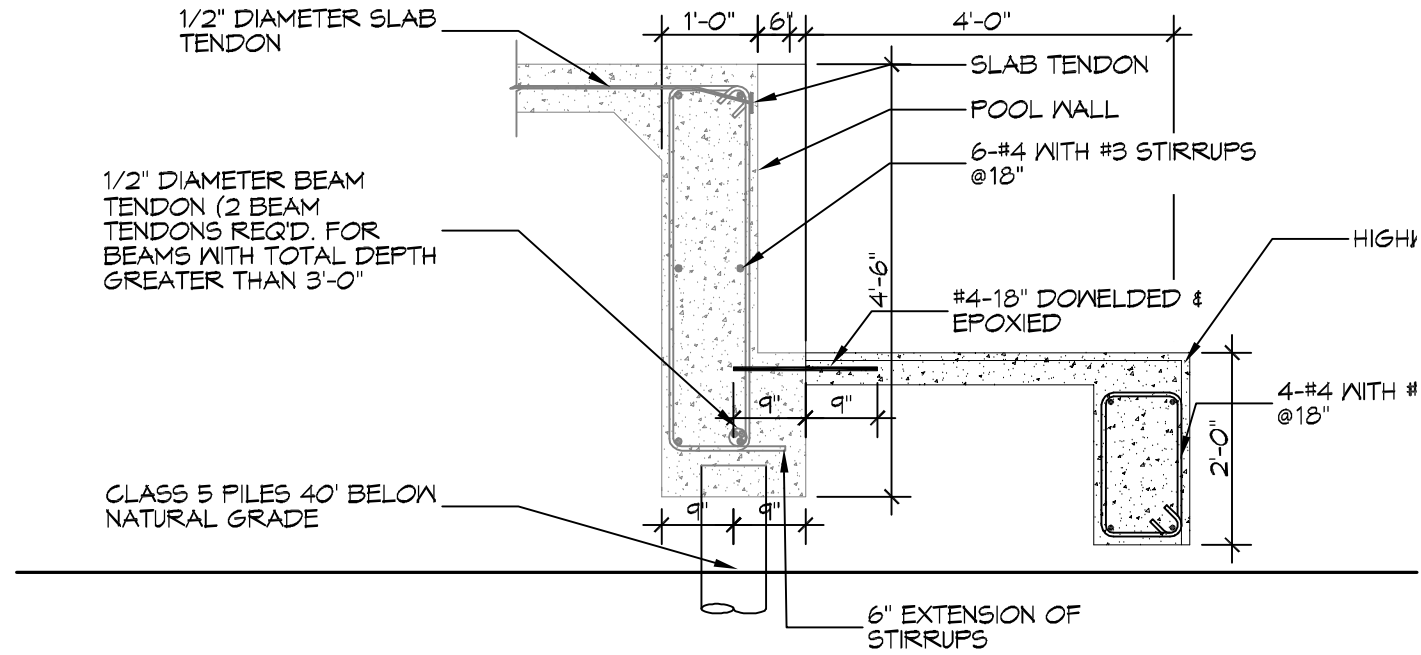
NEW ADDITION FOUNDATION

**GARY MARTINEZ**  
LOT 144, CLIPPER ESTATES  
SLIDELL, LA

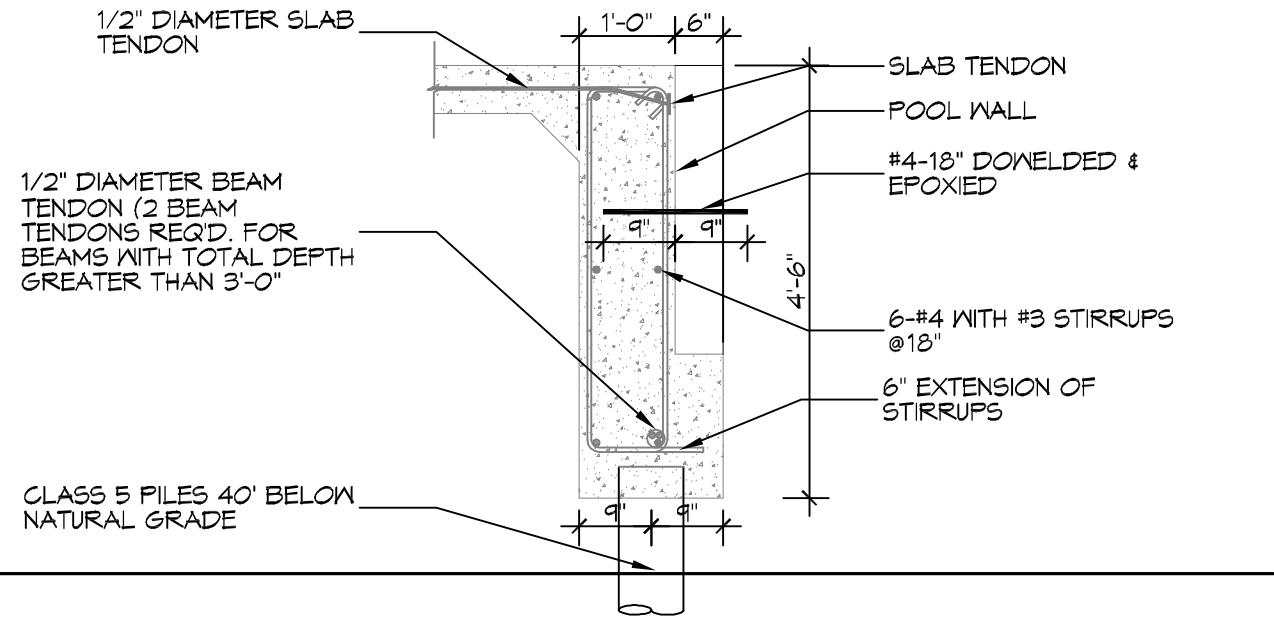
JOB #: 2019 DATE: 06/12/2019

DRAWN BY: CKD/JAW CHECKED BY: BAM

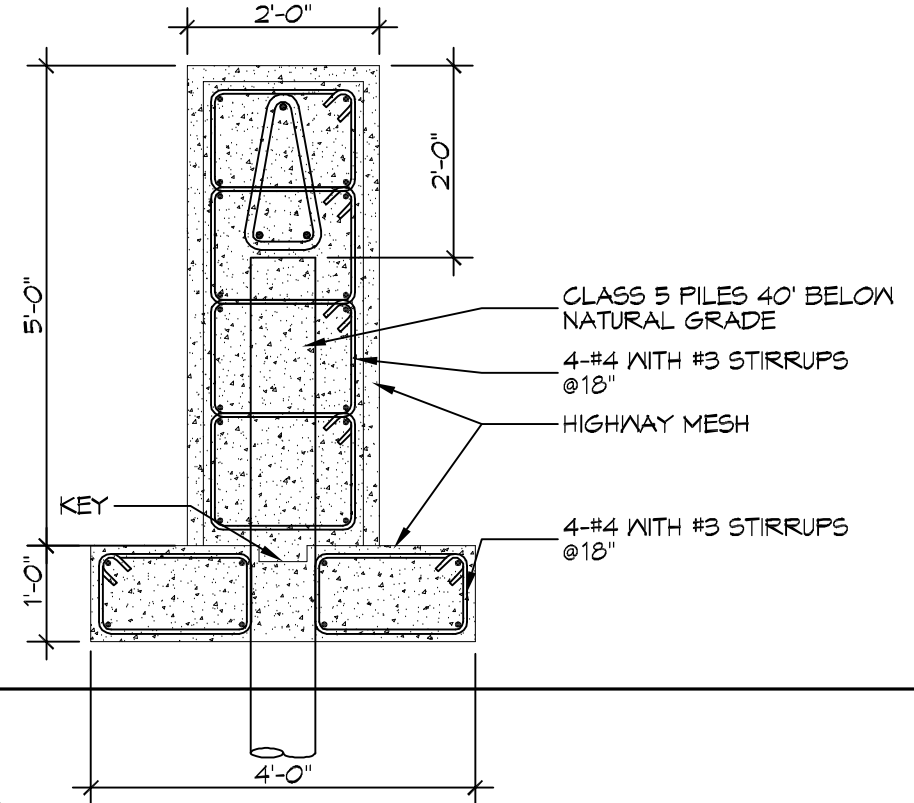
S101



**C SECTION**  
 S101|S102 SCALE: 1/2" = 1'-0"



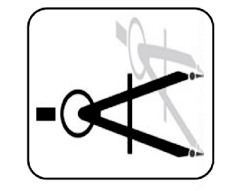
**B SECTION**  
 S101|S102 SCALE: 1/2" = 1'-0"



**A SECTION**  
 S101|S102 SCALE: 1/2" = 1'-0"



**DAMMON**  
 ENGINEERING, INC.



554 Old Spanish Trail, Slidell, LA 70458 (985) 649-5832  
 info@dammonengineering.com  
 dammonengineering.com  
 PHONE: 985-649-5832  
 CHIEF ENGINEER: BRIAN A. MISTICH, P.E.  
 554 OLD SPANISH TRAIL  
 SLIDELL, LA 70458

NEW ADDITION FOUNDATION <b>GARY MARTINEZ</b> LOT 144, CLIPPER ESTATES SLIDELL, LA	DATE: 06/12/2019	CHECKED BY: BAM
	JOB #: 2019	DRAWN BY: CKD/JAW

**S102**