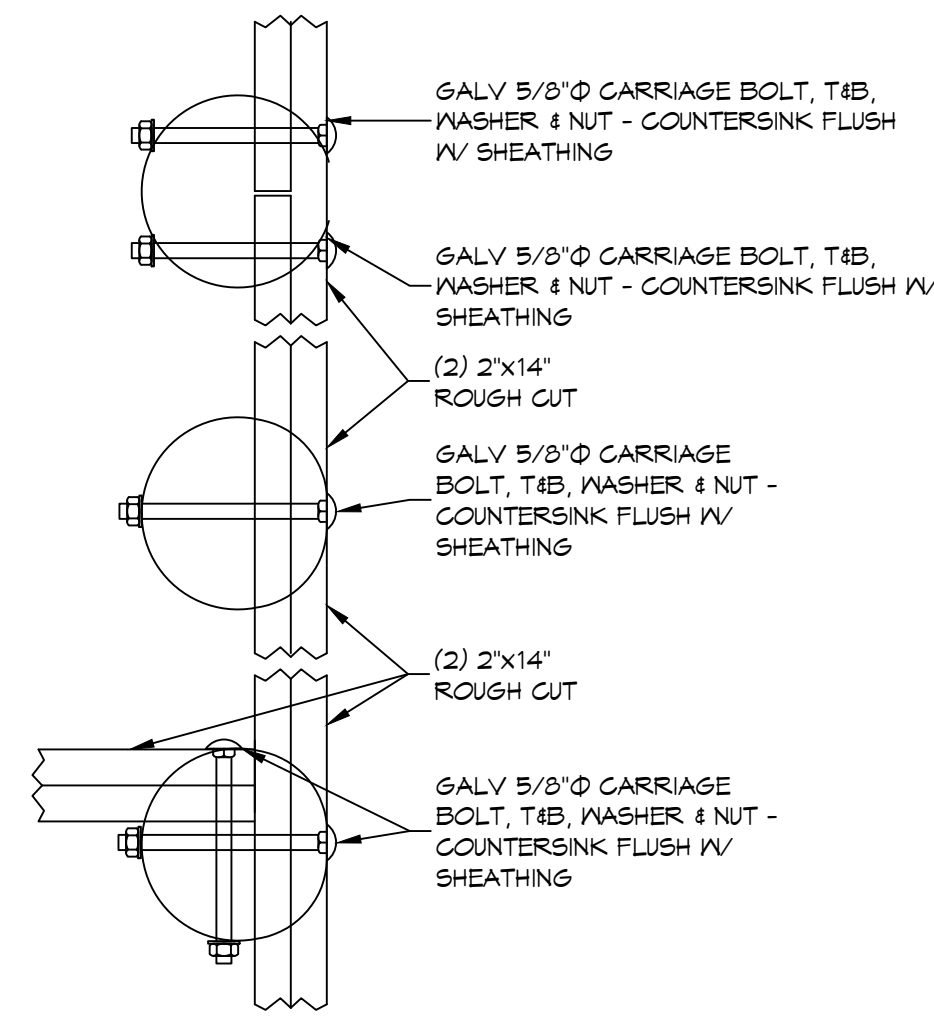
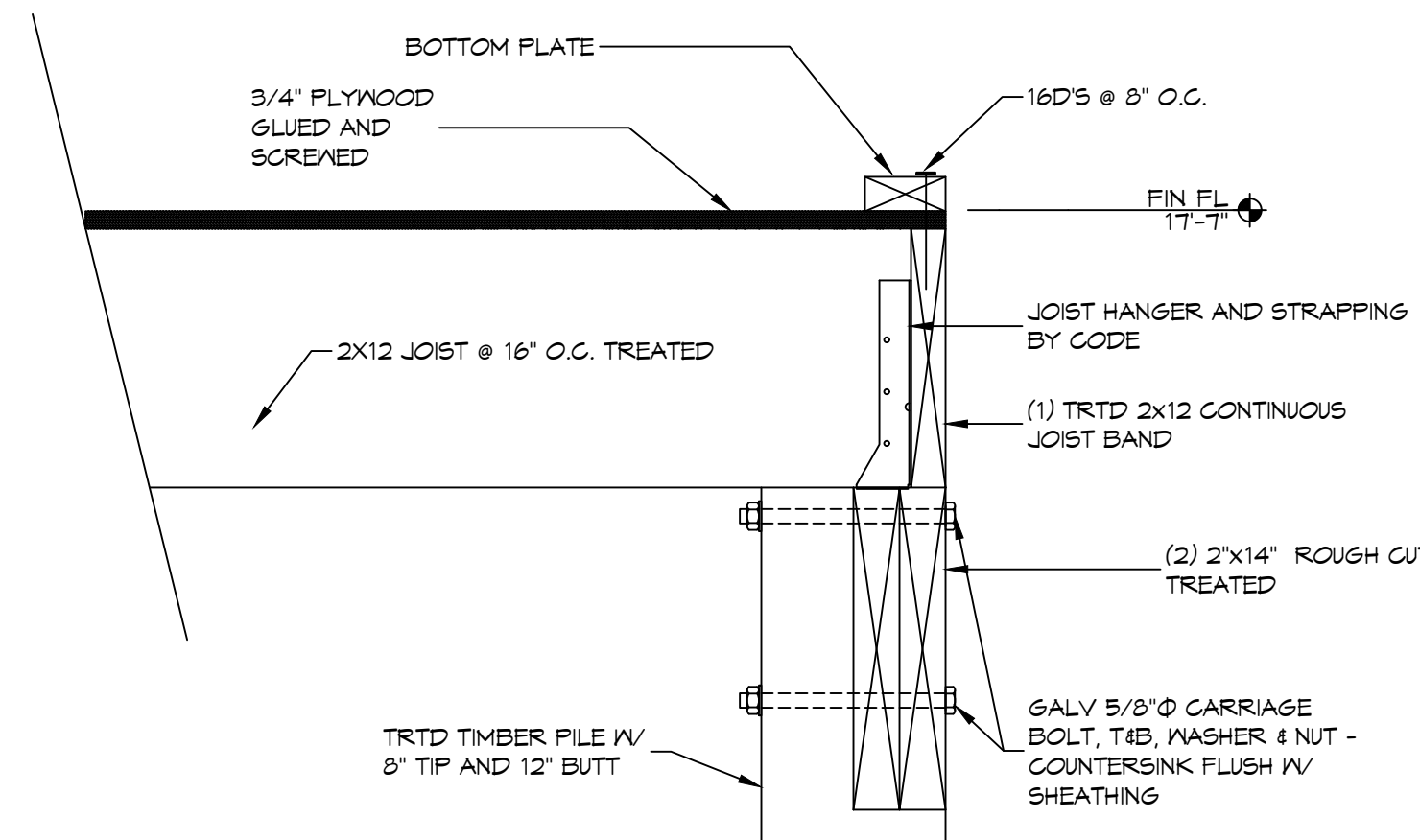


PLS. NAME, A/E, Foundation or Structural Only/Name, Address, ZIP, Date, Civil/Structural/Design/0101 - Draw, Project No., RCD, 001, & DATE, Number, Job No., 2023, 410124



DETAIL
SCALE: 1-1/2" = 1'-0" PERIMETER JOIST BAND PLAN VIEW



DETAIL
SCALE: 1-1/2" = 1'-0" PERIMETER JOIST BAND SECTION

PILING NOTES

1. PILES ARE TO BE TREATED, PILES ARE TO BE 30 FT. IN LENGTH WITH A 8 INCH TIP AND 12" BUTT.
2. DESIGN LOAD = 5 TONS PER PILE OR TO REFUSAL.
3. NO FIELD SUPERVISION OR INSPECTION PROVIDED UNDER THIS SEAL UNLESS OTHERWISE NOTED.
4. FILE LAYOUT MAY BE MODIFIED DUE TO ACTUAL DRIVING CONDITIONS. ENGINEER TO BE NOTIFIED ON ANY MODIFICATION.
5. THIS PILE SUPPORTED FOUNDATION IS DESIGNED TO MEET THE GENERAL SOIL CONDITIONS OF THE AREA OF WORK. THE CONTRACTOR OR OWNER IS ADVISED THAT A SOIL ANALYSIS SHOULD BE MADE TO CONFIRM THE DESIGN.
6. A PILE BLOW COUNT LOG OF ALL PILES IS TO BE SUBMITTED TO THE ENGINEER OF RECORD. FAILURE TO SUBMIT SAID LOG WILL RELEASE THE ENGINEER OF ALL RESPONSIBILITY.
7. CONTRACTOR IS RESPONSIBLE FOR THE COMPARISON & VERIFICATION OF PILE LAYOUT DIMENSIONS WITH MOST RECENT ARCHITECTURAL DRAWINGS, ASSURING THAT PILES DO FALL WITHIN LIMITS OF THE DESIGN.
8. ALL SOIL BELOW HOME SHALL RECEIVE TERMITE TREATMENT.

GENERAL NOTES

1. ALL LUMBER SHALL BE PRESSURE TREATED WITH A RETENTION OF .4 PER C.F.
2. ALL FASTENERS SHALL BE HOT DIPPED GALVANIZED (HDG) PER ASTM A153.
3. ALL CONNECTORS SHALL BE HDG PER ASTM A653, CLASS G105 SHEET WITH 1.05 OZ/SF ZINC COATING.

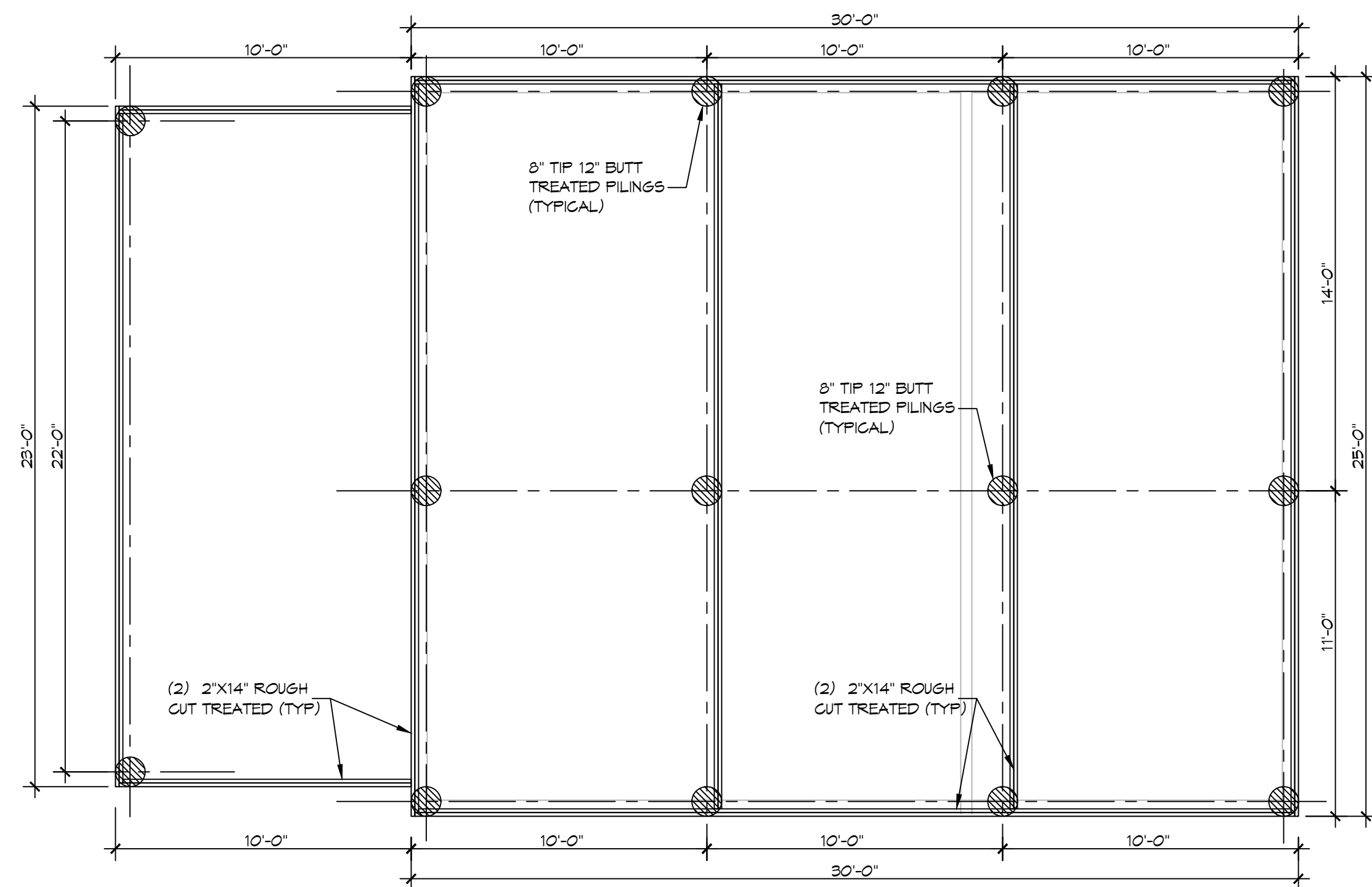
DESIGN CRITERIA

THE CONSTRUCTION FOR SAID RESIDENCE, WHERE BASIC WIND SPEED IS 130 MILES PER HOUR, WIND EXPOSURE ZONE C, IS DESIGNED IN ACCORDANCE WITH: AMERICAN FOREST AND PAPER ASSOCIATION (AF&PA) WOOD FRAME CONSTRUCTION MANUAL FOR ONE AND TWO FAMILY DWELLINGS (WFCM) 2001 EDITION AS WELL AS THE INTERNATIONAL RESIDENTIAL CODE (IRC) 2021 EDITION

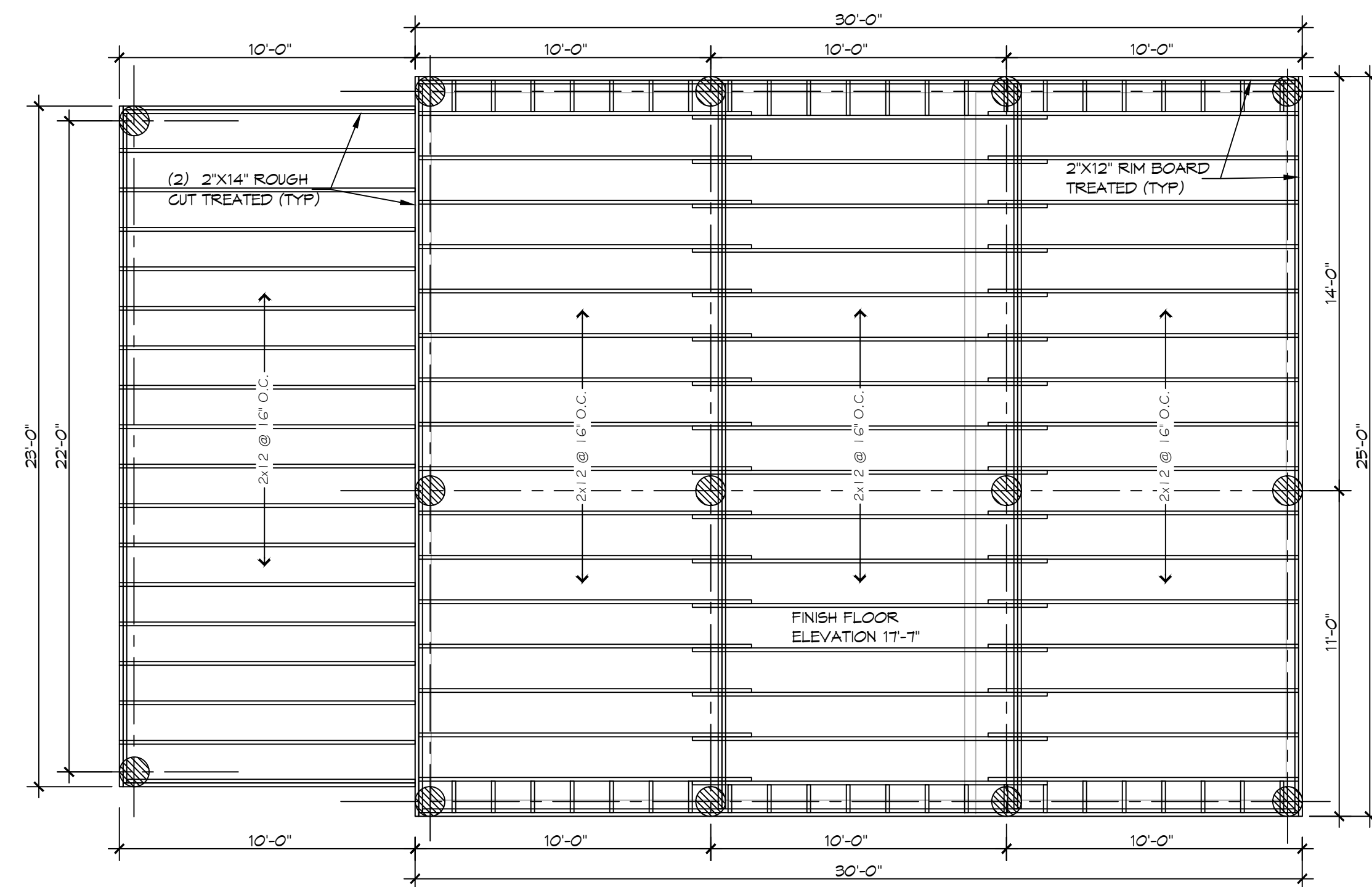
DAMMON ENGINEERING, INC.
 LOUISIANA & MISSISSIPPI
 Chief Engineer: Brian Hirsch, PE
 554 Old Spanish Trail
 Slidell, LA 70458
 www.dammonengineering.com
 info@dammonengineering.com
 PH: 985.649.8832

#	DESCRIPTION	DATE

SEAL:



1 PILING AND BANDING PLAN
SCALE: 1/4" = 1'-0"



2 FLOOR JOIST PLAN
SCALE: 1/4" = 1'-0"

STRUCTURAL DWGS
 JAMIE MAGUIRE

50841 CASA GALVO
 SLIDELL, LA 70458
 JOB No.: 2023
 DATE: 06-14-2023
 DRAWN BY: CKD
 CHECKED BY: CKD

SHEET TITLE:
 PILING & FLOOR JOIST PLAN

DRAWING NUMBER:

S101