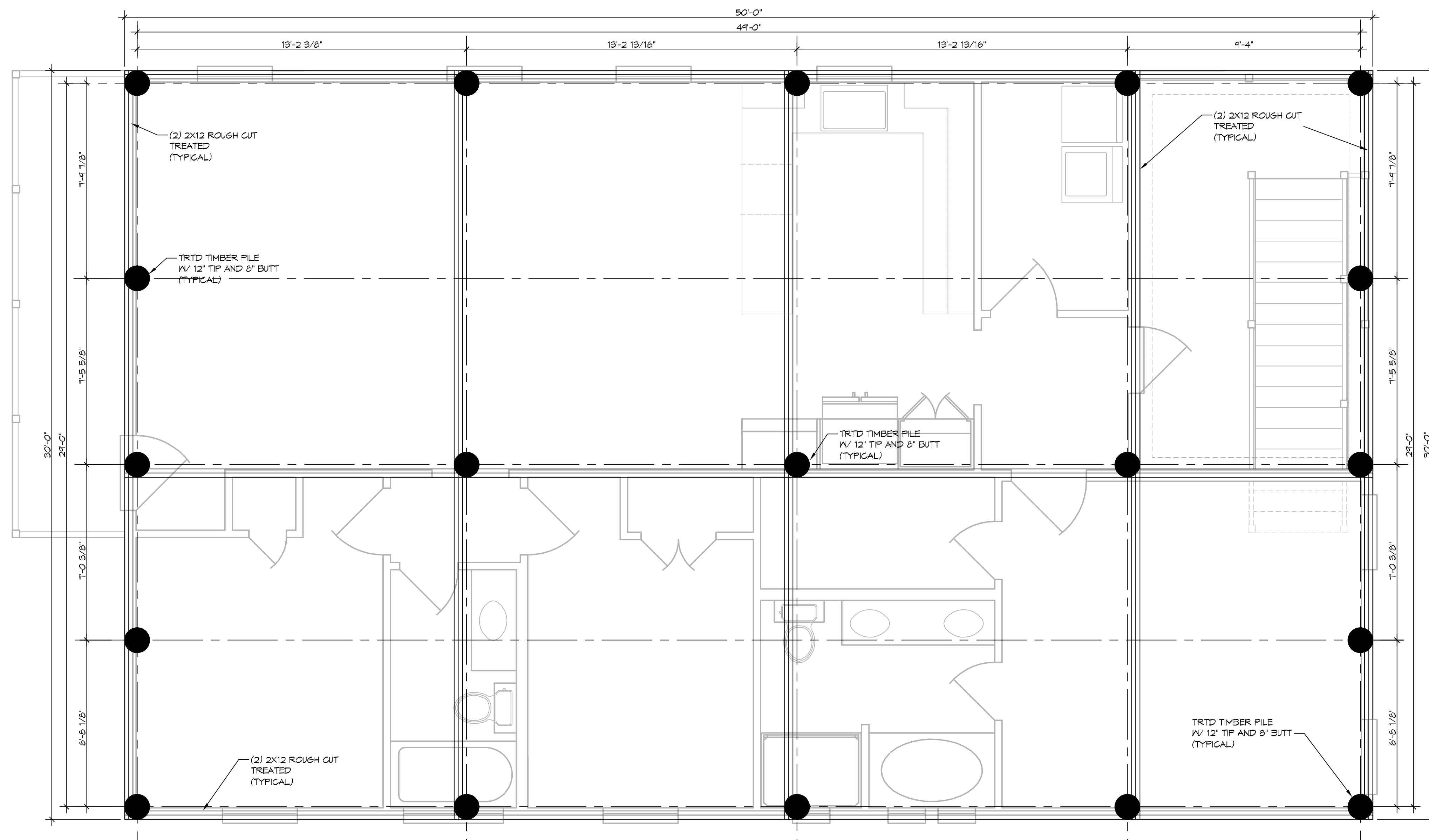


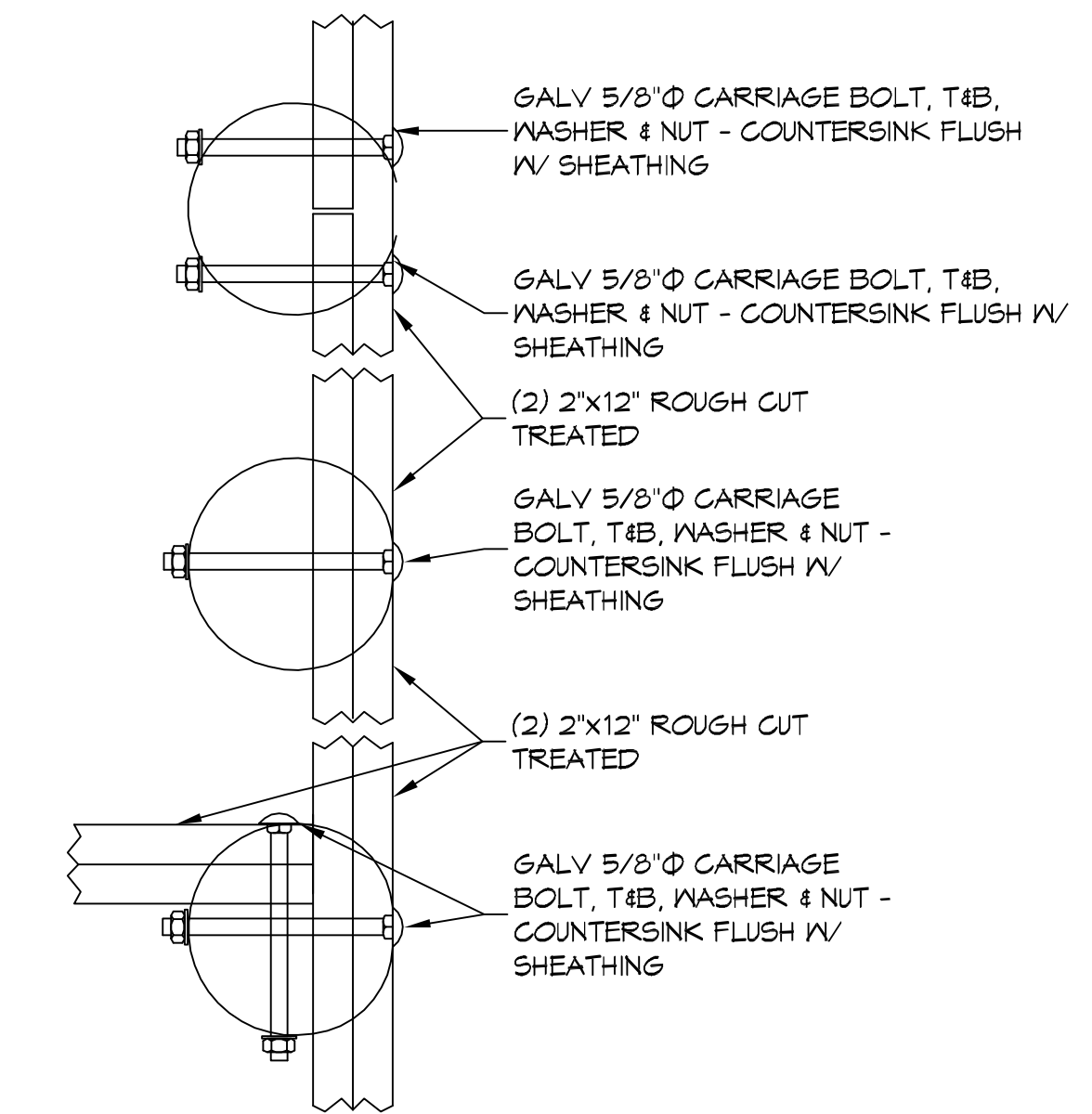
FILE NAME: C:\Users\gms\OneDrive\Documents\Structural\2024\04\01\144\_Terrace\040124\_Piling.dwg DATE: 04/15/2024 9:52 AM



**1 PILING PLAN**  
SCALE: 3/8" = 1'-0"

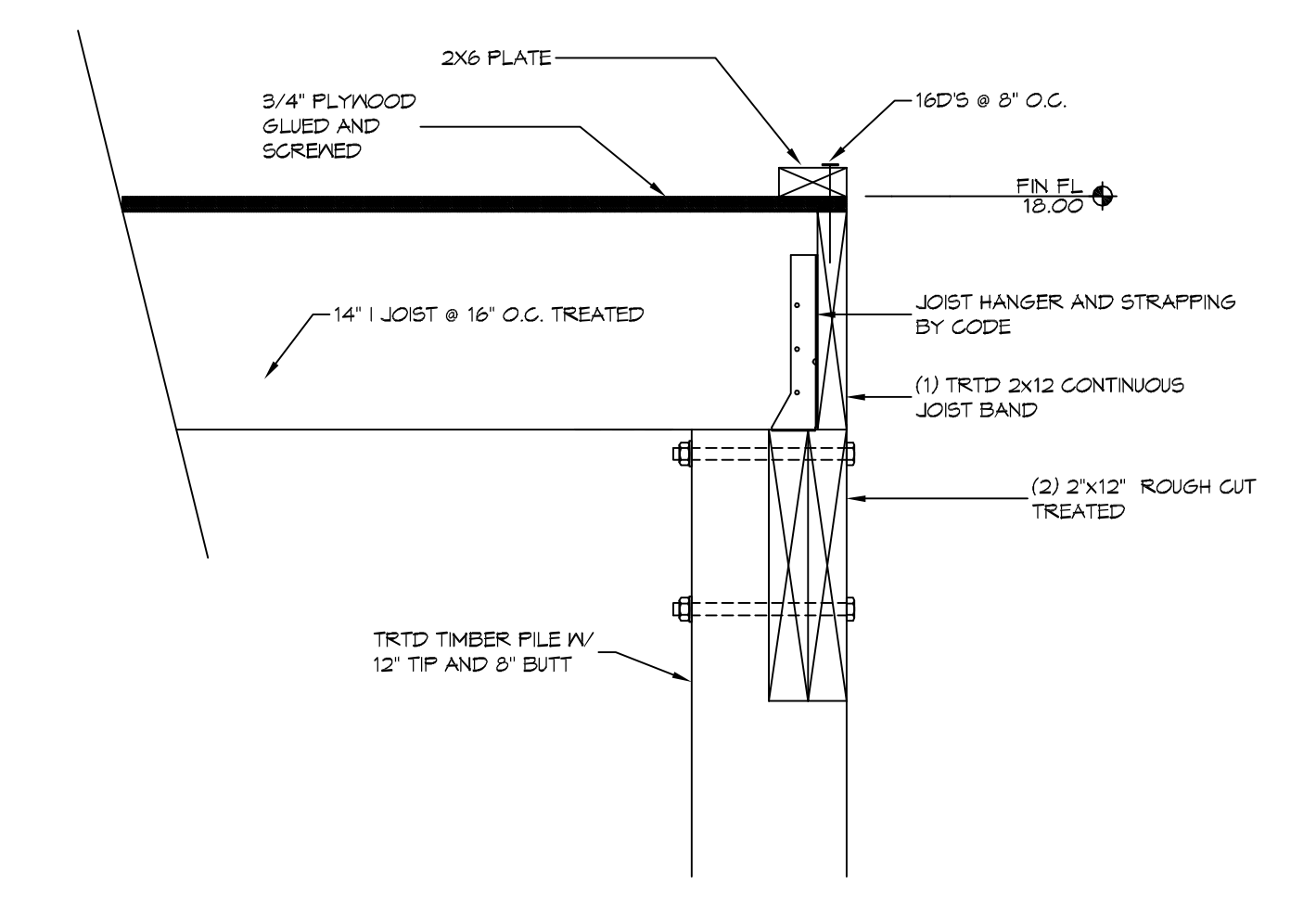
**PILING NOTES**

1. PILES ARE TO BE CLASS B MODIFIED AND ALL PILES ARE TO BE 40 FT. IN LENGTH WITH A 8 INCH TIP AND 12" BUTT, DRIVEN TO REFUSAL.
2. ALL PILES SHALL BE PRESSURE-TREATED ROUND TIMBER PILES CONFORMING TO ASTM D25.
3. DESIGN LOAD = 5 TONS PER PILE.
4. NO FIELD SUPERVISION OR INSPECTION PROVIDED UNDER THIS SEAL UNLESS OTHERWISE NOTED.
5. PILE LAYOUT MAY BE MODIFIED DUE TO ACTUAL DRIVING CONDITIONS. ENGINEER TO BE NOTIFIED ON ANY MODIFICATION.
6. A PILE BLOW COUNT LOG OF ALL PILES IS TO BE SUBMITTED TO THE ENGINEER OF RECORD. FAILURE TO SUBMIT SAID LOG WILL RELEASE THE ENGINEER OF ALL RESPONSIBILITY.
7. CONTRACTOR IS RESPONSIBLE FOR THE COMPARISON & VERIFICATION OF PILE LAYOUT DIMENSIONS WITH MOST RECENT ARCHITECTURAL DRAWINGS, ASSURING THAT PILES DO FALL WITHIN LIMITS OF THE DESIGN.
8. USE DROP HAMMER OR SINGLE ACTING AIR HAMMER DELIVERING 1,500 FT.-LBS OF ENERGY PER BLOW. RAM WEIGHT OF DROP HAMMER SHALL NOT EXCEED 2,500 TO 3,000 LBS AND THE DROP SHOULD NOT EXCEED 3 FT. AT MINIMUM OF 25 BLOWS PER FOOT. IF THE DROP EXCEEDS 3 FT., CONTACT ENGINEER FOR INSTRUCTIONS.
9. BRACE ALL PILING AS NEEDED FOR SWAYING.



**DETAIL**

SCALE: 1-1/2" = 1'-0" PERIMETER BAND



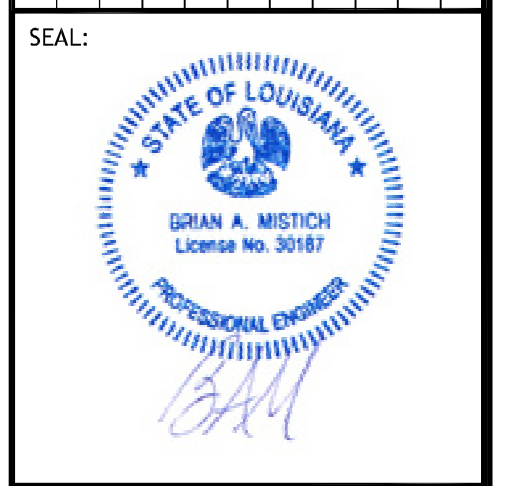
**DETAIL**

SCALE: 1-1/2" = 1'-0" PERIMETER JOIST BAND

**DAMMON ENGINEERING, INC.**  
LOUISIANA & MISSISSIPPI

Chief Engineer: Brian Mistich, PE  
554 Old Spanish Trail  
Slidell, LA 70458  
www.dammonengineering.com  
info@dammonengineering.com  
PH: 985.449.9532

#	DESCRIPTION	REVISIONS	DATE



**STRUCTURAL PAGES**

**JASON GAUBERT**

144 TERRY DRIVE  
SLIDELL, LA 70458

JOB No: 2021 DATE: 04-15-2021  
DRAWN BY: CCK CHECKED BY: BAY

SHEET TITLE:  
PILING PLAN

DRAWING NUMBER:  
**S101**

SHEET No: 1 of 2

