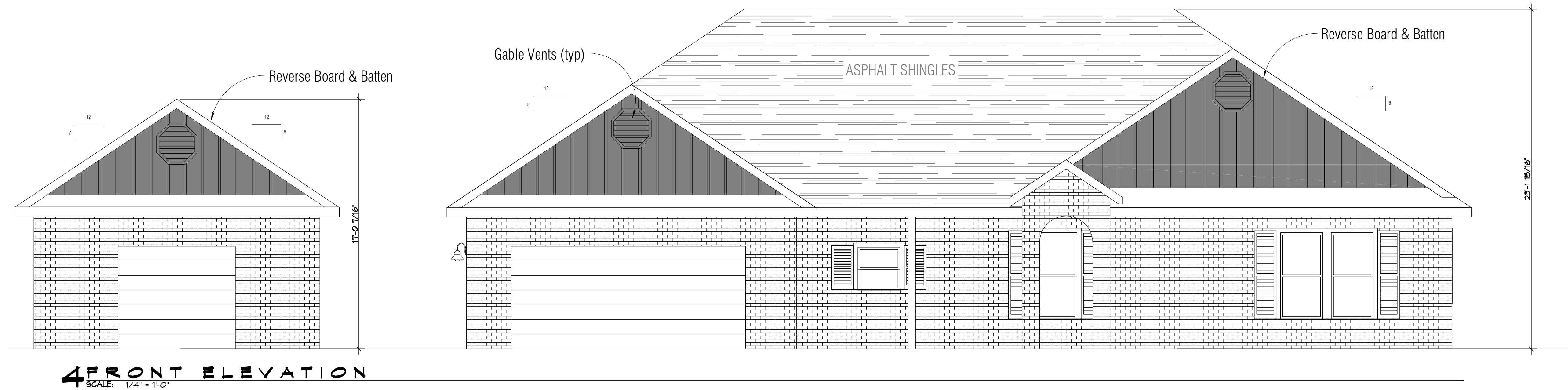
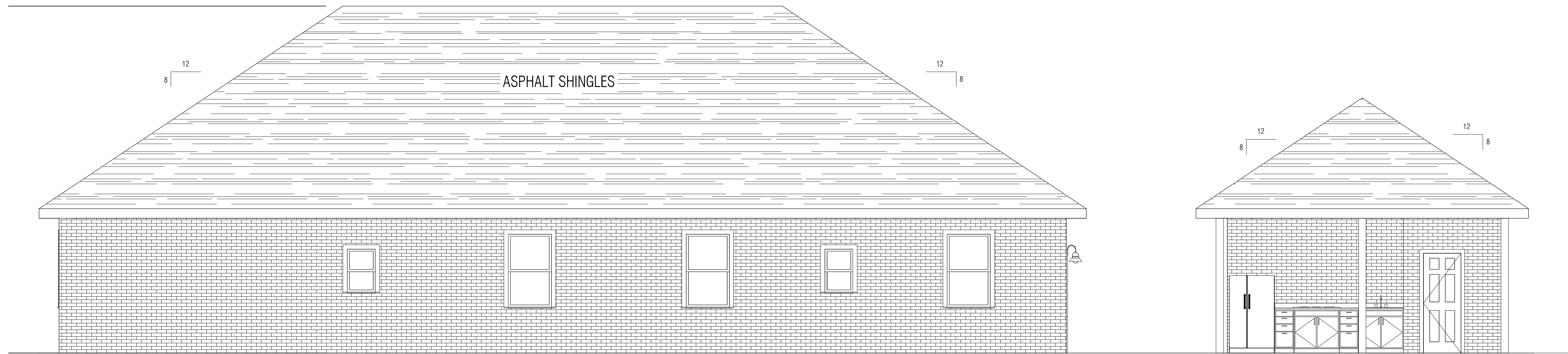


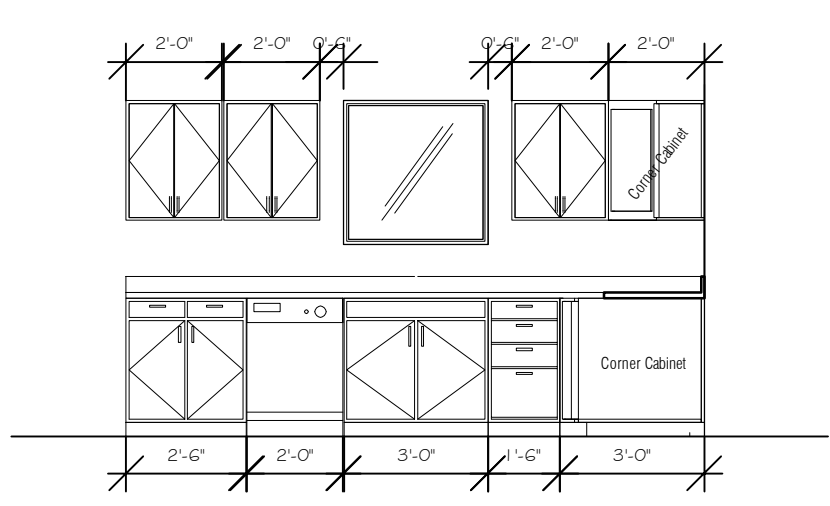
01.11.2021, 11:27:21 AM, C:\Users\BAMMON\OneDrive\Documents\Projects\2023\11.2021\11.2021.dwg



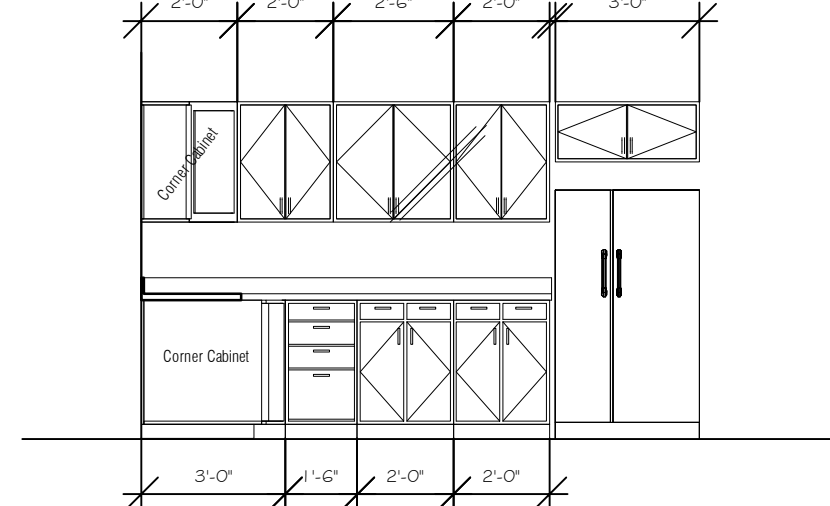
4 FRONT ELEVATION
SCALE: 1/4" = 1'-0"



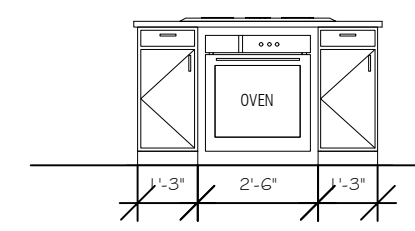
5 REAR ELEVATION
SCALE: 1/4" = 1'-0"



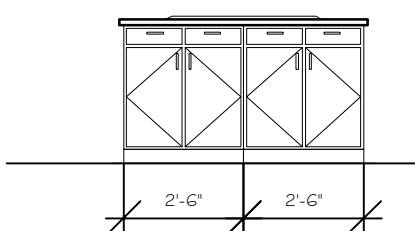
6 KITCHEN "A"
SCALE: 1/4" = 1'-0"



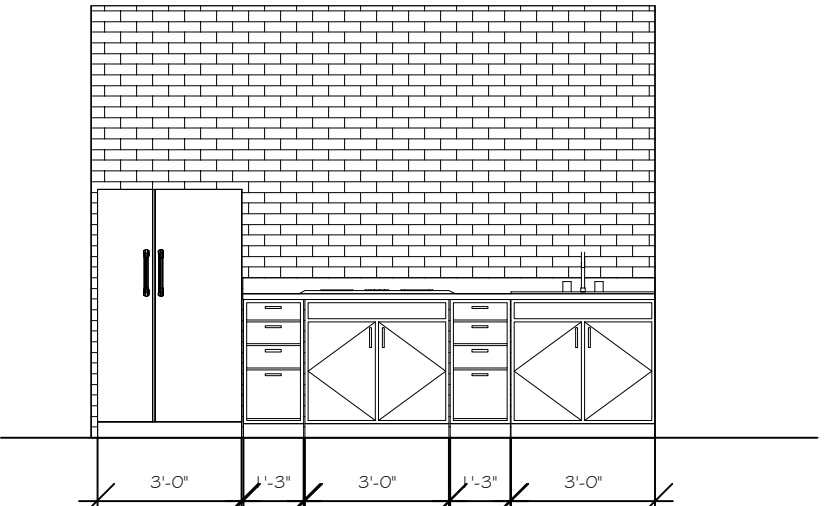
7 KITCHEN "B"
SCALE: 1/4" = 1'-0"



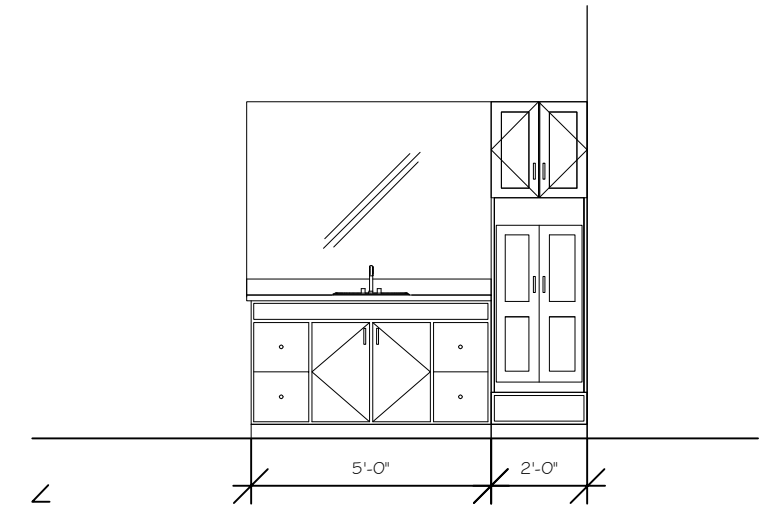
8 ISLAND "A"
SCALE: 1/4" = 1'-0"



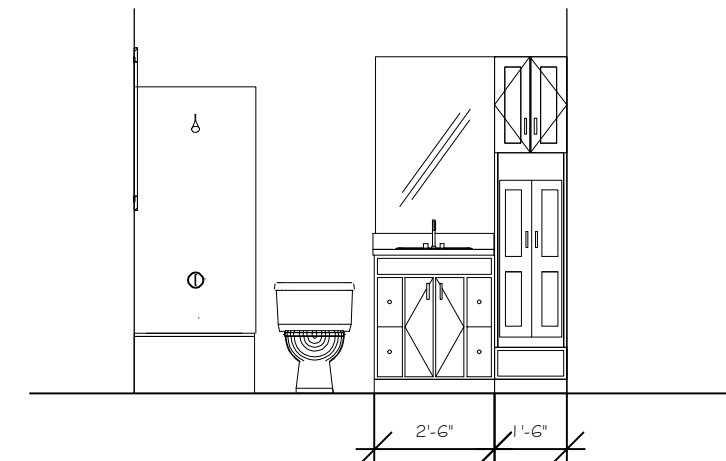
9 ISLAND "B"
SCALE: 1/4" = 1'-0"



10 OUTDOOR KITCHEN
SCALE: 1/4" = 1'-0"



11 MASTER BATH
SCALE: 1/4" = 1'-0"



12 HALL BATH
SCALE: 1/4" = 1'-0"

DAMMON ENGINEERING, INC.
 LOUISIANA & MISSISSIPPI
 www.dammonengineering.com
 info@dammonengineering.com
 PH: 985.649.5832
 Chief Engineer: Brian Mistich, PE
 554 Old Spanish Trail
 Slidell, LA 70488

#	DESCRIPTION	DATE



HUGO MARTINEZ
 LOT 3, STOKES DRIVE
 OAK RANCH ESTATES
 SLIDELL, LA 70460
 JOB No: 10-09-2023
 DATE: 10-09-2023
 DRAWN BY: CKD
 CHECKED BY: EAM

SHEET TITLE:
 BLDG
 ELEVATIONS
 & CABINETS

DRAWING NUMBER:
A102
 SHEET No: 3 of 6