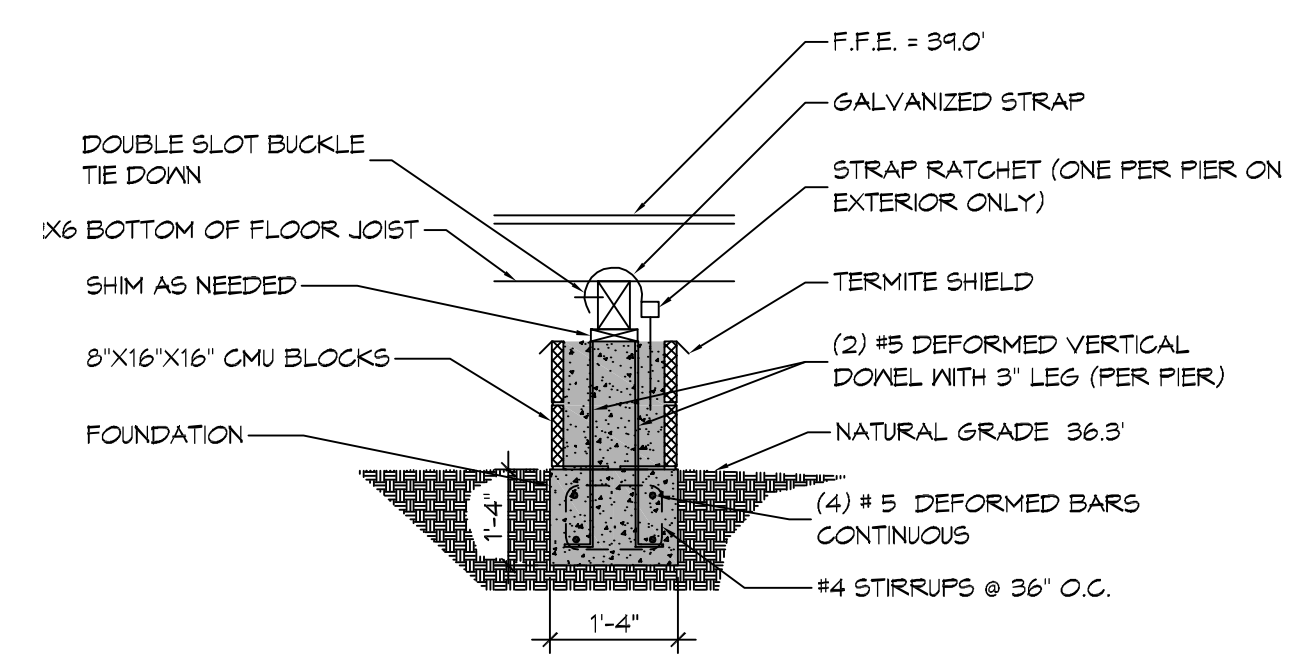




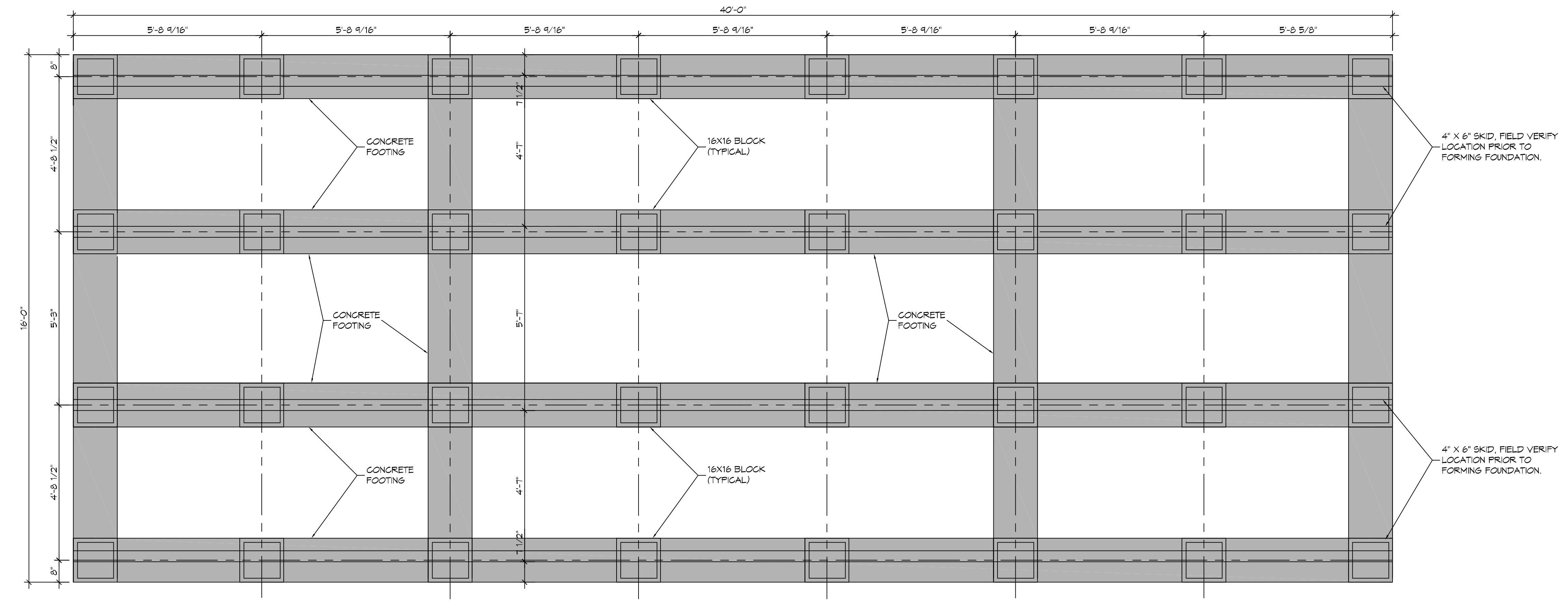
P.E. MARK J. VAN... FOUNDATIONS OF... DAMMON ENGINEERING, INC.

**GENERAL FOUNDATION NOTES**

1. THE CONTRACTOR SHALL VERIFY ALL BEAM BEAM LOCATIONS PRIOR TO INSTALLING PADS AND BLOCKS AND INSTALL ACCORDINGLY.
2. ALL SOIL BELOW SHALL RECEIVE TERMITE TREATMENT.



**FOUNDATION SECTION**  
SCALE: 1/2" = 1'-0"



**FOUNDATION PLAN**  
SCALE: 1/2" = 1'-0"

FOUNDATION PLAN

**DAMMON ENGINEERING, INC.**  
 LOUISIANA & MISSISSIPPI  
 Chief Engineer: Brian Misch, PE  
 554 Old Spanish Trail  
 Slidell, LA 70568  
 www.dammonengineering.com  
 info@dammonengineering.com  
 PH: 985.649.5832 F: 985.641.9950

#	DESCRIPTION	DATE

**M A R K C O U C H**

SHEET TITLE:  
**FOUNDATION PLAN**  
 DRAWING NUMBER:  
**S101**  
 JOB No: 2020 DATE: 01-09-2020  
 DRAWN BY: CKD CHECKED BY: BAM