

PLS. NAME, A.S., FOUNDATION OF STRUCTURAL CIVIL/MECHANICAL/STRUCTURAL ENGINEERING, 554 OLD SPANISH TRAIL, SUITE 101, SLIDELL, LA 70461, MOBILE: 985-649-5832, WWW.DAMMONENGINEERING.COM, INFO@DAMMONENGINEERING.COM

**DESIGN CRITERIA**

THE CONSTRUCTION FOR SAID RESIDENCE, WHERE BASIC WIND SPEED IS 150 MILES PER HOUR, WIND EXPOSURE ZONE D, IS DESIGNED IN ACCORDANCE WITH: AMERICAN FOREST AND PAPER ASSOCIATION (AF&PA) WOOD FRAME CONSTRUCTION MANUAL FOR ONE AND TWO FAMILY DWELLINGS (WFCM) 2001 EDITION AS WELL AS THE INTERNATIONAL RESIDENTIAL CODE (IRC) 2021 EDITION

**PILING COUNT**

47 PILING COUNT

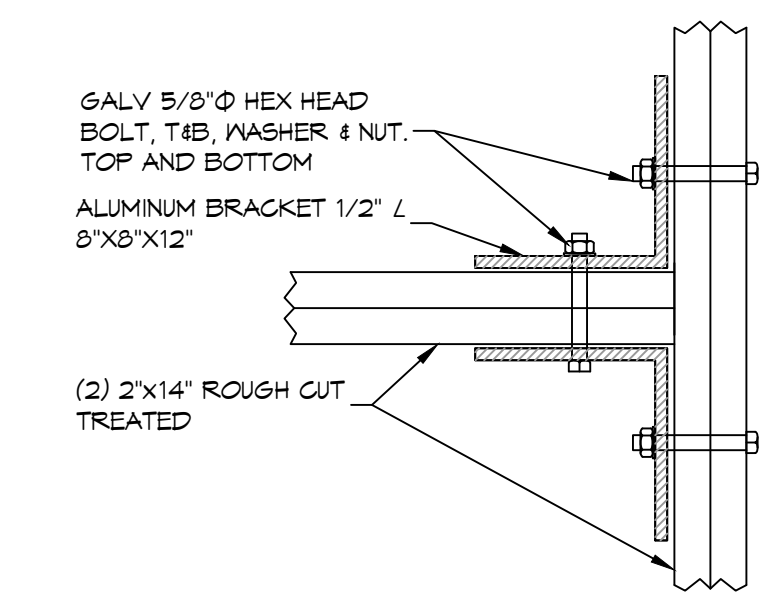
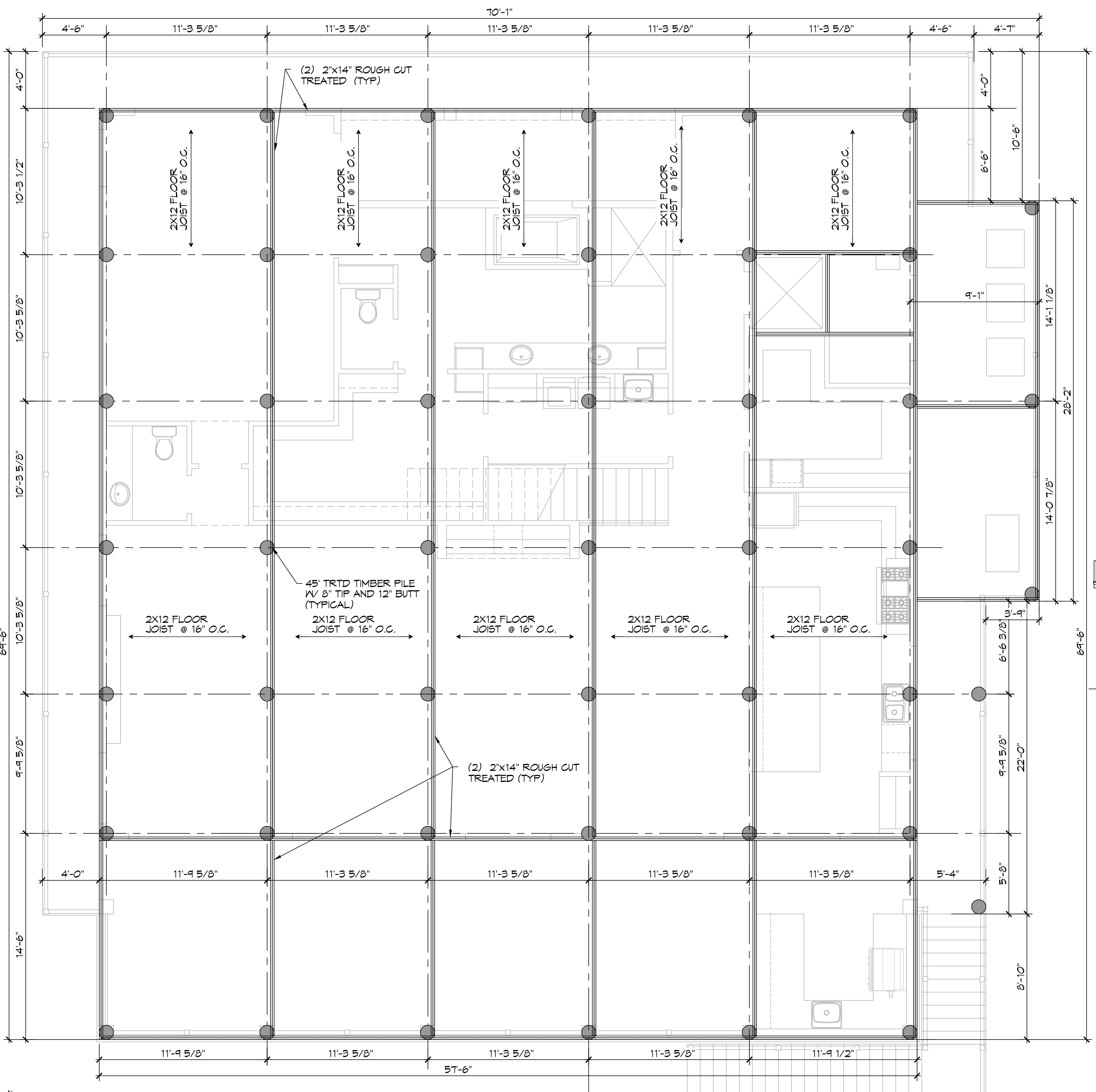
**PILING NOTES**

1. PILES ARE TO BE 45 FT. IN LENGTH WITH A 8 INCH TIP AND 12" BUTT, DRIVEN TO REFUSAL.
2. ALL PILES SHALL BE PRESSURE-TREATED ROUND TIMBER PILES CONFORMING TO ASTM D25.
3. DESIGN LOAD = 5 TONS PER PILE.
4. NO FIELD SUPERVISION OR INSPECTION PROVIDED UNDER THIS SEAL UNLESS OTHERWISE NOTED.
5. PILE LAYOUT MAY BE MODIFIED DUE TO ACTUAL DRIVING CONDITIONS. ENGINEER TO BE NOTIFIED ON ANY MODIFICATION.
6. A PILE BLOW COUNT LOG OF ALL PILES IS TO BE SUBMITTED TO THE ENGINEER OF RECORD. FAILURE TO SUBMIT SAID LOG WILL RELEASE THE ENGINEER OF ALL RESPONSIBILITY.
7. CONTRACTOR IS RESPONSIBLE FOR THE COMPARISON & VERIFICATION OF PILE LAYOUT DIMENSIONS WITH MOST RECENT ARCHITECTURAL DRAWINGS, ASSURING THAT PILES DO FALL WITHIN LIMITS OF THE DESIGN.
8. USE DROP HAMMER OR SINGLE ACTING AIR HAMMER DELIVERING 7500 FT-LEBS OF ENERGY PER BLOW. MAX HEIGHT OF DROP HAMMER SHALL NOT EXCEED 2,500 TO 3,000 LBS AND THE DROP SHOULD NOT EXCEED 3 FT., AT MINIMUM OF 25 BLOWS PER FOOT. IF THE DROP EXCEEDS 3 FT., CONTACT ENGINEER FOR INSTRUCTIONS.
9. BRACE ALL PILING AS NEEDED FOR SWAYING. BRACE PORCH BACK TO PILING.
10. FIELD VERIFY DIMENSIONS AGAINST THE ARCHITECTURAL DRAWINGS.
11. WRAP ALL PILING AT BASE LINE.

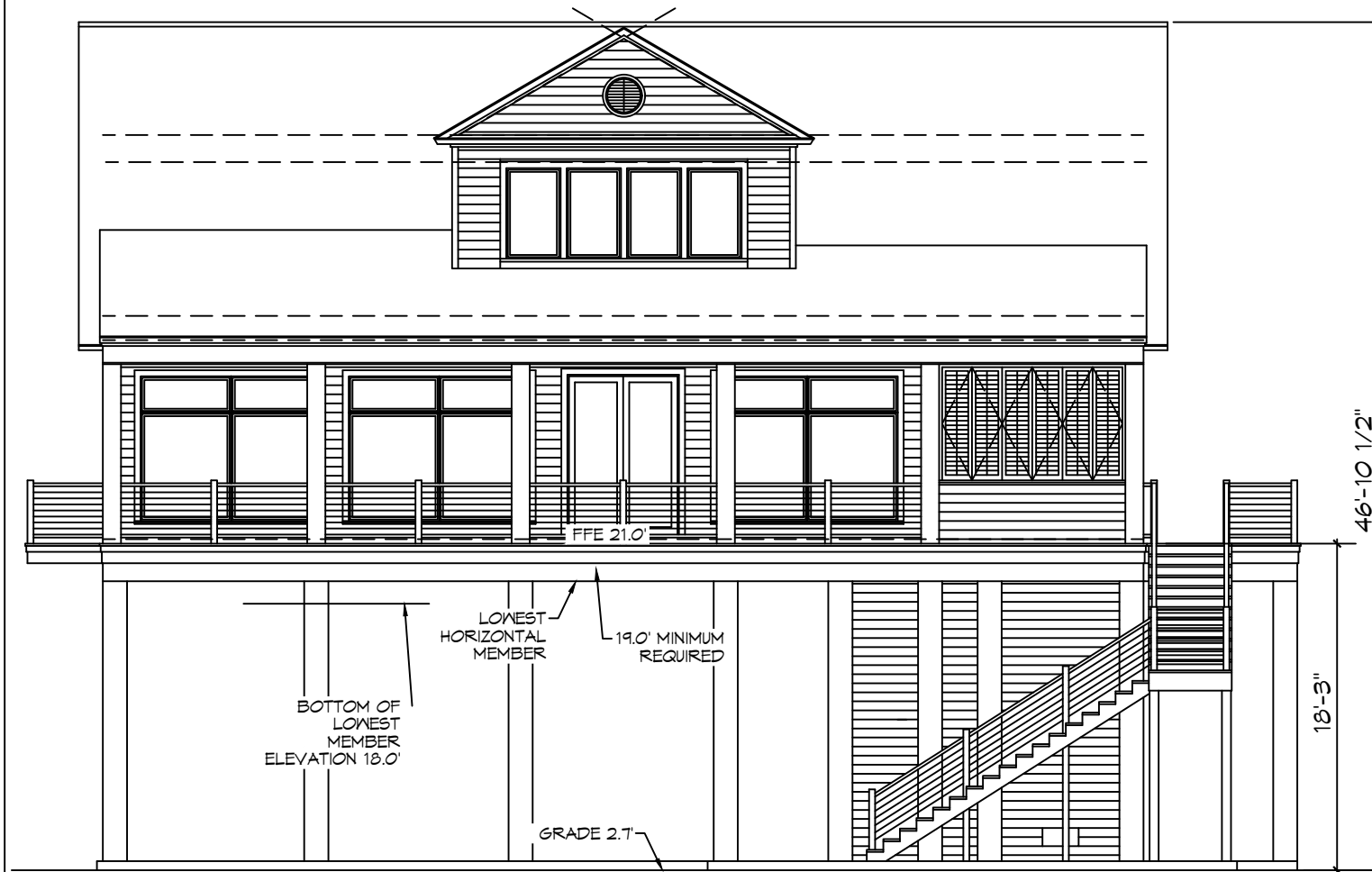
**GENERAL NOTES**

1. ALL LUMBER SHALL BE PRESSURE TREATED WITH A RETENTION OF .4 PER C.F.
2. ALL FASTENERS SHALL BE HOT DIPPED GALVANIZED (HDG) PER ASTM A153.
3. ALL CONNECTORS SHALL BE HDG PER ASTM A653, CLASS G185 SHEET WITH 1.85 OZ/SF ZINC COATING.
4. DOUBLE UP ON FLOOR JOISTS UNDER ALL LOAD BEARING WALLS AND BATHTUBS.

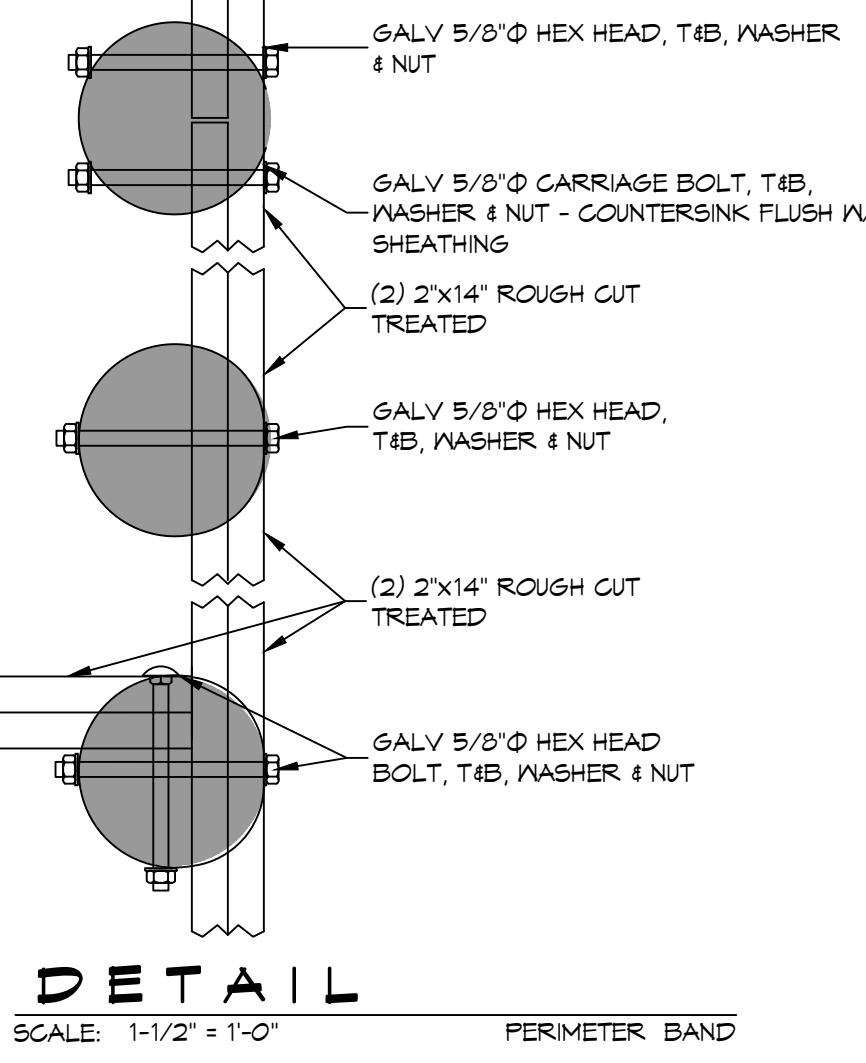
**DAMMON ENGINEERING, INC.**  
 LOUISIANA & MISSISSIPPI  
 Chief Engineer: Brian Mestich, PE  
 554 Old Spanish Trail  
 Slidell, LA 70458  
 www.dammonengineering.com  
 info@dammonengineering.com  
 PH: 985-649-5832



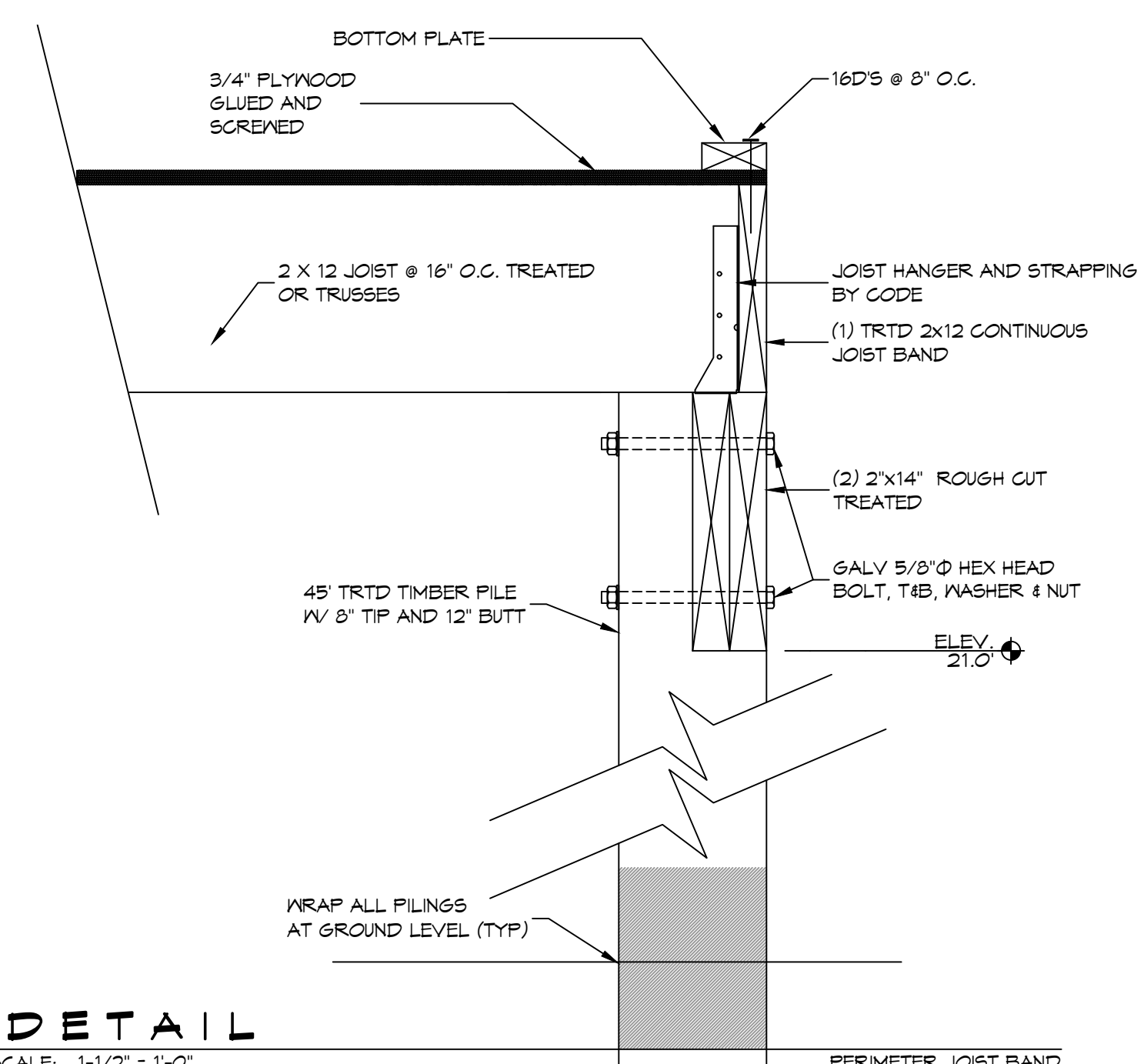
**DETAIL**  
SCALE: 1-1/2" = 1'-0" CONNECTION BRACKET ON 2X14



**BLDG HEIGHT**  
SCALE: N.T.S.



**DETAIL**  
SCALE: 1-1/2" = 1'-0" PERIMETER BAND



**DETAIL**  
SCALE: 1-1/2" = 1'-0" PERIMETER JOIST BAND

**1 PILING & BANDING PLAN**  
SCALE: 1/4" = 1'-0"

DATE	REVISIONS	#	DESCRIPTION



**PILING PLAN**  
**THE DIVINCE RESIDENCE**  
 55 TREASURE ISLES  
 SLIDELL, LA 70461  
 JOB No: 2024  
 DATE: 04-15-2024  
 DRAWN BY: CKD  
 CHECKED BY: BAY

SHEET TITLE:  
 PILING & BANDING PLAN  
 DRAWING NUMBER:  
**S101**  
 SHEET No: 1 of 1