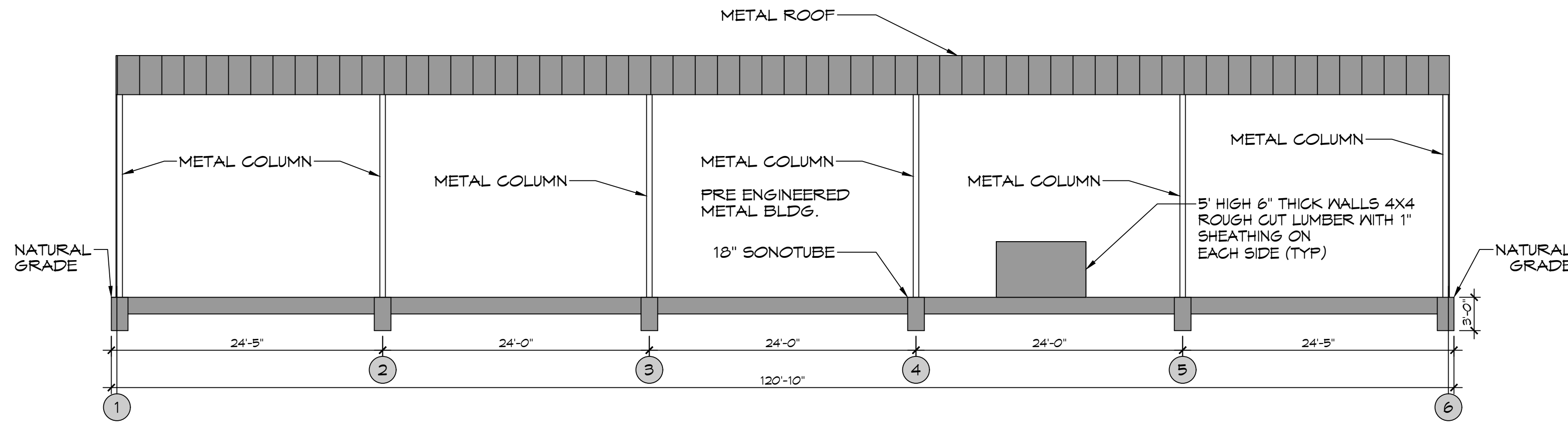


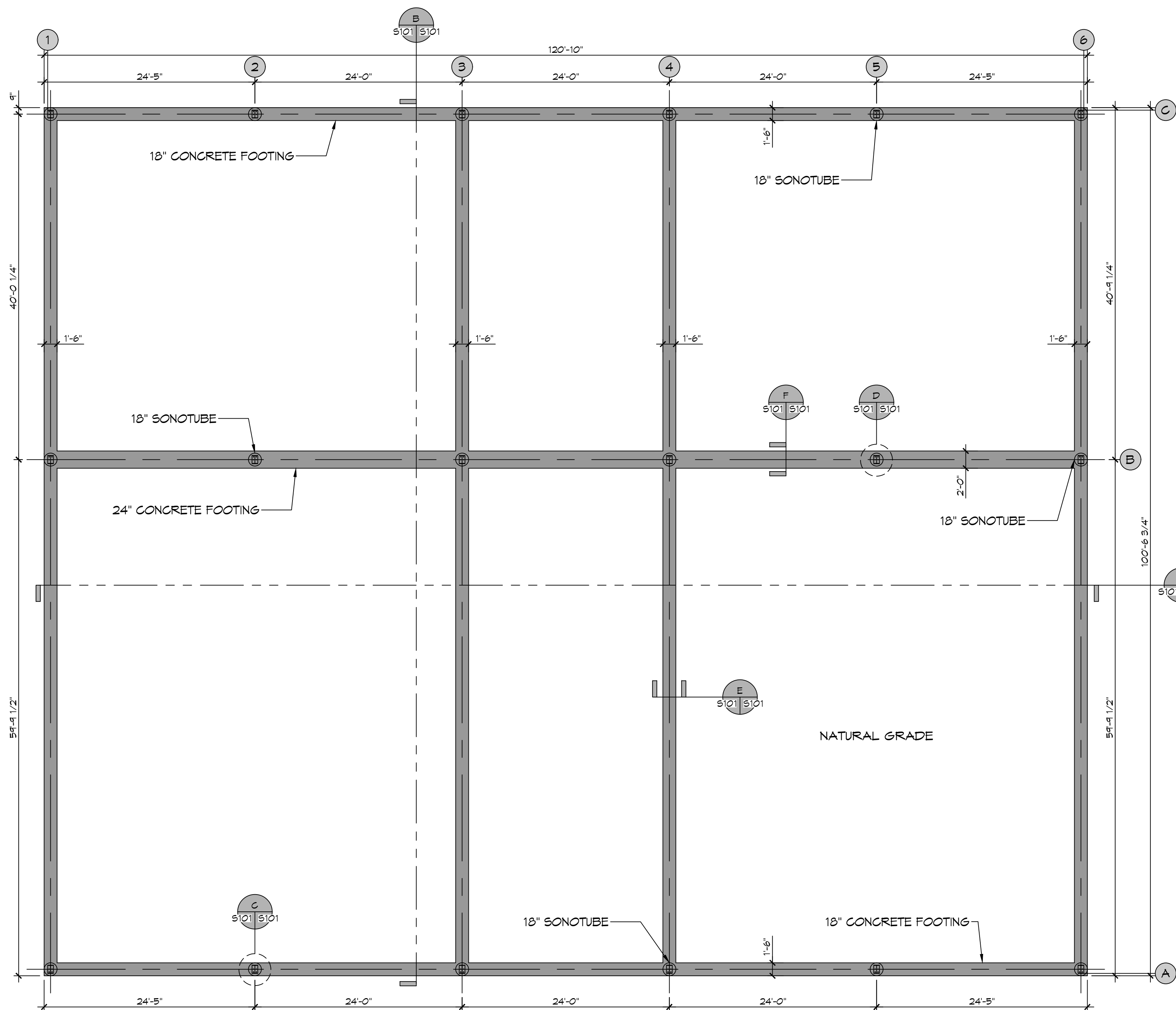
GENERAL FOUNDATION NOTES

1. THE CONCRETE MIX SHALL HAVE A MINIMUM COMPRESSIVE STRENGTH OF 4000 PSI AT 28 DAYS. CONCRETE MIX SHALL BE IN ACCORDANCE WITH ACI-318.
2. ALL CONVENTIONAL REINFORCING SHALL MEET ASTM-A615 (GRADE 60).
3. ALL REINFORCING STEEL AND MESH SHALL BE SECURELY SUPPORTED TO PREVENT BOTH VERTICAL AND HORIZONTAL MOVEMENT DURING CONCRETE PLACEMENT.
4. THE CONTRACTOR SHALL VERIFY ALL DROPS, OFFSETS, CMU LEDGES, DIMENSIONS, AND CONFIGURATIONS. CONTRACTOR MUST BE RESPONSIBLE FOR SAME.
5. GRADE BEAM SIZES MAY VARY BY -5% TO +20%.
6. ALL SUBGRADE FILL SHALL BE SELECT GRANULAR MATERIAL COMPACTED TO 95% STANDARD PROCTOR DENSITY IN A MAXIMUM OF 6' LIFTS.
7. ALL RUNOFF WATER MUST BE CARRIED AWAY FROM THE SLAB TO PREVENT SATURATION OF THE SUB-BASE.
8. ALL TREES WITHIN CLOSE PROXIMITY SHALL BE REMOVED TO PREVENT THE ROOTS FROM EXTENDING UNDER THE SLAB.
9. PROVIDE AND MAINTAIN IMMEDIATE SITE DRAINAGE BEFORE, DURING, AND AFTER CONSTRUCTION. PROVIDE GRADING, SWELLS, AND SUMP PUMPS AS MAY BE REQUIRED TO IMMEDIATELY DRAIN ALL RAINWATER FROM THE CONSTRUCTION AREA. FOOTING EXCAVATIONS SHOULD BE OBSERVED AND CONCRETE TO BE PLACED AS QUICKLY AS POSSIBLE TO AVOID EXPOSURE OF THE FOOTING BOTTOMS TO WETTING AND DRYING. SURFACE RUNOFF WATER SHOULD BE DRAINED AWAY FROM THE EXCAVATIONS AND NOT BE ALLOWED TO POND PRIOR TO OR AFTER CONCRETE PLACEMENT. IF IT IS REQUIRED THAT A FOOTING EXCAVATION BE LEFT OPEN FOR MORE THAN ONE DAY, IT SHOULD BE PROTECTED TO REDUCE EVAPORATION OR ENTRY OF MOISTURE.
10. NEW CONTINUOUS FOOTINGS, BEARING ON COMPACTED STRUCTURAL FILL, SHOULD BE DESIGNED FOR MAXIMUM NET ALLOWABLE BEARING PRESSURES OF 2,000 PSF RESPECTIVELY, BASED ON DEAD LOADS AND DESIGN LIVE LOADS.

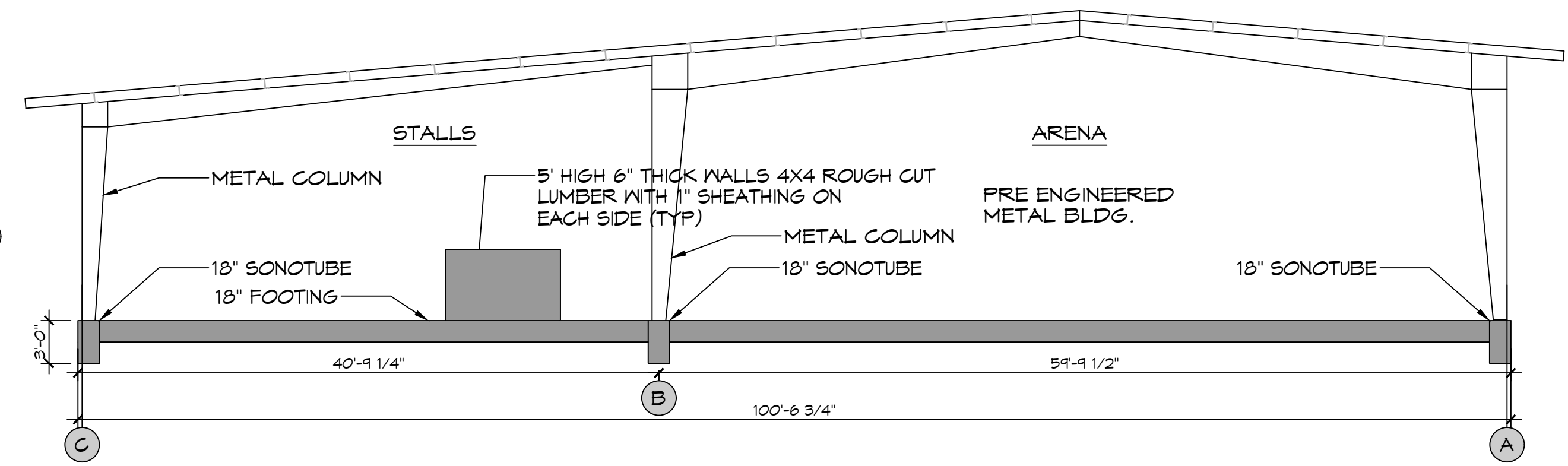
DAMMON ENGINEERING, INC.
 LOUISIANA & MISSISSIPPI
 www.dammonengineering.com
 info@dammon.com
 Phone: 985.649.5832
 Email Engineer: Brian Hestrich, PE
 5500 Old Highway 101, Suite 101
 Slidell, LA 70488



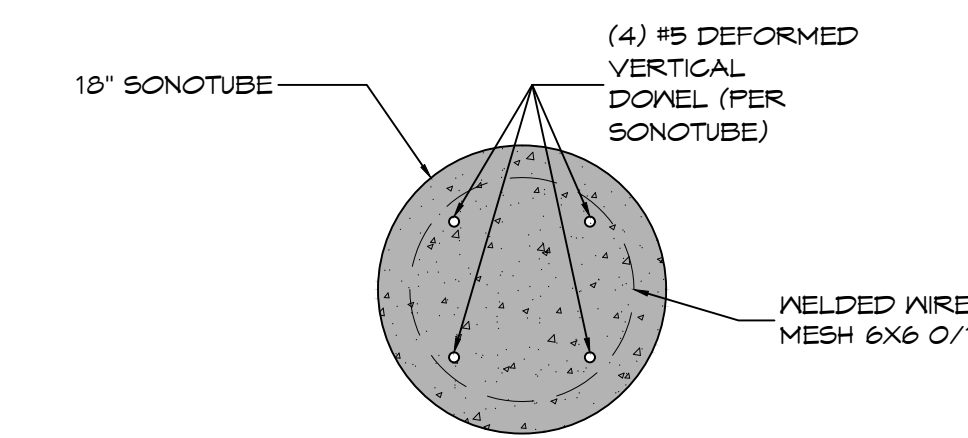
A SECTION
 SCALE: 1/8" = 1'-0"



2 FOUNDATION PLAN
 SCALE: 1/8" = 1'-0"

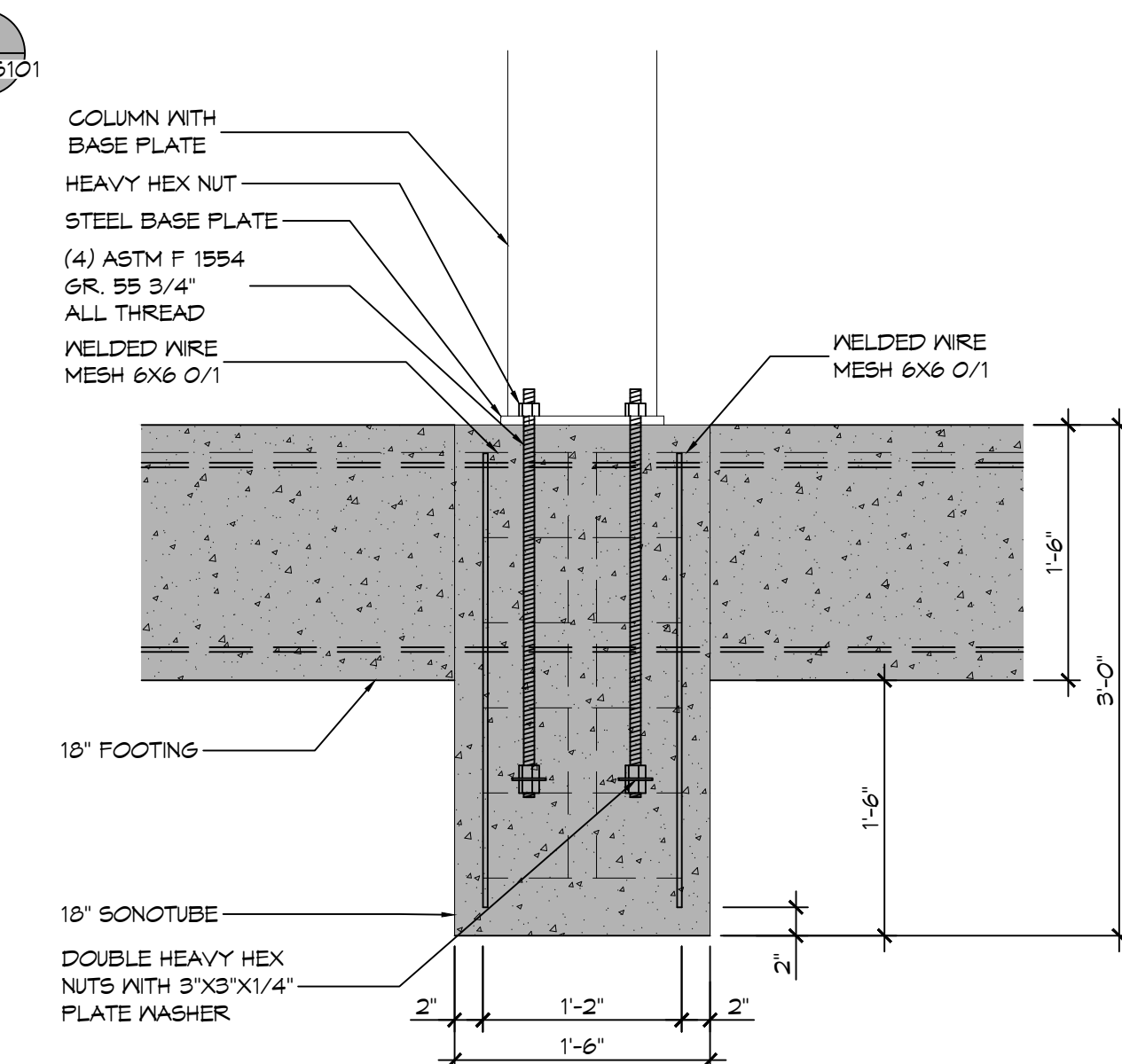
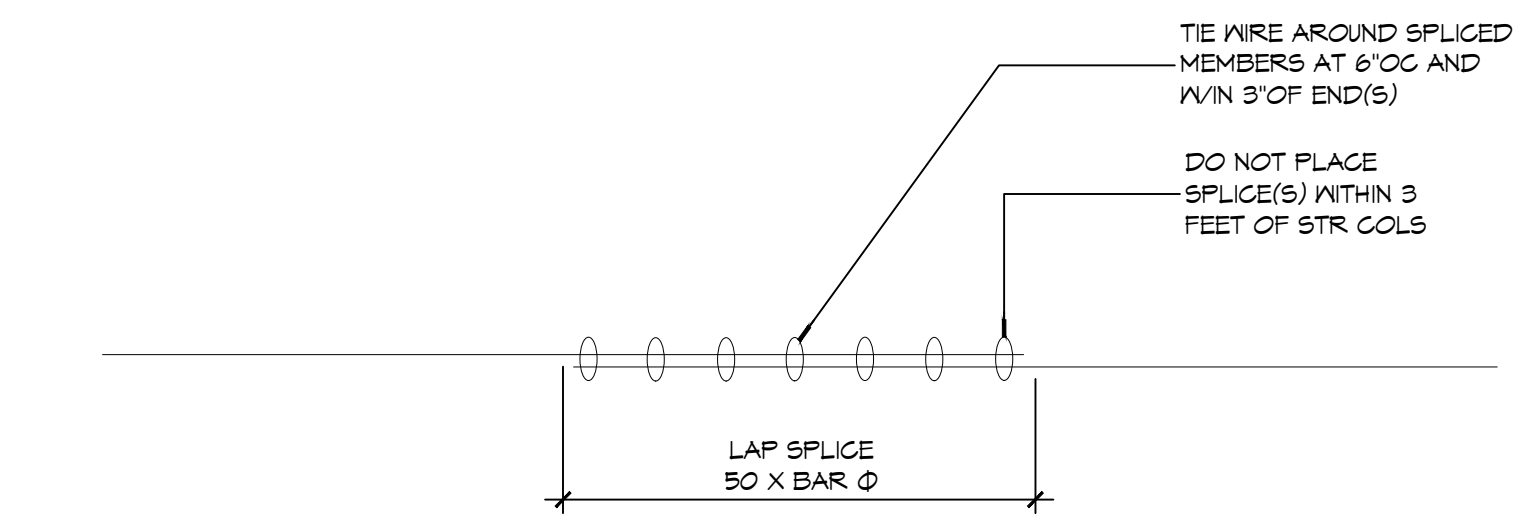


B SECTION
 SCALE: 1/8" = 1'-0"

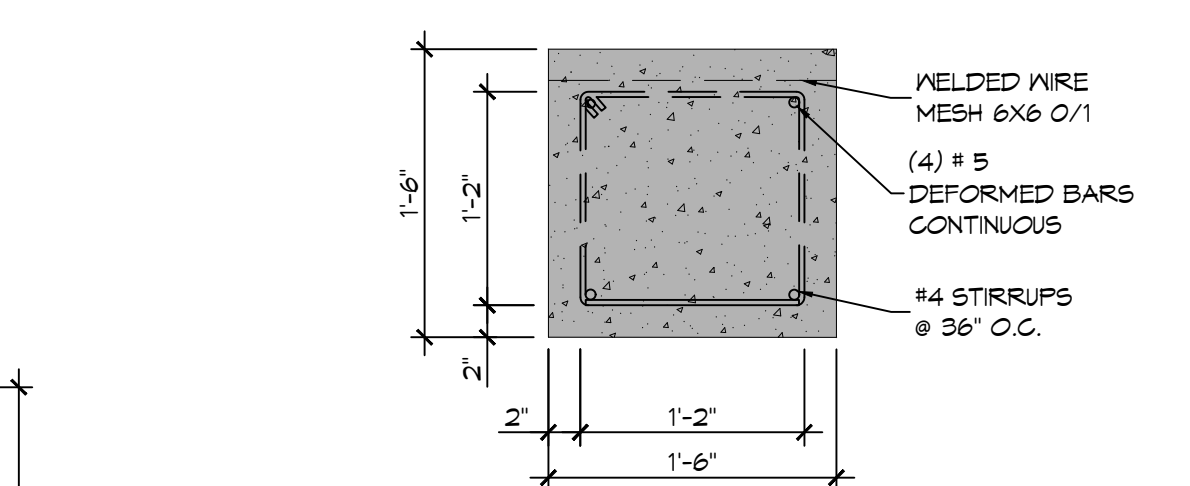


D PLAN VIEW
 SCALE: 1" = 1'-0"

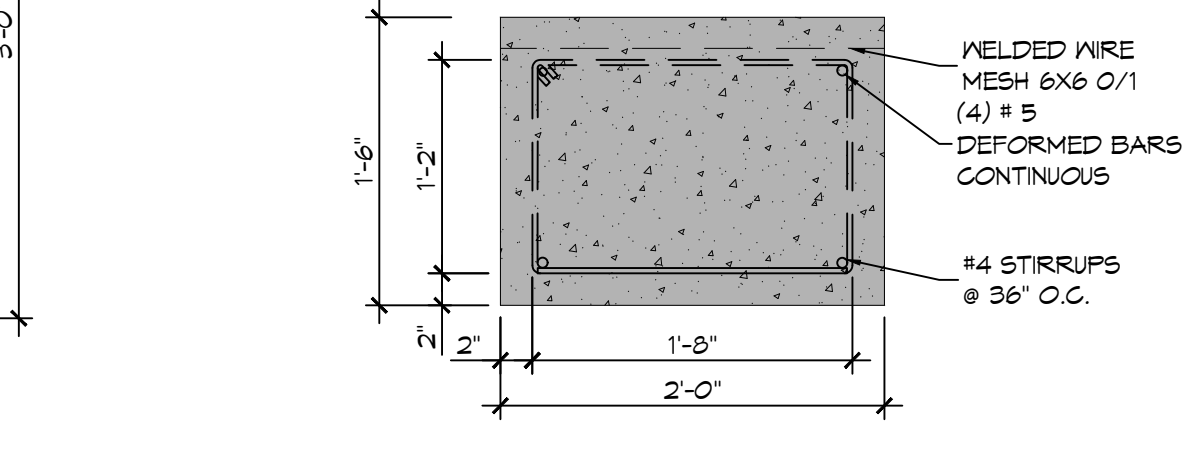
2 DETAIL
 SCALE: 1" = 1'-0"



C SECTION
 SCALE: 1" = 1'-0"



E SECTION
 SCALE: 1" = 1'-0"



F SECTION
 SCALE: 1" = 1'-0"

| # | DESCRIPTION | DATE |
|---|-------------|------|
| | | |
| | | |
| | | |
| | | |
| | | |
| | | |
| | | |
| | | |
| | | |
| | | |

SEAL: _____

NEW PRIVATE RIDING ARENA
ROBERT YOUNG RIDING ARENA
 LOT # 71605
 24516 HEMPILL ROAD
 BUSH LA, 70451
 JOB NO: 2024
 DATE: 05-15-2024
 DRAWN BY: BAH
 C&D CHECKED BY: BAH

SHEET TITLE:
 FOUNDATION PLAN
 DRAWING NUMBER:
S101
 SHEET No: 2 of 3

