



## GENERAL FOUNDATION NOTES

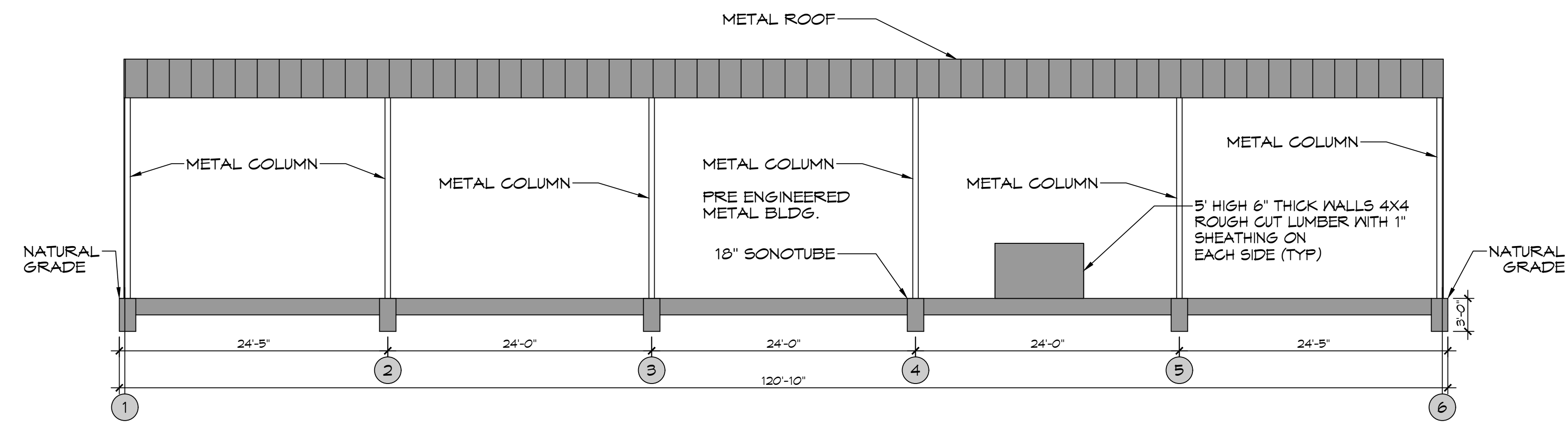
1. THE CONCRETE MIX SHALL HAVE A MINIMUM COMPRESSIVE STRENGTH OF 4000 PSI AT 28 DAYS. CONCRETE MIX SHALL BE IN ACCORDANCE WITH ACI-318.
2. ALL CONVENTIONAL REINFORCING SHALL MEET ASTM-A615 (GRADE 60).
3. ALL REINFORCING STEEL AND MESH SHALL BE SECURELY SUPPORTED TO PREVENT BOTH VERTICAL AND HORIZONTAL MOVEMENT DURING CONCRETE PLACEMENT.
4. THE CONTRACTOR SHALL VERIFY ALL DROPS, OFFSETS, CMU LEDGES, DIMENSIONS, AND CONFIGURATIONS. CONTRACTOR MUST BE RESPONSIBLE FOR SAME.
5. GRADE BEAM SIZES MAY VARY BY -5% TO +20%.
6. ALL SUBGRADE FILL SHALL BE SELECT GRANULAR MATERIAL COMPACTED TO 95% STANDARD PROCTOR DENSITY IN A MAXIMUM OF 6' LIFTS.
7. ALL RUNOFF WATER MUST BE CARRIED AWAY FROM THE SLAB TO PREVENT SATURATION OF THE SUB-BASE.
8. ALL TREES WITHIN CLOSE PROXIMITY SHALL BE REMOVED TO PREVENT THE ROOTS FROM EXTENDING UNDER THE SLAB.
9. PROVIDE AND MAINTAIN IMMEDIATE SITE DRAINAGE BEFORE, DURING, AND AFTER CONSTRUCTION. PROVIDE GRADING, SWELLS, AND SUMP PUMPS AS MAY BE REQUIRED TO IMMEDIATELY DRAIN ALL RAINWATER FROM THE CONSTRUCTION AREA. FOOTING EXCAVATIONS SHOULD BE OBSERVED AND CONCRETE TO BE PLACED AS QUICKLY AS POSSIBLE TO AVOID EXPOSURE OF THE FOOTING BOTTOMS TO WETTING AND DRYING. SURFACE RUNOFF WATER SHOULD BE DRAINED AWAY FROM THE EXCAVATIONS AND NOT BE ALLOWED TO POND PRIOR TO OR AFTER CONCRETE PLACEMENT. IF IT IS REQUIRED THAT A FOOTING EXCAVATION BE LEFT OPEN FOR MORE THAN ONE DAY, IT SHOULD BE PROTECTED TO REDUCE EVAPORATION OR ENTRY OF MOISTURE.
10. NEW CONTINUOUS FOOTINGS, BEARING ON COMPACTED STRUCTURAL FILL, SHOULD BE DESIGNED FOR MAXIMUM NET ALLOWABLE BEARING PRESSURES OF 2,000 PSF RESPECTIVELY, BASED ON DEAD LOADS AND DESIGN LIVE LOADS.

# DAMMON ENGINEERING, INC.

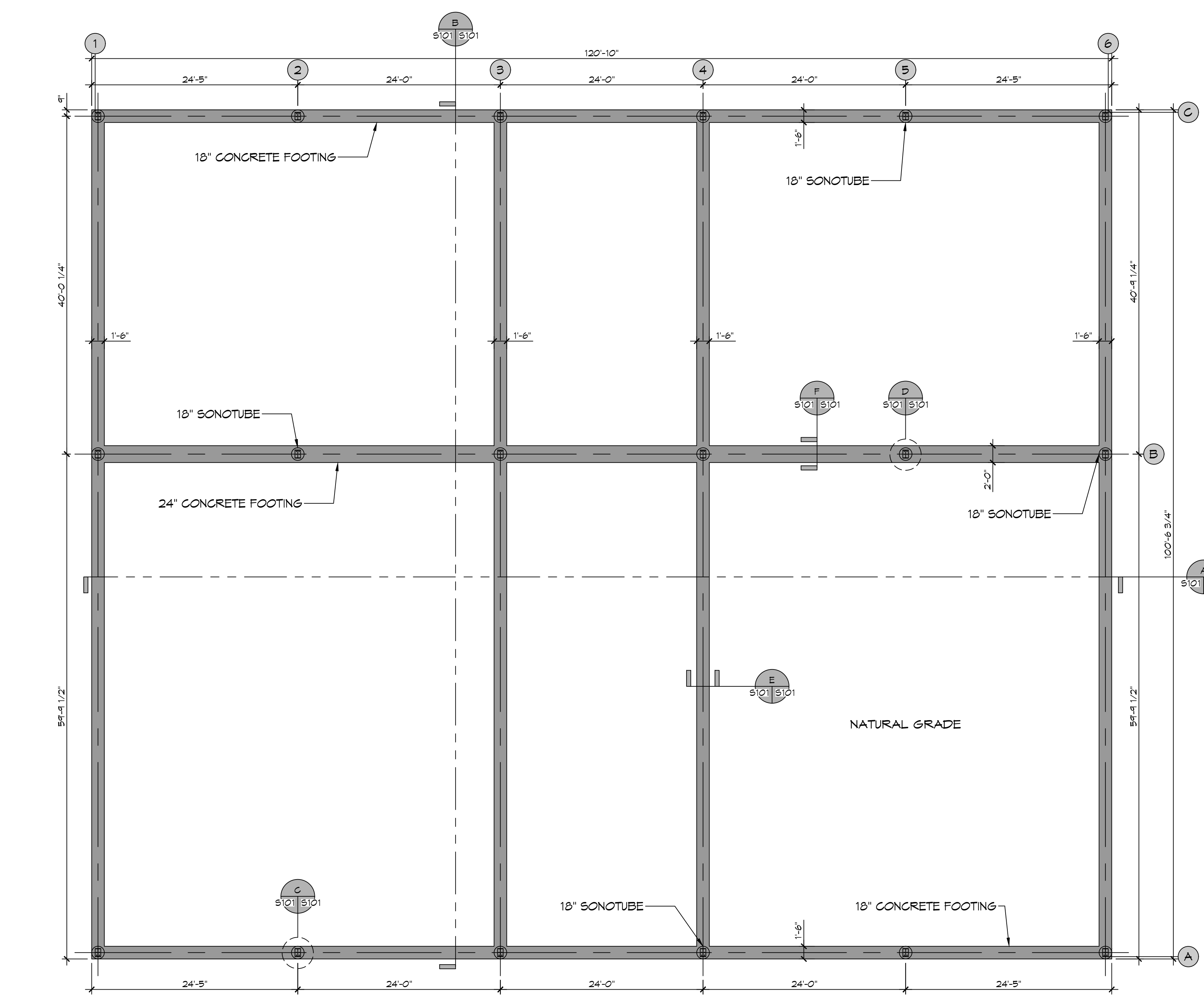
LOUISIANA & MISSISSIPPI

www.dammonengineering.com  
info@dammon.com  
PH: 985.649.5832

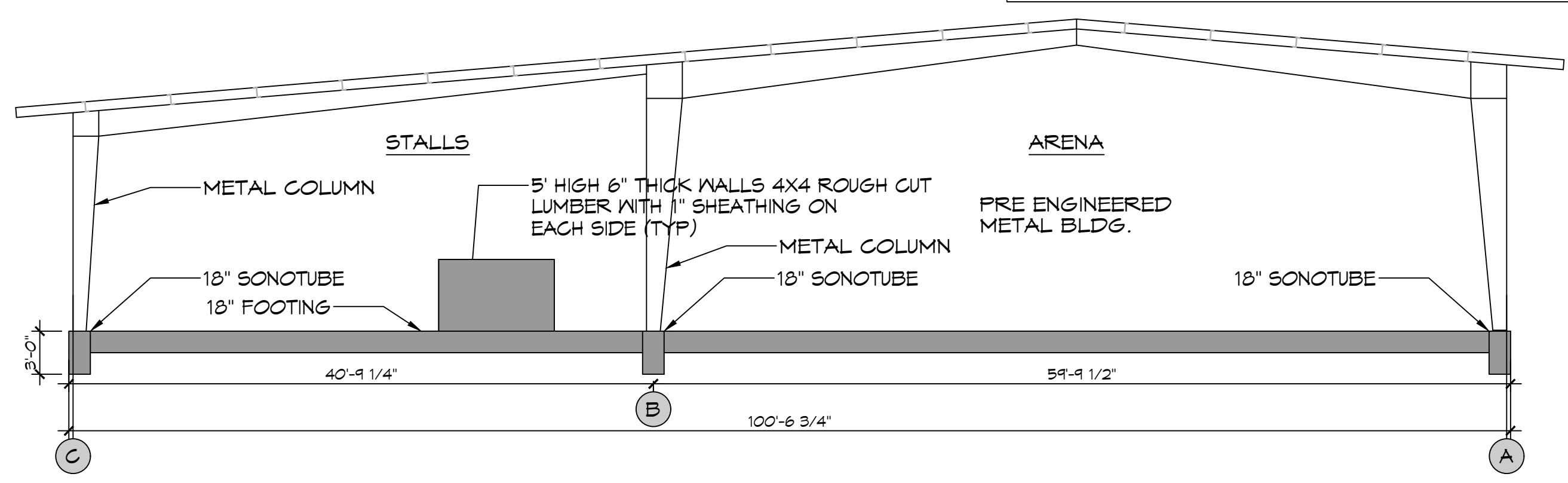
Civil Engineer: Brian Misch, PE  
556 Co. Road 1000  
Sibley, LA 70488



**A SECTION**  
SCALE: 1/8" = 1'-0"



**2 FOUNDATION PLAN**  
SCALE: 1/8" = 1'-0"

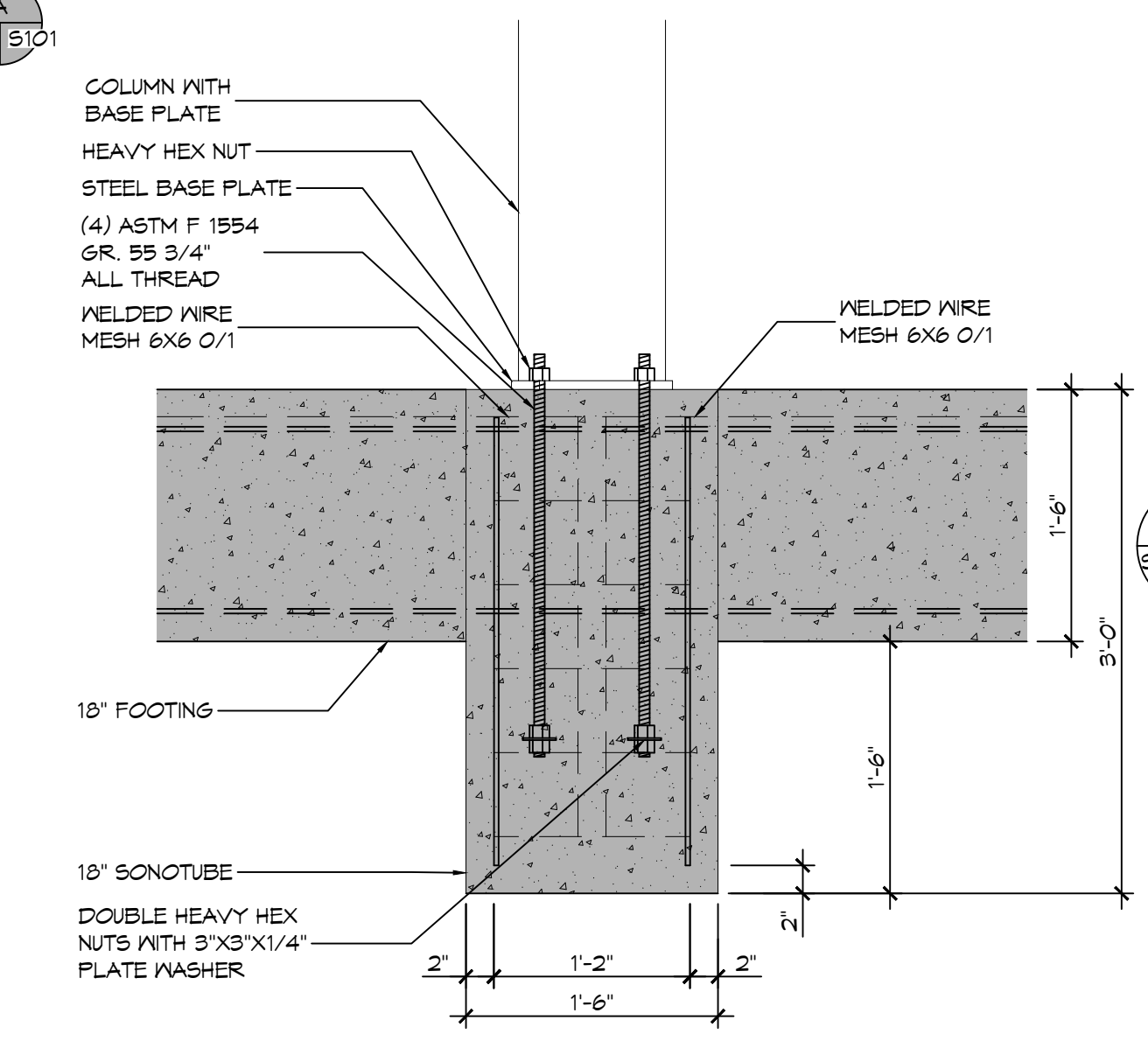


**B SECTION**  
SCALE: 1/8" = 1'-0"

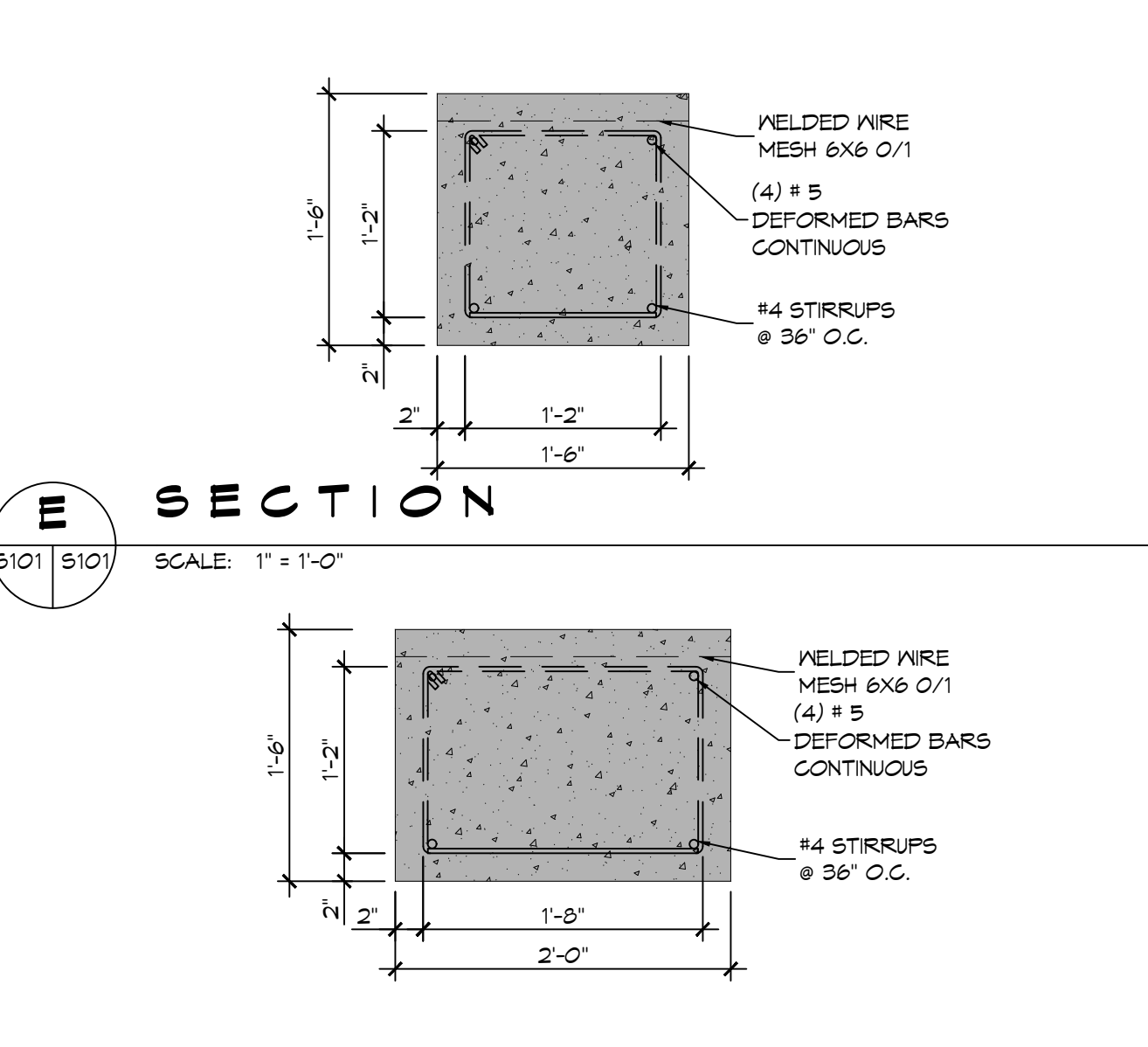


**D PLAN VIEW**  
SCALE: 1" = 1'-0"

**2 DETAIL**  
SCALE: 1" = 1'-0"



**C SECTION**  
SCALE: 1" = 1'-0"



**E SECTION**  
SCALE: 1" = 1'-0"

| # | DESCRIPTION | DATE |
|---|-------------|------|
|   |             |      |
|   |             |      |
|   |             |      |



**NEW PRIVATE RIDING ARENA**

**ROBERT YOUNG RIDING ARENA**

LOT # 71605  
24516 HEMPHILL ROAD  
BUSH LA, 70481

JOB NO: 2024  
DATE: 09-21-2024

DRAWN BY: BAY  
CHECKED BY: C&D

SHEET TITLE:  
FOUNDATION PLAN

DRAWING NUMBER:  
**S101**

SHEET No: 2 of 3

