

**SHEAR WALL DETAIL**

NT.S.  
ALL EXTERIOR WALLS SHALL BE SHEATHED. SHEATH INTERIOR WALLS ONLY AS INDICATED ON PLANS. NOTE: UPLIFT CONNECTORS NOT SHOWN

**TYPICAL WINDOW OPENING DETAIL (DOOR OPENING SIMILAR)**

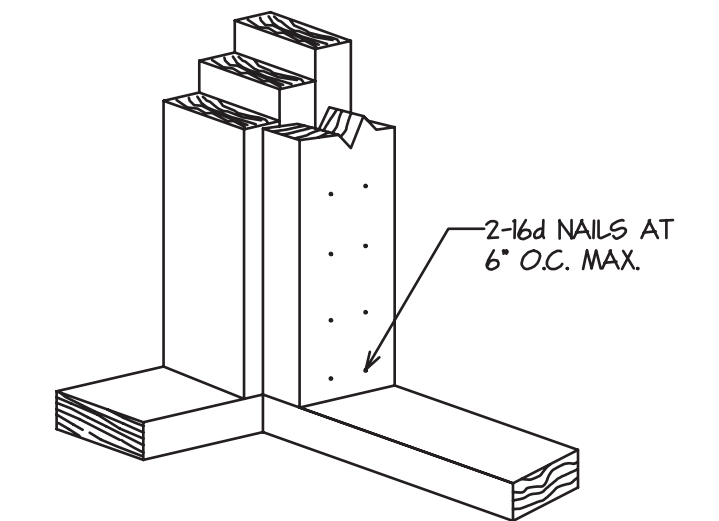
NT.S.  
ALL EXTERIOR WALLS SHALL BE SHEATHED, NOT SHOWN. SEE SHEAR WALL DETAIL FOR INFO NOT SHOWN. RAFTERS NOT SHOWN, ANCHOR BOLTS NOT SHOWN. CLIPS SHOWN ARE BASED UPON WINDOW LOCATION GREATER THAN 4FT FROM CORNER

**HOLLOW COL. UPLIFT CONNECTION W/ PIPE**

NT.S.  
NOTE: FOR 2 PIECE OR JOB BUILT HOLLOW COL. (HOLLOW COL. NOT SHOWN)

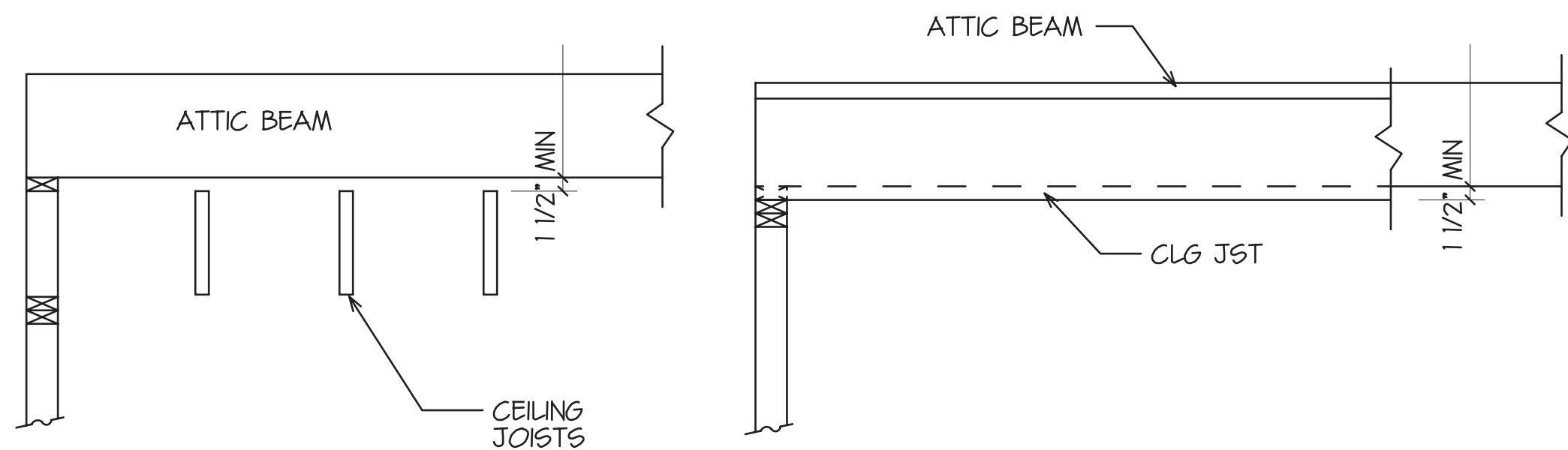
**HOLLOW COL. UPLIFT CONNECTION**

NT.S.  
PER SIMPSON TECHNICAL BULLETIN, INSTALLATION NO. 2. NOTE: ABOVE DETAIL IS FOR 1 OR 2 PIECE LOAD BEARING HOLLOW COLUMNS. SEE ALT. HOLLOW COL. DETAIL FOR 2 PIECE HOLLOW COLUMNS. NON-LOAD BEARING HOLLOW COLUMNS SHALL HAVE A 6x6 POST (MIN) AND SIMPSON ABU66 BASE AND SIMPSON CC CAP

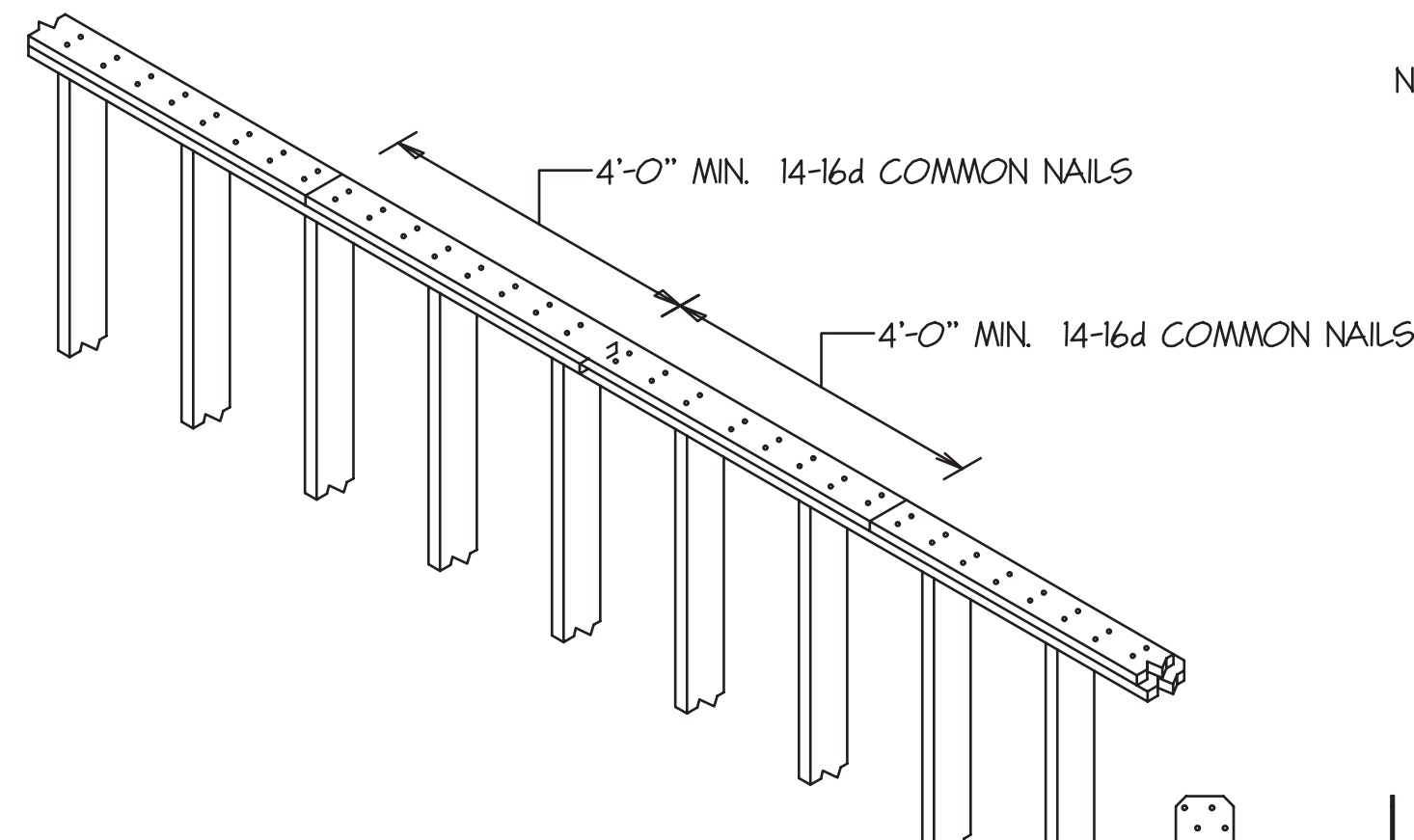


**TYPICAL BUILT UP CORNER POST DETAIL**

NT.S.  
ANCHOR BOLTS NOT SHOWN

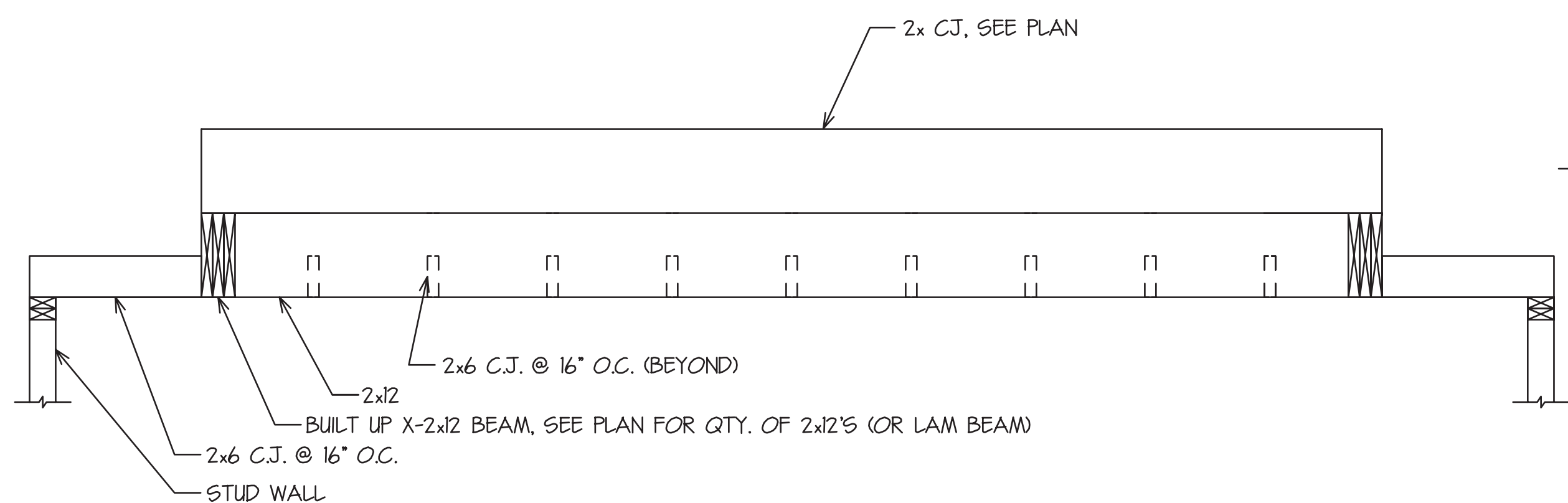


**ATTIC BEAM DETAIL**  
SCALE - 3/4" = 1'-0"



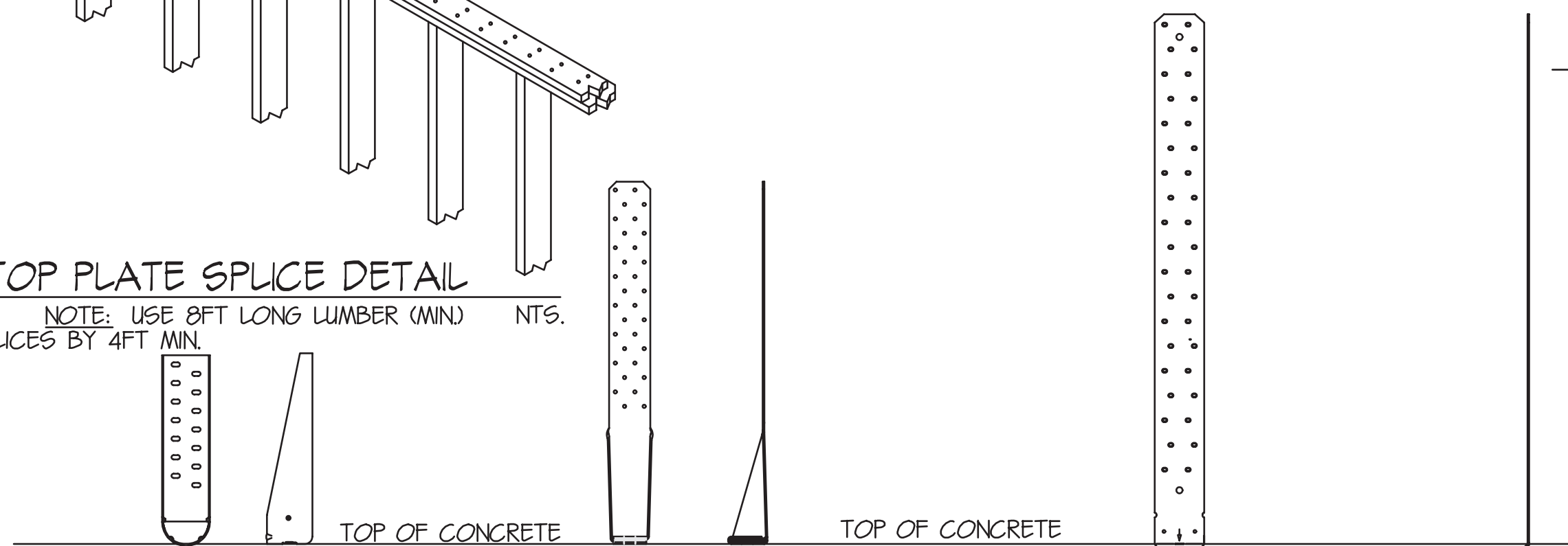
**TYPICAL TOP PLATE SPLICE DETAIL**

NT.S.  
NOTE: USE 8FT LONG LUMBER (MIN) & OFFSET SPLICES BY 4FT MIN.



**TYPICAL SECTION THRU STEP CEILING**

SCALE - 3/4" = 1'-0"  
NOTE: VENEERS & INSULATION NOT SHOWN. DO NOT SHEATH STEP CEILING JOISTS FOR STORAGE. STORAGE ON STEP CEILING NOT ALLOWED



**SIMPSON HOLD DOWN CONNECTORS**

(SEE DRAWING S-11 FOR LOCATIONS)

NT.S.



**STRUCTURAL STANDARDS**

PLANS FOR:  
ROBERT "FRANKIE" CHEEK  
81 LAFITTE STREET  
MANDEVILLE, LA

DATE: 5-3-18

**DesignTech Residential Planners, Inc.**  
St. Tammany Parish, LA.  
COVINGTON 985-871-7211 SLIDELL 985-847-0600

CODE	LIVING	AREA U.B.	INDEX
R	84	84	11478

DESIGNED BY	DRAWN BY	CHECKED BY	DATE
DMH	DMH	DMH	

©Copyright 2017, an established work by DesignTech Residential Planners, Inc. ALL RIGHTS RESERVED.

EMAIL: houseplans@designtechusa.com

Although every effort has been made in preparing these plans, the contractor must check all details for accuracy or errors and be responsible for some. Purchaser assumes the risk of any errors, omissions or mistakes during construction due to the fact that DesignTech does not perform field supervision nor select building materials sub-contractors and/or products/equipment. All notes, specifications and other information on the plans are included as instructed by and/or with the approval of Purchaser and without warranty of any kind whatsoever. PLANS HAVE BEEN PREPARED FOR USE BY KNOWLEDGEABLE AND EXPERIENCED, LICENSED CONTRACTORS. This drawing contains valuable, confidential, proprietary, trade secret information of DesignTech Residential Planners, Inc. No reproduction or other use of the drawing or any of its contents is permitted without consent of DesignTech Residential Planners, Inc.