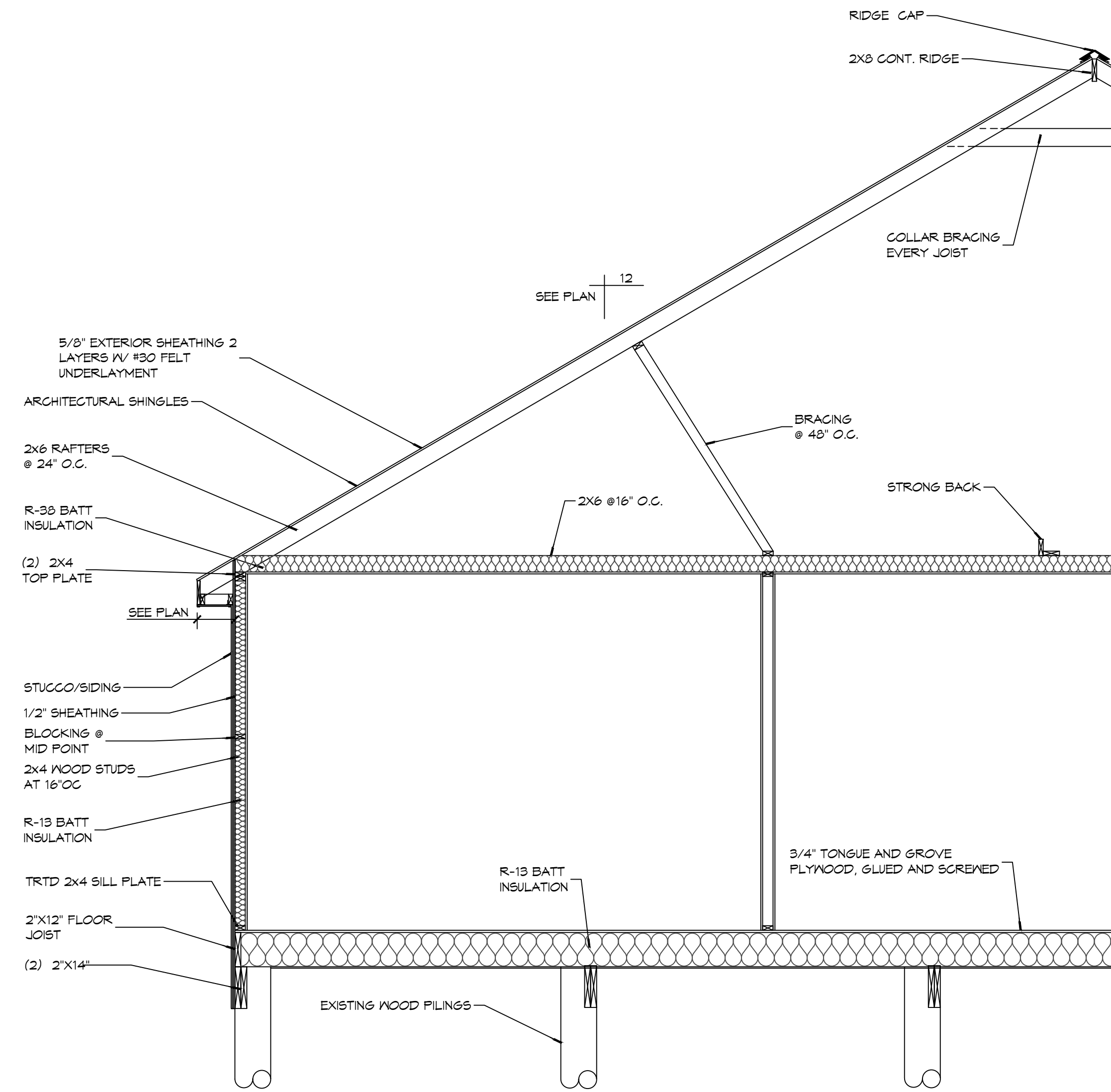
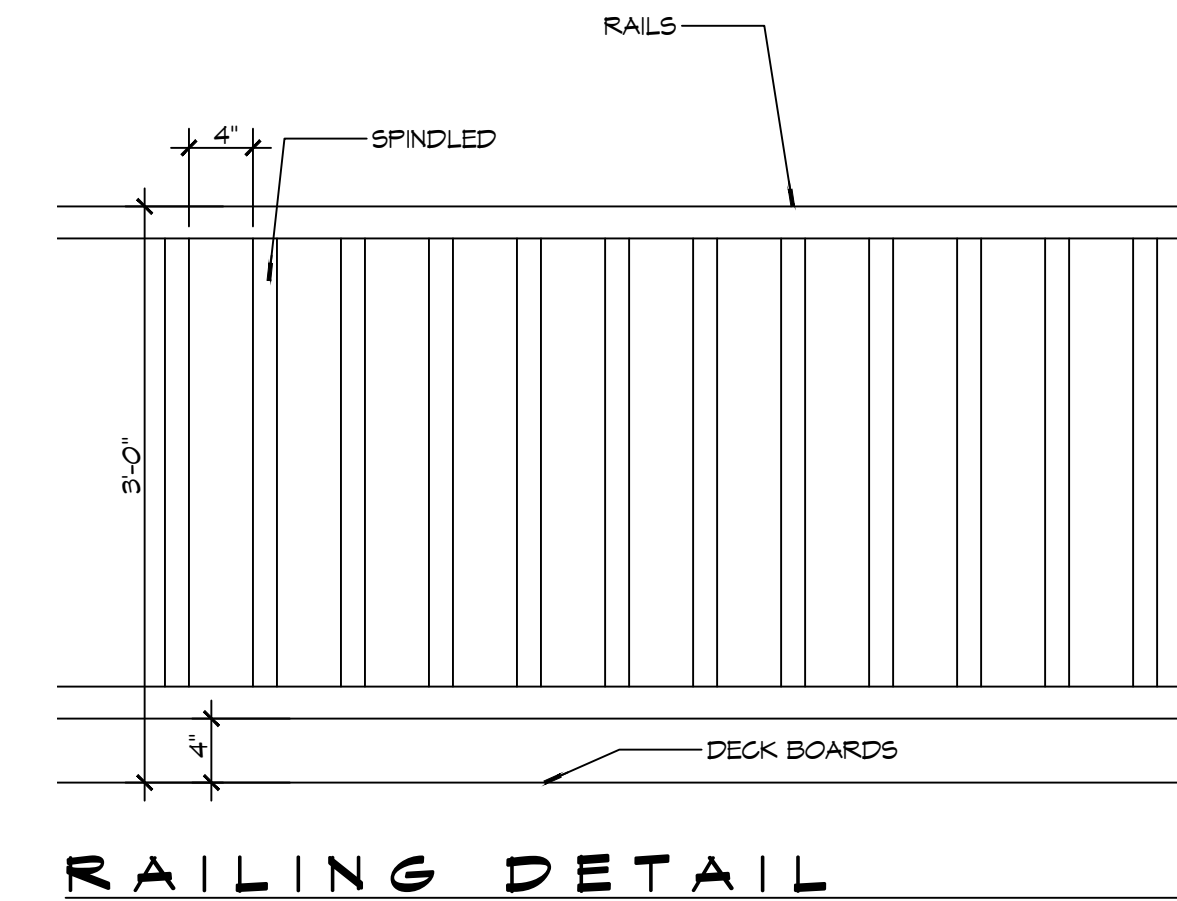


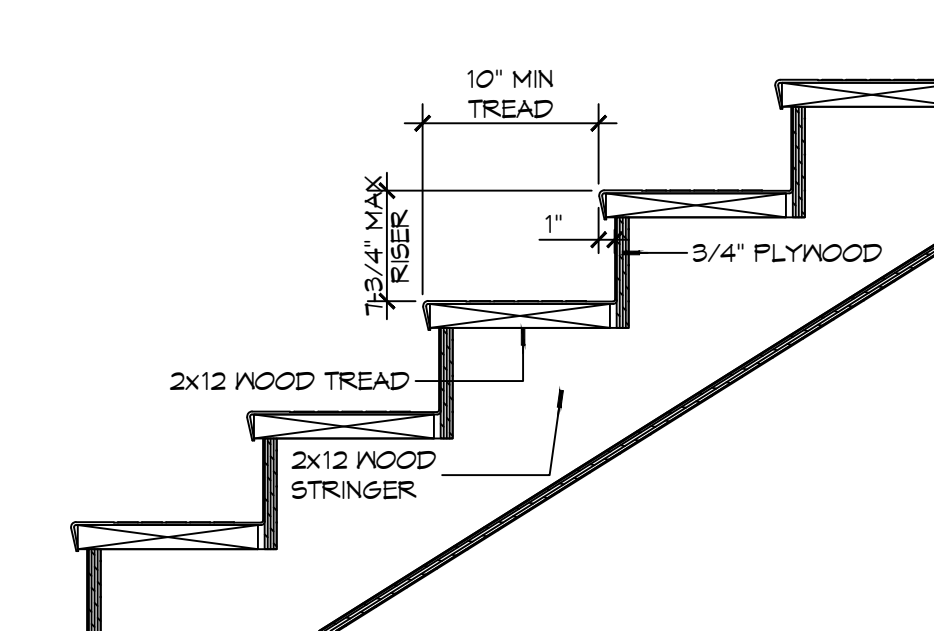
FILE NAME: A:\Projects\2024\08\24\2024_08_24_1030.dwg
 PLOT DATE: 08/24/2024 10:30:00 AM
 PLOT BY: JMS



TYPICAL PARTIAL SECTION
 SCALE: 3/8" = 1'-0" BUILDING SECTION



RAILING DETAIL
 SCALE: 1" = 1'-0"



STAIR DETAIL
 SCALE: 1" = 1'-0"

DAMMON
 ENGINEERING, INC.

www.dammonengineering.com
 info@dammonengineering.com
 554 Old Spanish Trail
 Slidell, LA 70588
 PH: 985.649.5832
 Fax: 985.641.5950

| # | DESCRIPTION | DATE |
|---|-------------|------|
| | | |
| | | |
| | | |
| | | |
| | | |
| | | |
| | | |
| | | |
| | | |



UPDATED HOUSE PLAN
TOM CATHEY
 250 LAKEVIEW DRIVE
 SLIDELL, LA 70588
 JOB No: 2024
 DATE: 08-24-2024
 DRAWN BY: JMS
 CHECKED BY: CKD

SHEET TITLE:
 BUILDING SECTION, STAIRS,
 & RAILING DETAILS

DRAWING NUMBER:

S103