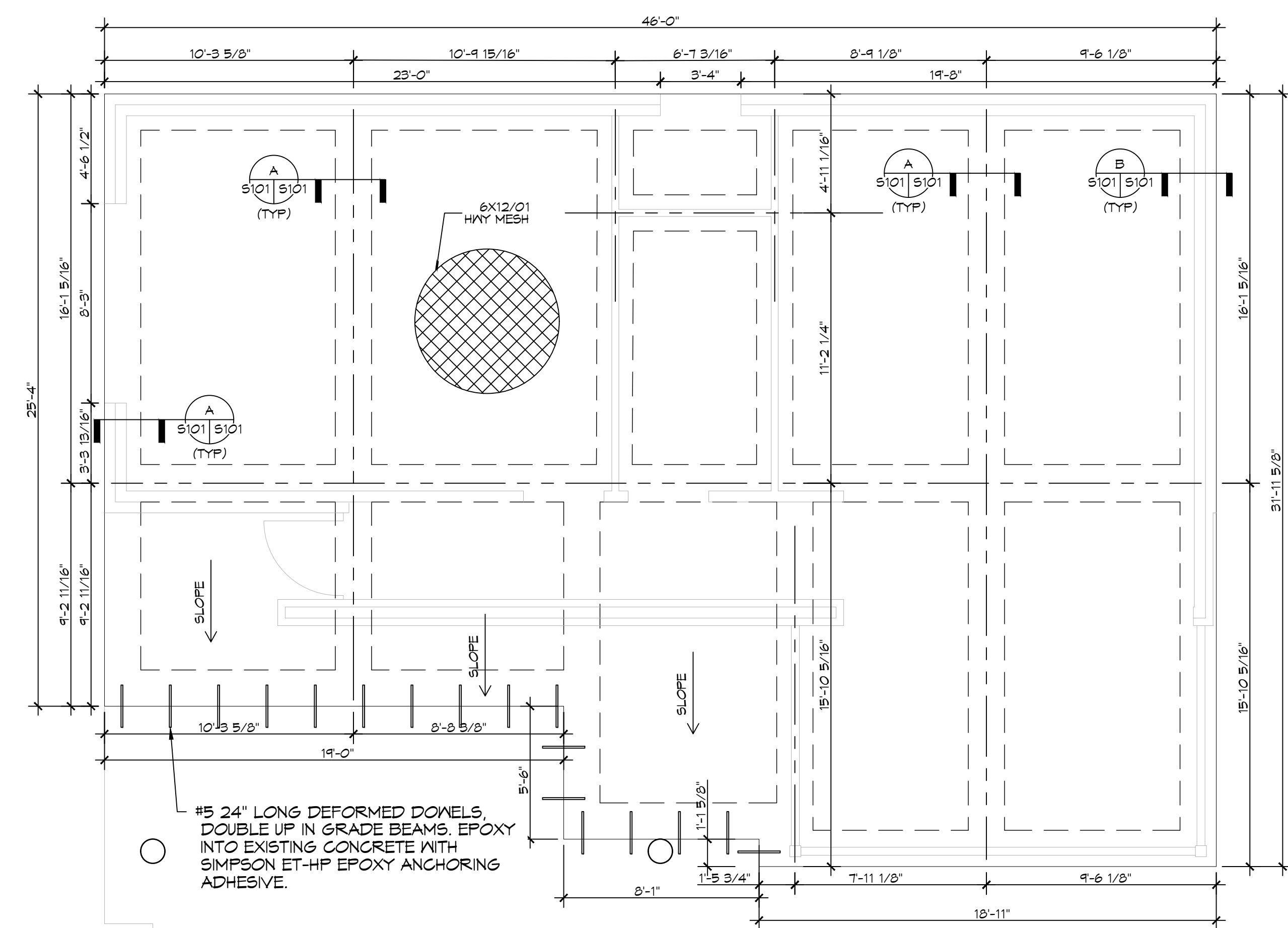
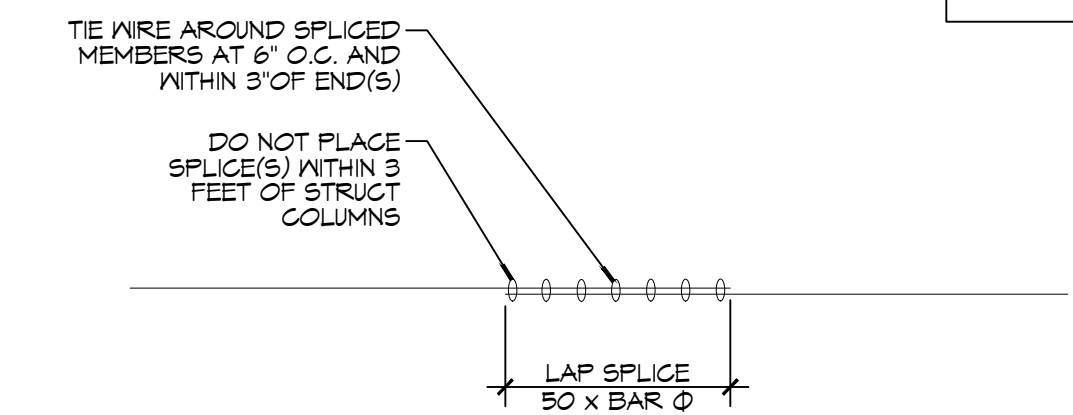


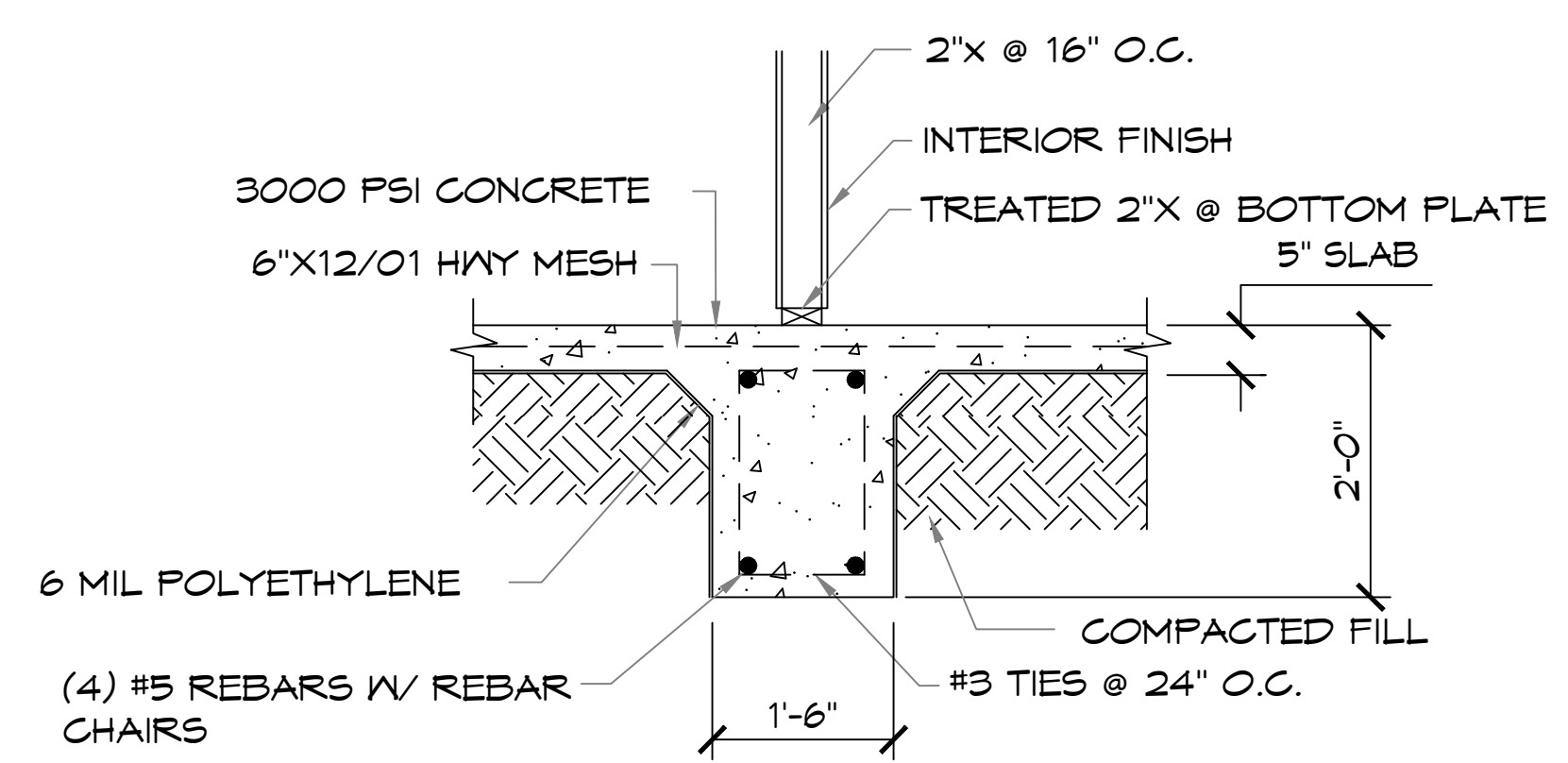
FILE NAME: A:\Projects\02-16-2023\02-16-2023_111017.dwg
 PLOT DATE: 02-16-2023 11:10:17 AM
 PLOT SCALE: 1/4" = 1'-0"
 PLOT SIZE: 36" x 48"



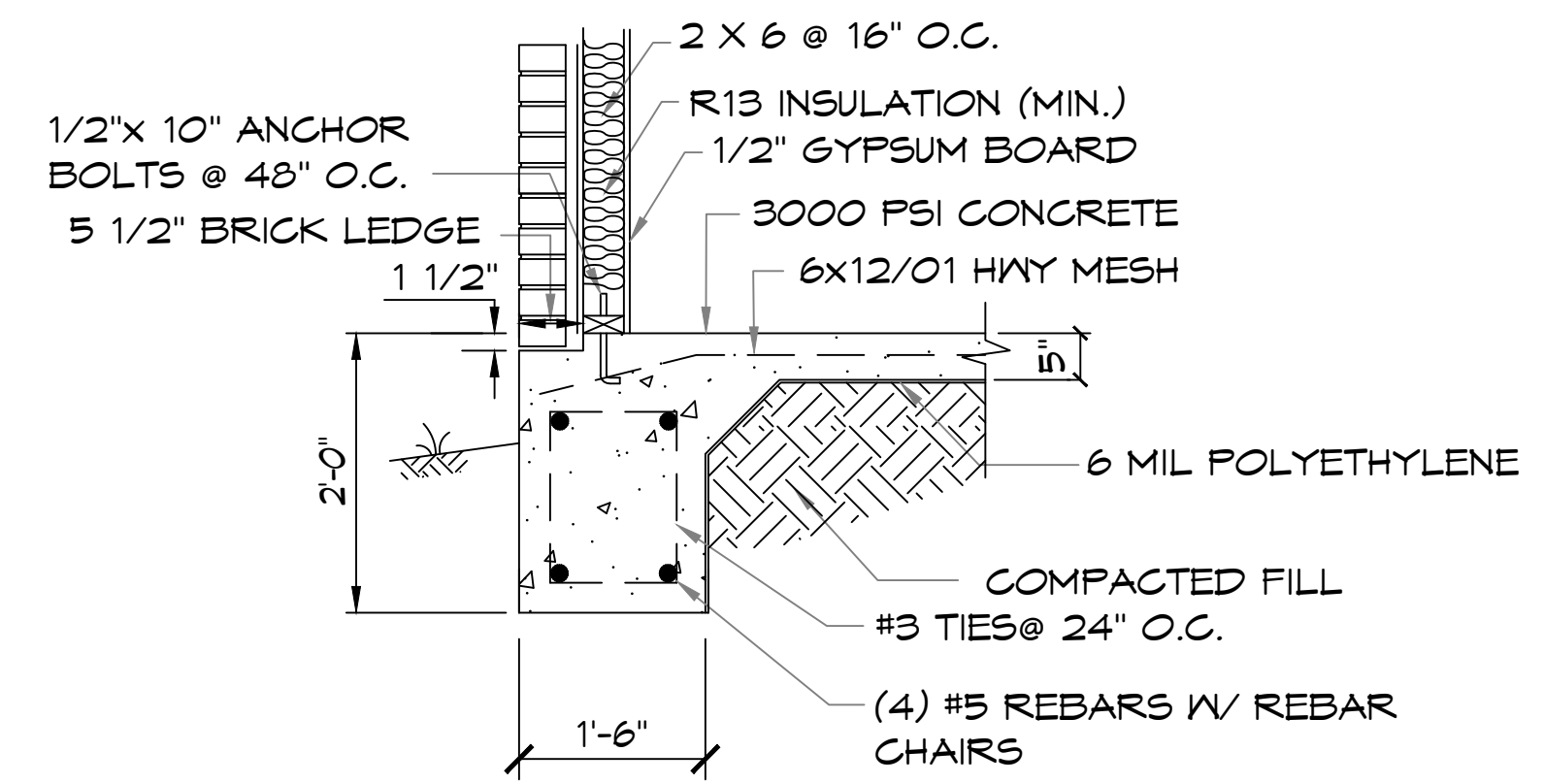
FOUNDATION PLAN
SCALE: 1/4" = 1'-0"



FOUNDATION DETAIL
SCALE: 1/2" = 1'-0" TYP SPLICE DETAIL



A FOUNDATION SECTION
SCALE: 3/8" = 1'-0" INTERIOR GRADE BEAM



B FOUNDATION SECTION
SCALE: 3/8" = 1'-0" EXTERIOR GRADE BEAM

GENERAL FOUNDATION NOTES

1. THE CONCRETE MIX SHALL HAVE A MINIMUM COMPRESSIVE STRENGTH OF 3000 PSI AT 28 DAYS. CONCRETE MIX SHALL BE IN ACCORDANCE WITH ACI-318.
2. ALL CONVENTIONAL REINFORCING SHALL MEET ASTM-A615 (GRADE 60).
3. ALL REINFORCING STEEL AND MESH SHALL BE SECURELY SUPPORTED TO PREVENT BOTH VERTICAL AND HORIZONTAL MOVEMENT DURING CONCRETE PLACEMENT.
4. THE CONTRACTOR SHALL VERIFY ALL DROPS, OFFSETS, CHU LEDGES, DIMENSIONS, AND CONFIGURATIONS. CONTRACTOR MUST BE RESPONSIBLE FOR SAME.
5. GRADE BEAM SIZES MAY VARY BY -5% TO +20%.
6. ALL SUBGRADE FILL SHALL BE SELECT GRANULAR MATERIAL COMPACTED TO 95% STANDARD PROCTOR DENSITY IN A MAXIMUM OF 6' LIFTS.
7. A MINIMUM OF 5' CONCRETE THICKNESS SHALL BE MAINTAINED THROUGHOUT THE SLAB.
8. ALL RUNOFF WATER MUST BE CARRIED AWAY FROM THE SLAB TO PREVENT SATURATION OF THE SUB-BASE.
9. ALL TREES WITHIN CLOSE PROXIMITY SHALL BE REMOVED TO PREVENT THE ROOTS FROM EXTENDING UNDER THE SLAB.
10. PROVIDE AND MAINTAIN IMMEDIATE SITE DRAINAGE BEFORE, DURING, AND AFTER CONSTRUCTION. PROVIDE GRADING, SWELLS, AND SUMP PUMPS AS MAY BE REQUIRED TO IMMEDIATELY DRAIN ALL RAINWATER FROM THE CONSTRUCTION AREA. FOOTING EXCAVATIONS SHOULD BE OBSERVED AND CONCRETE TO BE PLACED AS QUICKLY AS POSSIBLE TO AVOID EXPOSURE OF THE FOOTING BOTTOMS TO WETTING AND DRYING. SURFACE RUNOFF WATER SHOULD BE DRAINED AWAY FROM THE EXCAVATIONS AND NOT BE ALLOWED TO POND PRIOR TO OR AFTER CONCRETE PLACEMENT. IF IT IS REQUIRED THAT A FOOTING EXCAVATION BE LEFT OPEN FOR MORE THAN ONE DAY, IT SHOULD BE PROTECTED TO REDUCE EVAPORATION OR ENTRY OF MOISTURE.

DAMMON ENGINEERING, INC.
LOUISIANA & MISSISSIPPI

Chief Engineer: Brian A. Mistich, PE
554 Old Spanish Trail
Slidell, LA 70468
www.dammonengineering.com
info@dammonengineering.com
PH: 985.649.3532

#	DESCRIPTION	DATE

SEAL: **BRIAN A. MISTICH**
LICENSED PROFESSIONAL ENGINEER
STATE OF MISSISSIPPI
C2-16-2023
20971

NEW POOL CABANA LAYOUT
TROY LIRETTE
19424 DENISE RD
VANGLEAVE MS, 39665
JOB No: 2022 DATE: 02-16-2023
DRAWN BY: CKD CHECKED BY: BAW

SHEET TITLE:
FOUNDATION DESIGN

DRAWING NUMBER:
S101

SHEET No: 1 of 1