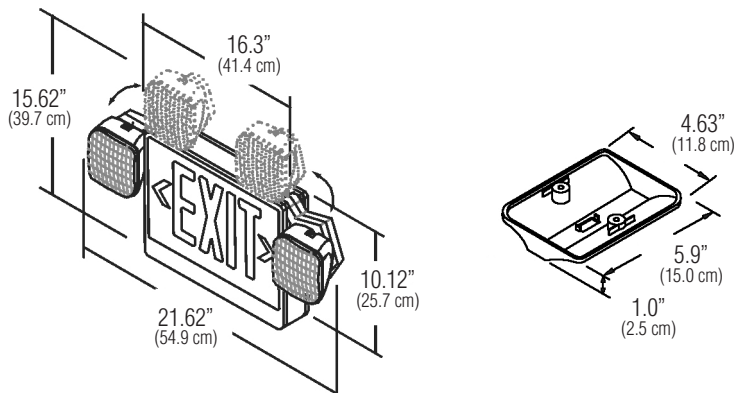




The LLC Series Thermoplastic Combination Emergency Exit is a compact sign that is suitable for wall or ceiling mounting. Integral, adjustable lamps provide efficient emergency lighting, while the LED exit face provides even, highly visible illumination and direction toward egress areas.



Complete Fixture consists of base exit sign.

How to Specify:

LLC2			
SERIES	FACES	LETTER COLOR	STENCIL FACE/ HOUSING COLOR
LLC2 = LLC Series II Combo Emergency Exit	U = Universal	R = Red G = Green	W = White B = Black

Features

- 1. Illumination:** Emergency illumination is provided by two fully adjustable glare-free square shape lamp heads. The standard lamp reflector system incorporates a high intensity 5.4W, T-5 wedge base tungsten lamp. Illumination of the exit face is accomplished with long lasting, high output Light Emitting Diodes (LEDs). LEDs and support electronics have an expected life of 25 years. Powers additional remote heads (up to 6V 12W) with additional battery option (catalog #: 12R).
- 2. Housing:** Constructed of impact resistant, UL 94 V-0, 5 VA white or black thermoplastic. NFPA-type field selectable chevrons can be installed/removed from outside the exit housing. Innovative, snap-together housing design allows for fast installation. Can be wall or ceiling mounted. Housing snaps to canopy with simple twist and locking tightly secure housing to canopy.
- 3. Electronics:** 120/277 VAC dual voltage input with surge-protected, solid-state circuitry. Charging system is complete with low voltage disconnect, AC lockout, brownout protection, AC indicator lamp and test switch.
- 4. Battery:** Maintenance free, sealed lead calcium battery has an estimated service life of 5 years, and an operating temperature range of 65°F (19°C) to 85°F (30°C).
- 5. Input Power Requirements:** Normal Operation - 3.8W, Emergency Operation - 15W

Code Compliance

UL 924 listed for damp locations

Warranty

Three year full electronics warranty
One year full plus four year pro-rated lead calcium battery warranty

Options

SD = Self-Diagnostics
12R = 12W Remote Capability*

* For Remote Lamp Heads see RH specification sheet

Job Information	Type:
Job Name:	
Cat. No.:	
Lamp(s):	
Notes:	

Lightolier a Genlyte Thomas Company www.lightolier.com
631 Airport Road, Fall River, MA 02720 • (508) 679-8131 • Fax (508) 674-4710
We reserve the right to change details of design, materials and finish.
© 2003 Genlyte Thomas Group LLC (Lightolier Division) • A0304

LIGHTOLIER®