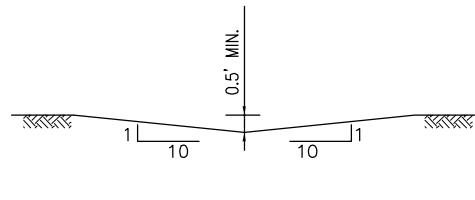
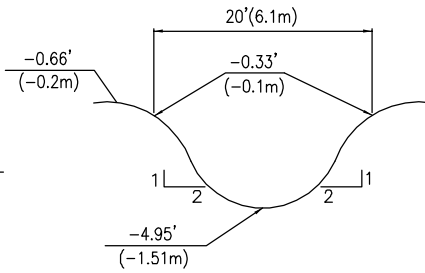


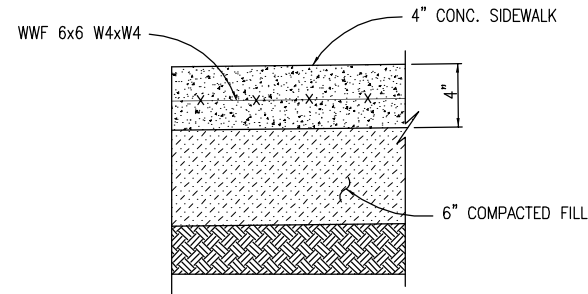
**NEW ASPHALT SECTION**  
N.T.S.



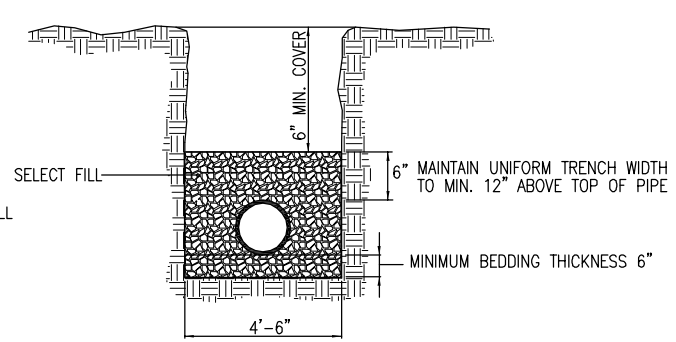
**TYPICAL SWALE SECTION**  
N.T.S.



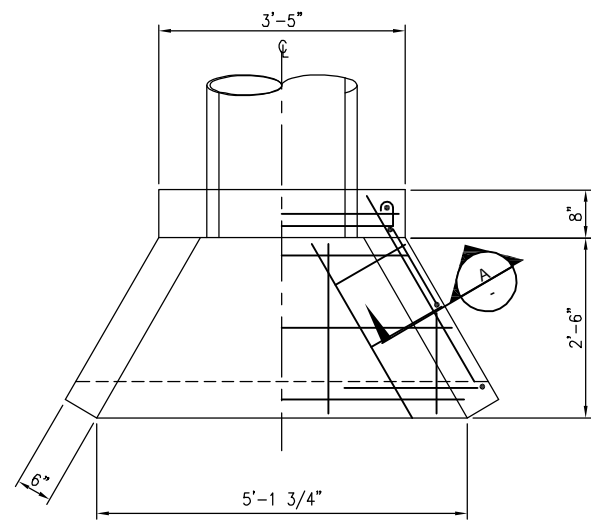
**TYPICAL SECTION @ DITCH**  
N.T.S.



**TYPICAL SIDEWALK SECTION**  
N.T.S.

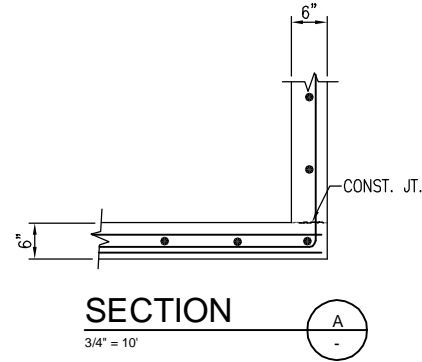


**TYPICAL PIPE BEDDING DETAIL**  
N.T.S.

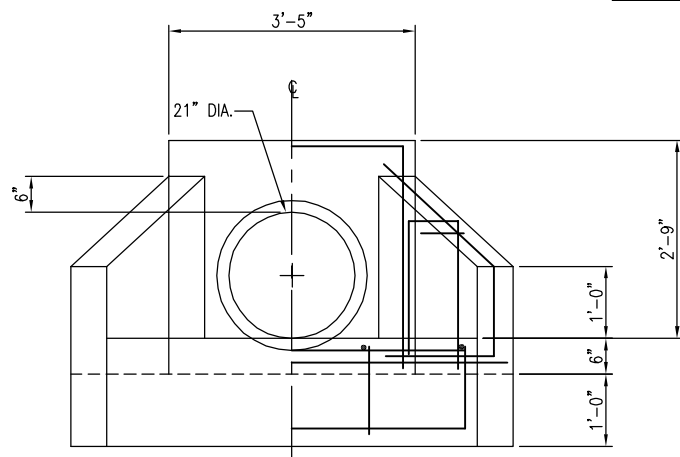


**PLAN**

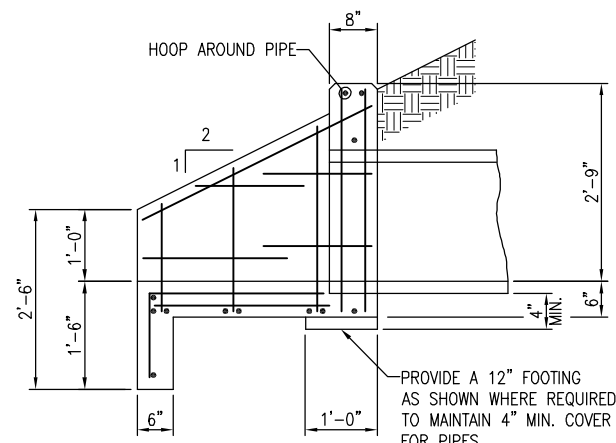
REINFORCEMENT SHALL BE  
#4 BARS @ 12" O.C.E.W.



**SECTION A**



**FRONT ELEVATION**



**SIDE ELEVATION**

**HEADWALL DETAILS FOR 21" CONCRETE CULVERT**

3/4"=1'-0"

ISSUED BY:  
Waldemar S. Nelson & Co.  
**FINAL DESIGN**  
29 /OCT /2009

**WALDEMAR S. NELSON AND COMPANY**  
REGISTERED ENGINEERS AND ARCHITECTS  
1200 ST. CHARLES AVE NEW ORLEANS, LA.

**BROADMOOR**  
BUILDING by DESIGN  
BROADMOOR, L.L.C.  
2740 North Arnoult Road  
Metairie, Louisiana 70002  
www.broadmoorllc.com

| REV. | DESCRIPTION  | DATE     | APPROVAL |
|------|--------------|----------|----------|
| 0    | FINAL DESIGN | 10/29/09 | LN       |

NAV JRB New Orleans  
Belle Chasse, Louisiana  
**NAVAIRSEFAC CALIBRATION BLDG.**  
CIVIL SECTIONS AND DETAILS  
ED FOR COMMANDER, NAVFAC

**NAVFAC**  
Naval Facilities Engineering Command  
Southern Division, Charleston, SC

STATE OF LOUISIANA  
TOMAS J. NALLY  
LICENSE NO. 33459  
PROFESSIONAL ENGINEER  
IN  
CIVIL ENGINEERING

RECORD DRAWING DATE: 4/2/09  
CODE LD. NO.:  
DRAWING SIZE: D  
SPEC. NO. 06  
CONSTR. CONTR. NO.: N62467  
NAVFAC DRAWING NO.: 15030870  
SHEET 4 OF 4