

**DAMMON**  
ENGINEERING, INC.

CHIEF ENGINEER  
EMMETT  
DAMMON, P.E.  
CHIEF ARCHITECT  
ROBERT  
WILTSE

1095 FLORIDA AVENUE  
SLIDELL, LA. 70458  
OFFICE: 985-649-5832  
FAX: 985-641-5950

WEBSITE:  
WWW.DAMMONENGINEERING.COM

EMAIL:  
DAMMONING@BLSOUTH.NET

ARCHITECTURE  
ENGINEERING  
STUDIES  
PLANNING  
INVESTIGATION  
EXPERT WITNESS

STUD WALL  
CALCULATIONS

NAVARSEFAC  
NAS JRB NEW ORLEANS  
BELLE, CHASSE LA  
FOR  
BROADMOOR, LLC

STUD WALL  
DETAILS

REV:

SCALE: AS NOTED

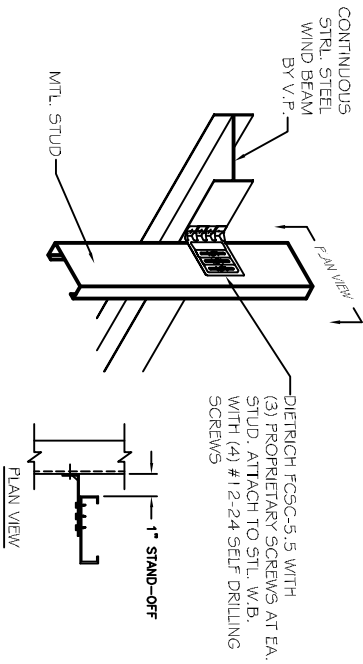
JOB#:

DATE: 03-10-2010

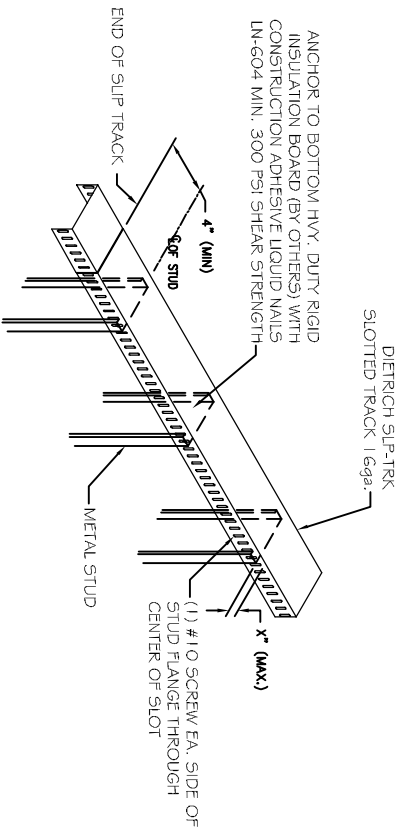
SHEET 3

A-3

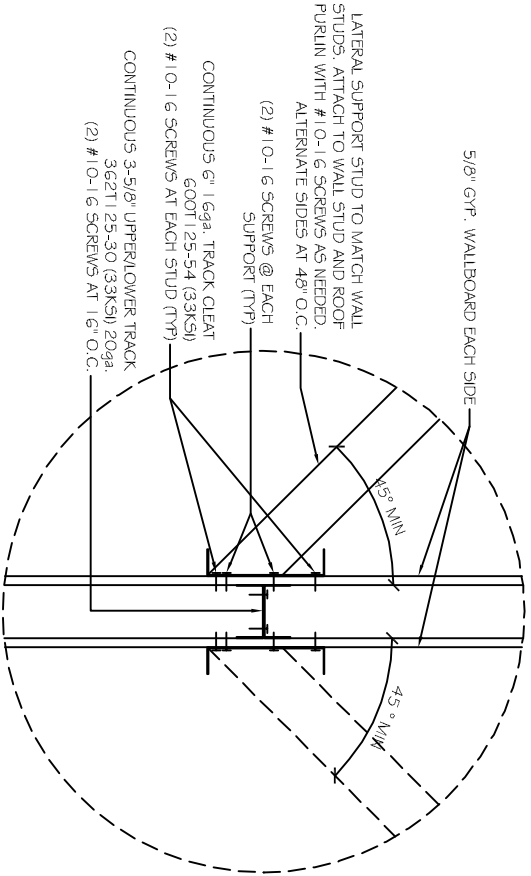
OF 3



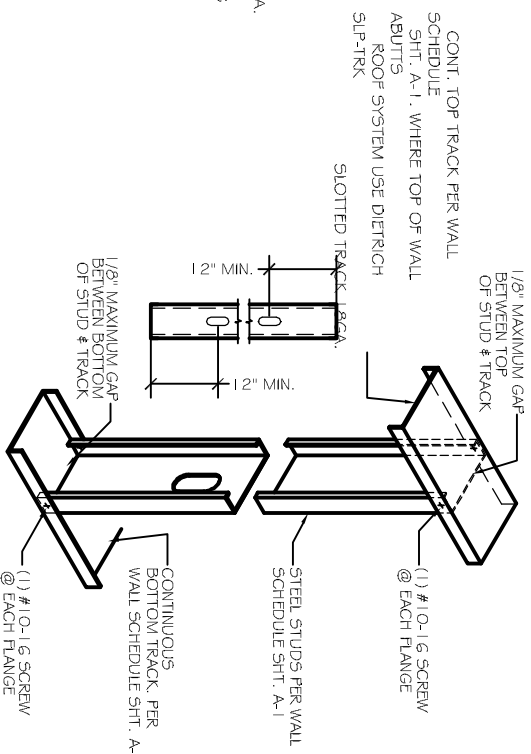
STUD TO WIND BEAM CONNECTION DETAIL  
SCALE: N.T.S.



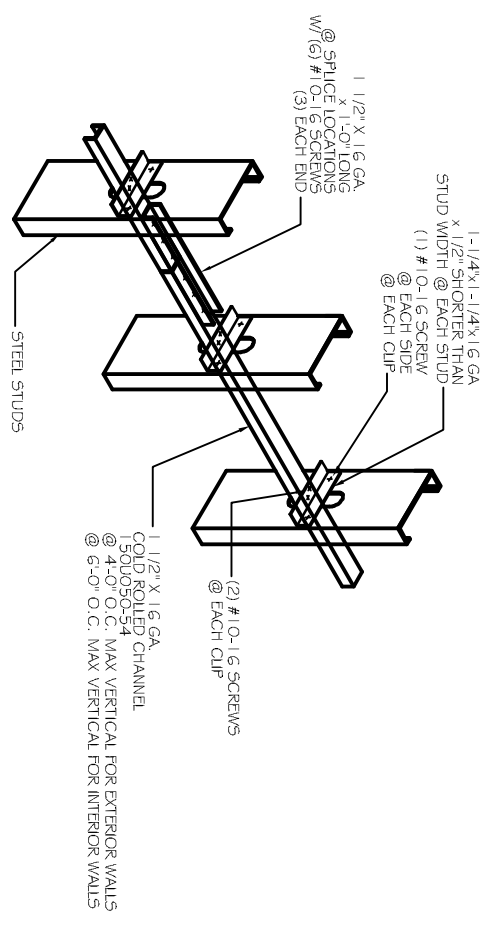
SLOTTED TOP TRACK CONNECTION DETAIL  
SCALE: N.T.S.



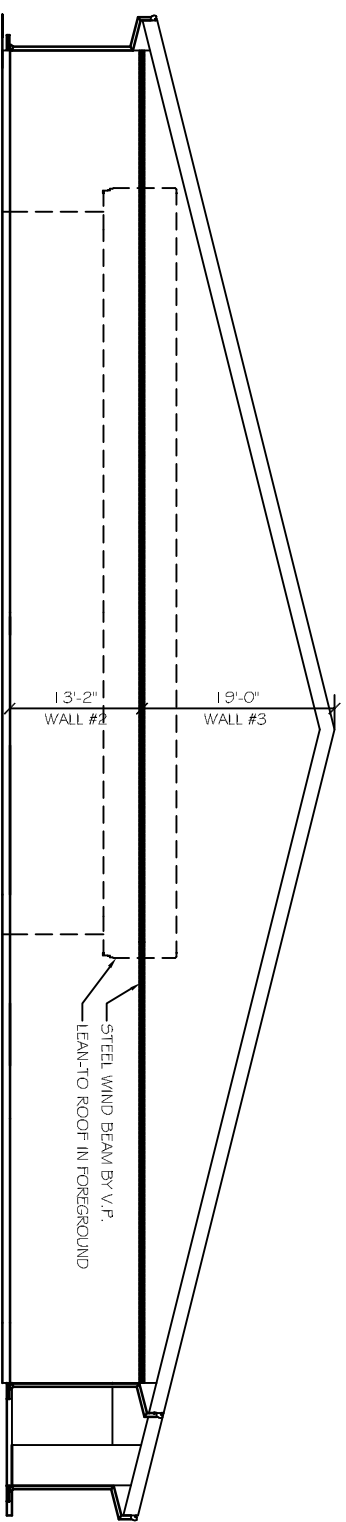
INTERIOR WALL LATERAL SUPPORT DETAIL  
SCALE: N.T.S.



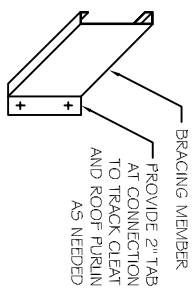
TRACK CONNECTION DETAIL  
SCALE: N.T.S.



HORZ. BRACING DETAIL  
SCALE: N.T.S.



WEST ENDWALL DETAIL  
SCALE: N.T.S.



BRACING MEMBER  
AT CONNECTION  
TO TRACK CLEAR  
AND ROOF FURLIN  
AS NEEDED