

DAMMON ENGINEERING, INC.
 CHIEF ENGINEER
 EMANETT DAMMON, P.E.
 CHIEF ARCHITECT
 ROBERT WILTSE

554 OLD SPANISH TRAIL
 SLIDELL, LA. 70458
 OFFICE: 985-649-5632
 FAX: 985-641-5950

WEBSITE:
 WWW.DAMMONENGINEERING.COM
 EMAIL:
 DAMMONENG@Bellsouth.net

ARCHITECTURE
 ENGINEERING
 STUDIES
 PLANNING
 INVESTIGATION
 EXPERT WITNESSES

TANGIPAHOA
 PARISH
 LANDFILL

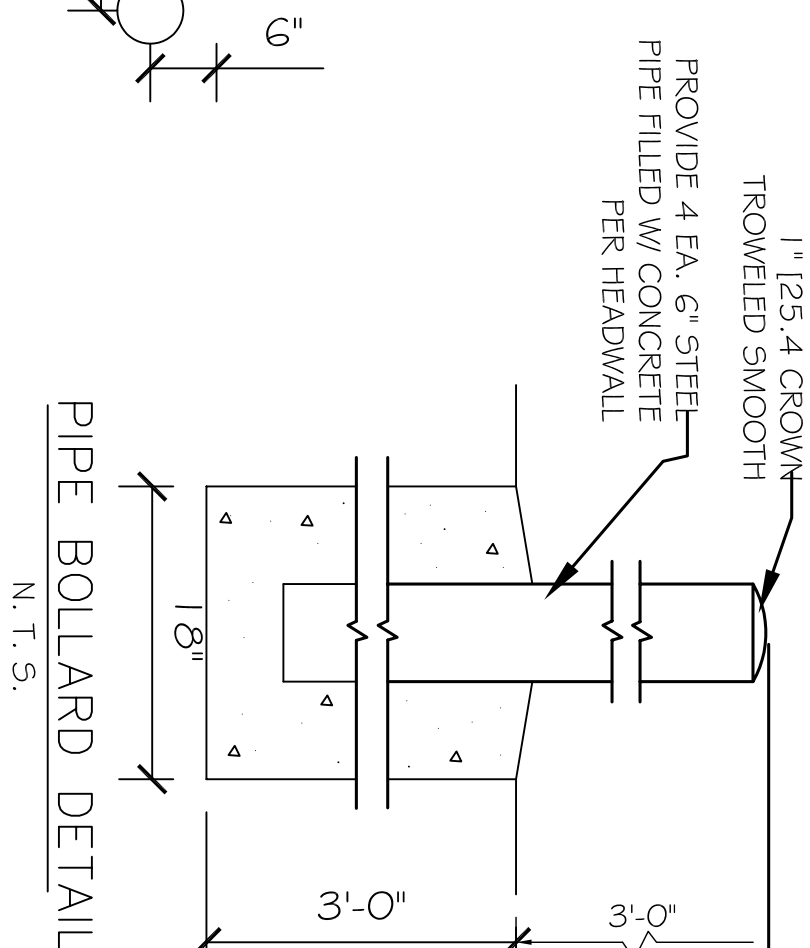
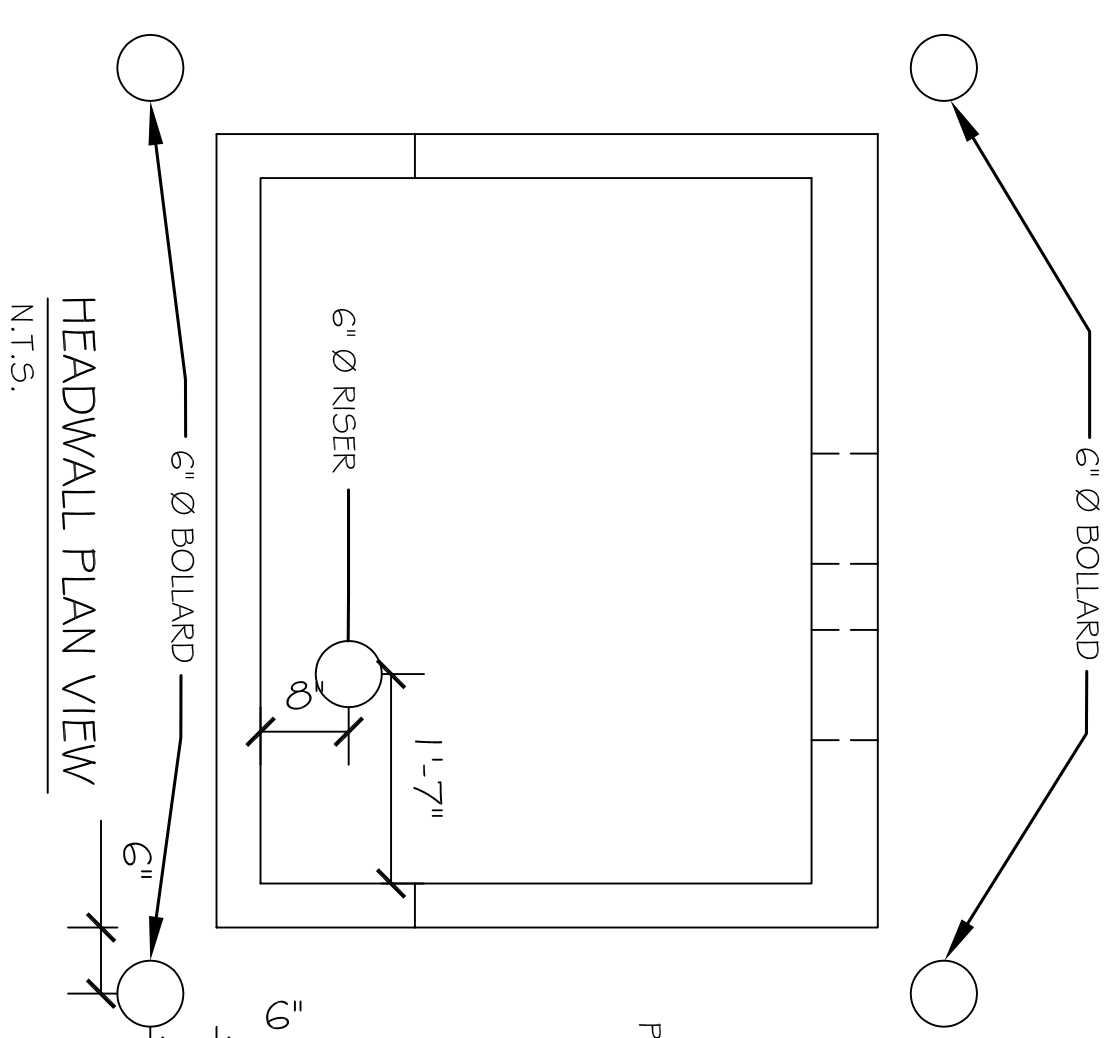
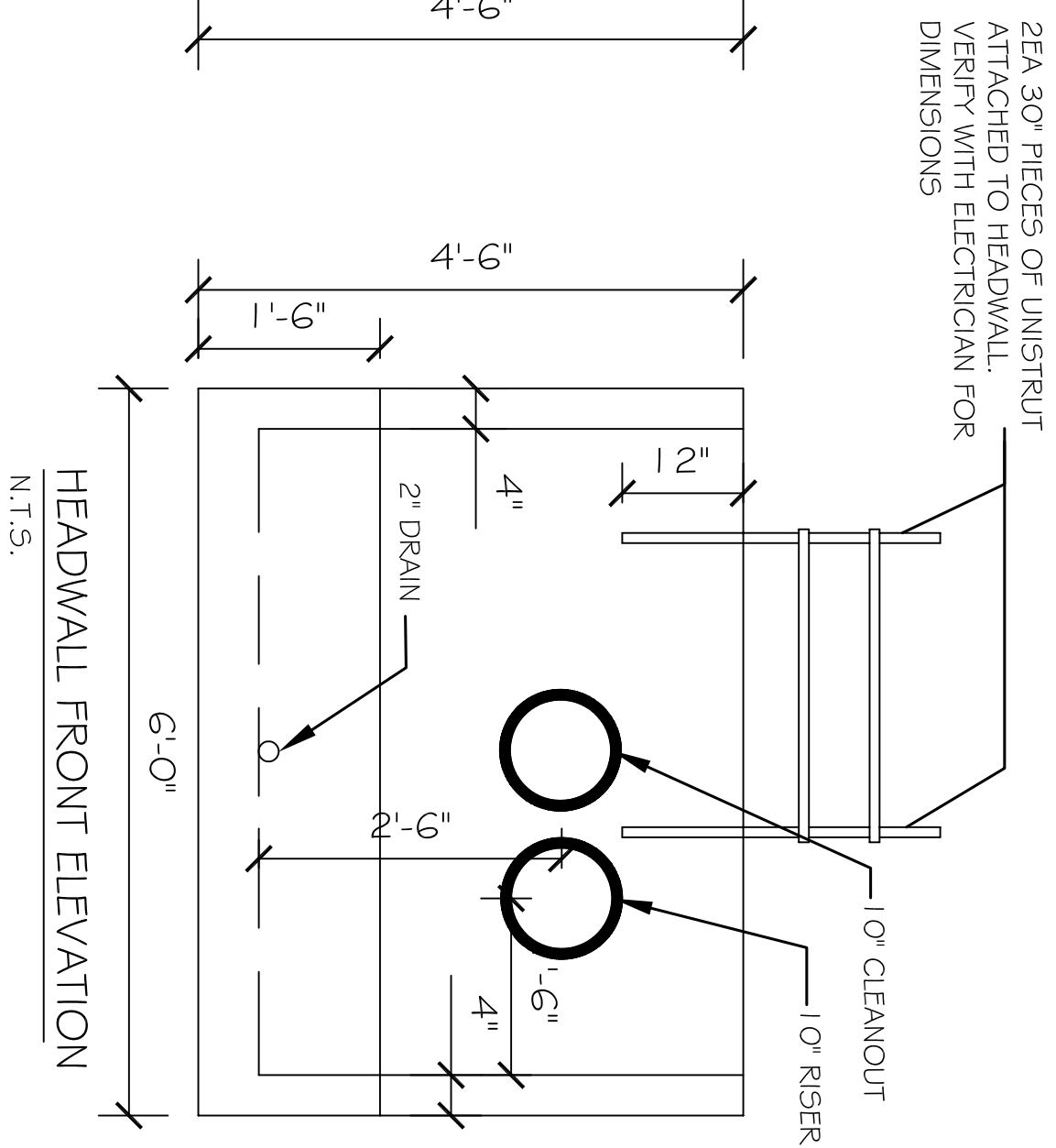
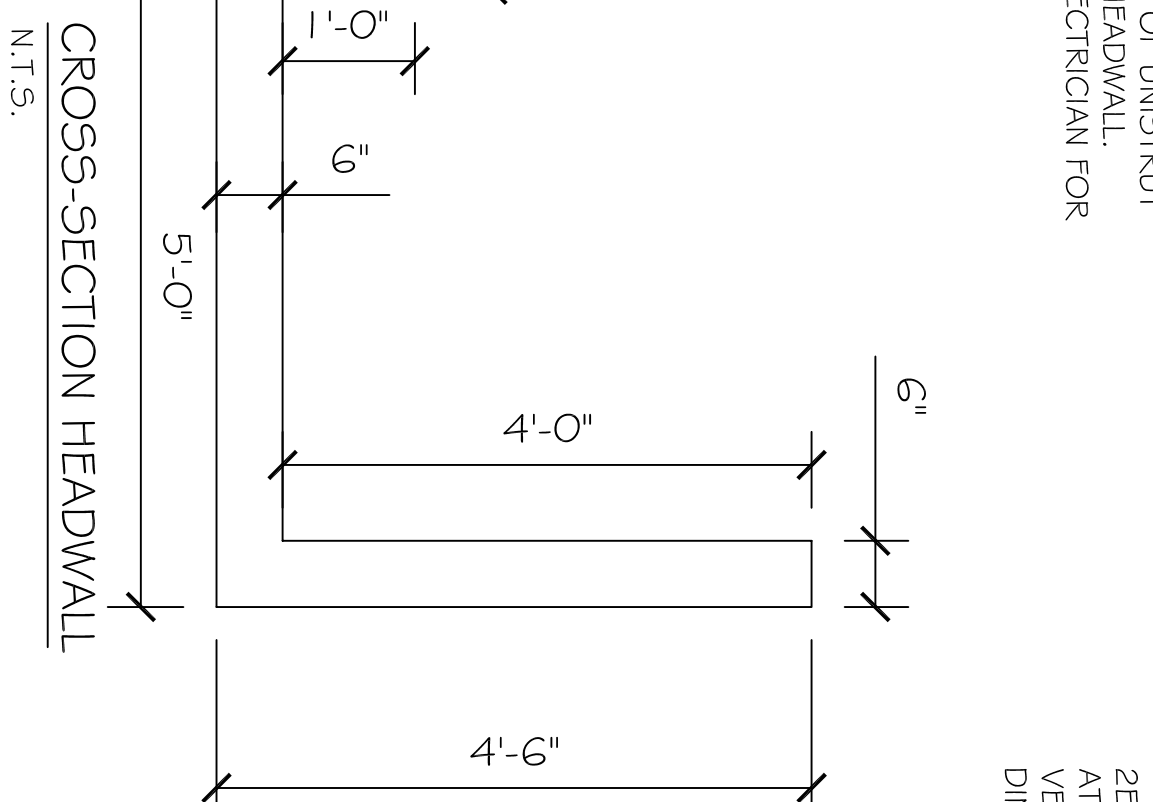
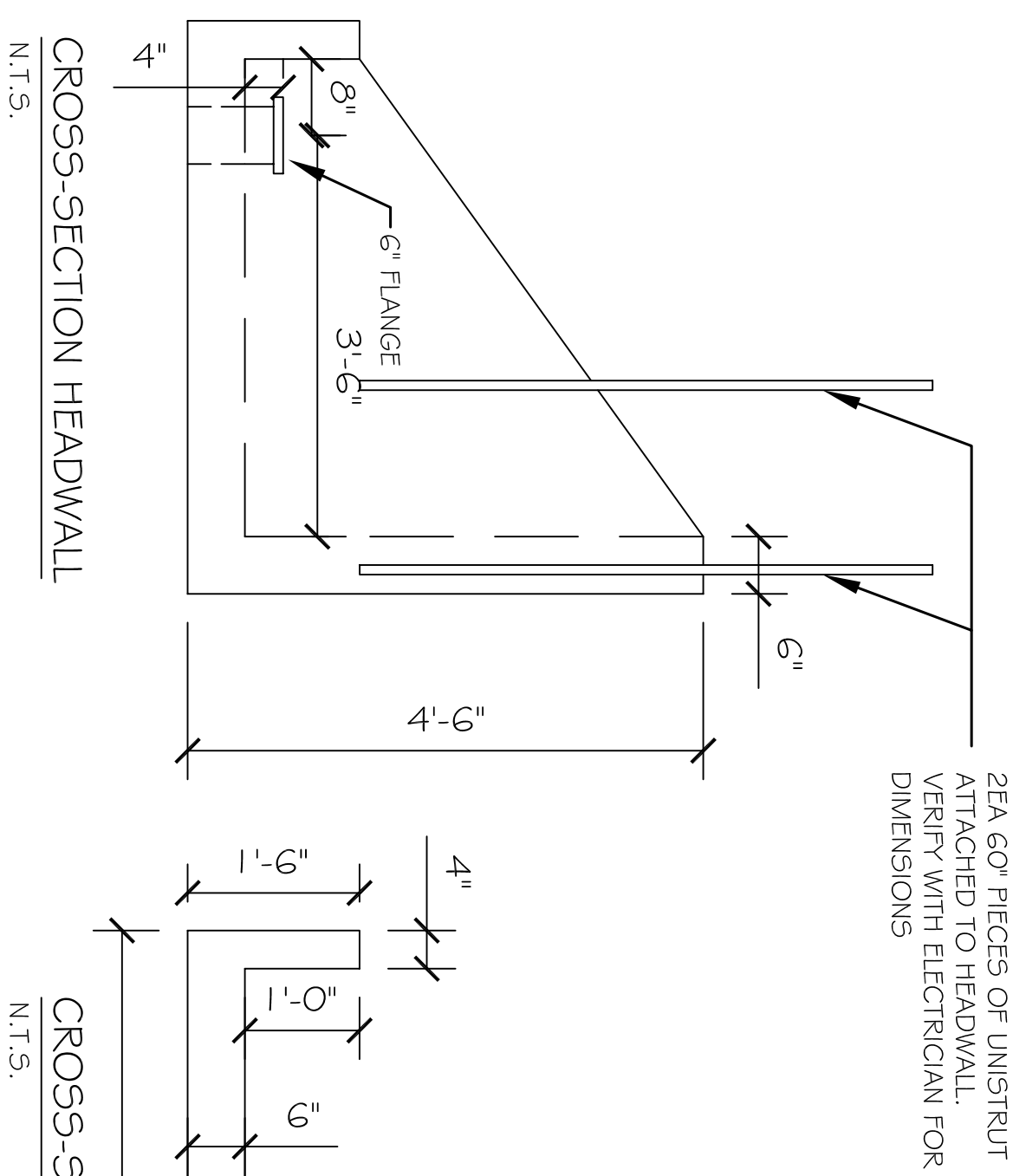
TANGIPAHOA
 CELL 12
 - PHASE II (EAST)
 LEACHATE # FORCE
 MAIN PIPING SYSTEM

DETAIL #1



REV:
 SCALE: AS NOTED
 JOB#: 2138
 DATE: 4/25/2012
 SHEET

M-2



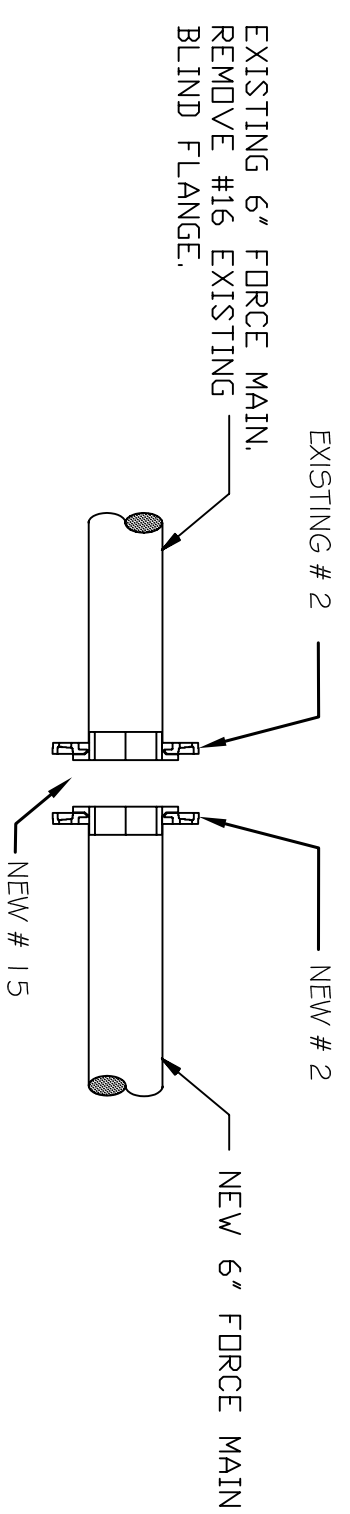
HEADWALL DETAIL
 N.T.S.

HEADWALL NOTE: USE 4,000 PSI CONCRETE, #5 BARS CONTINUOUS 12\"/>

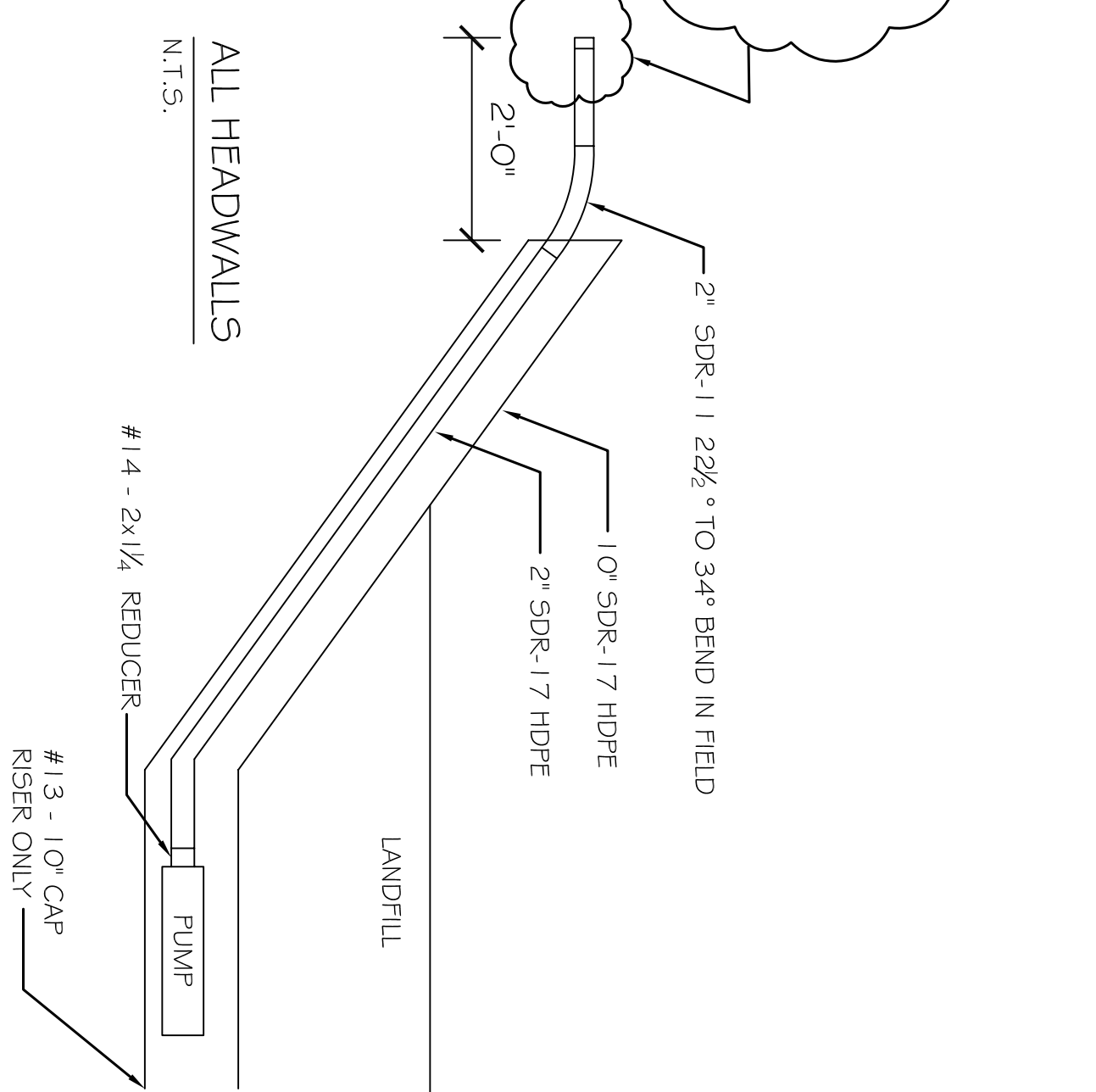
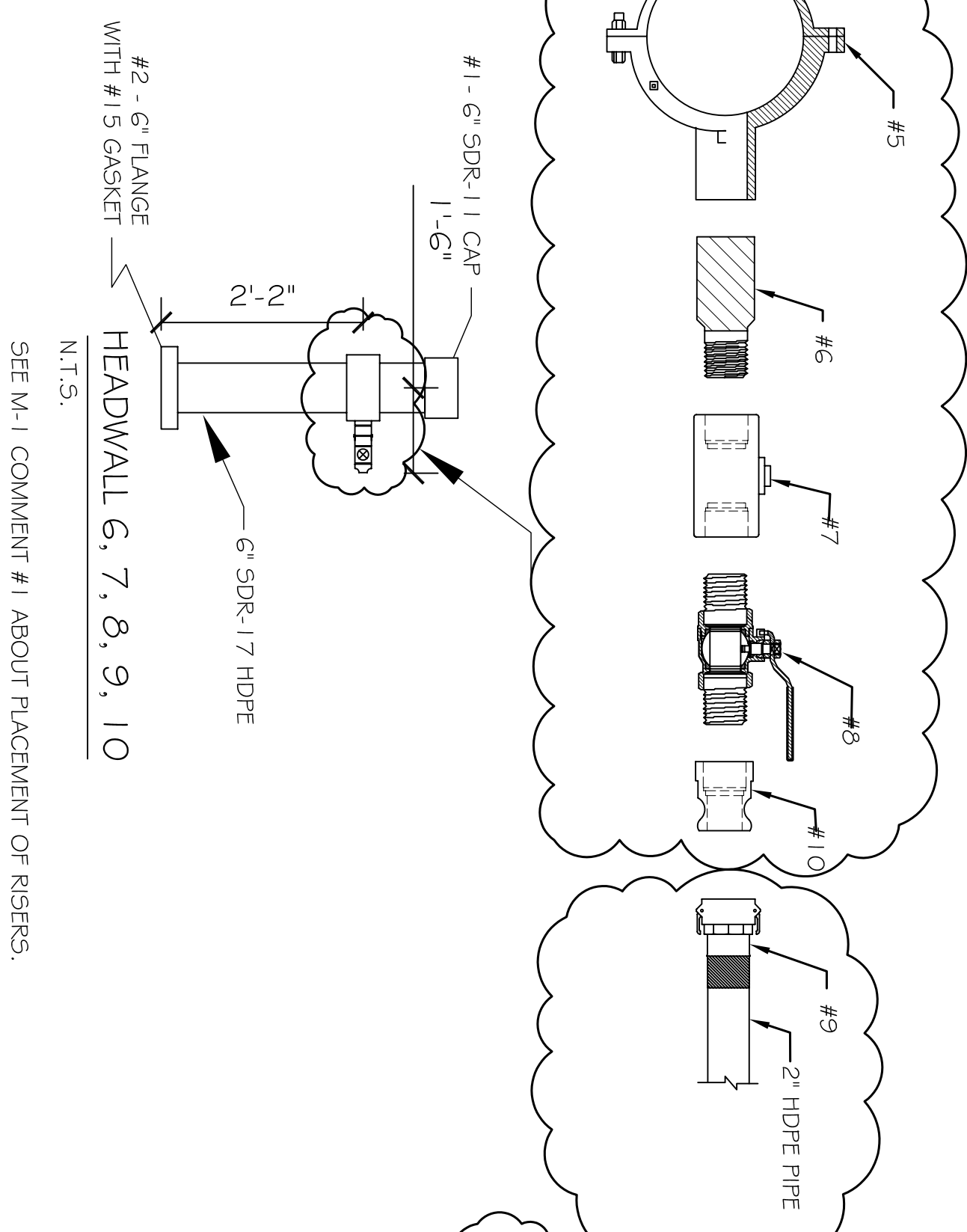
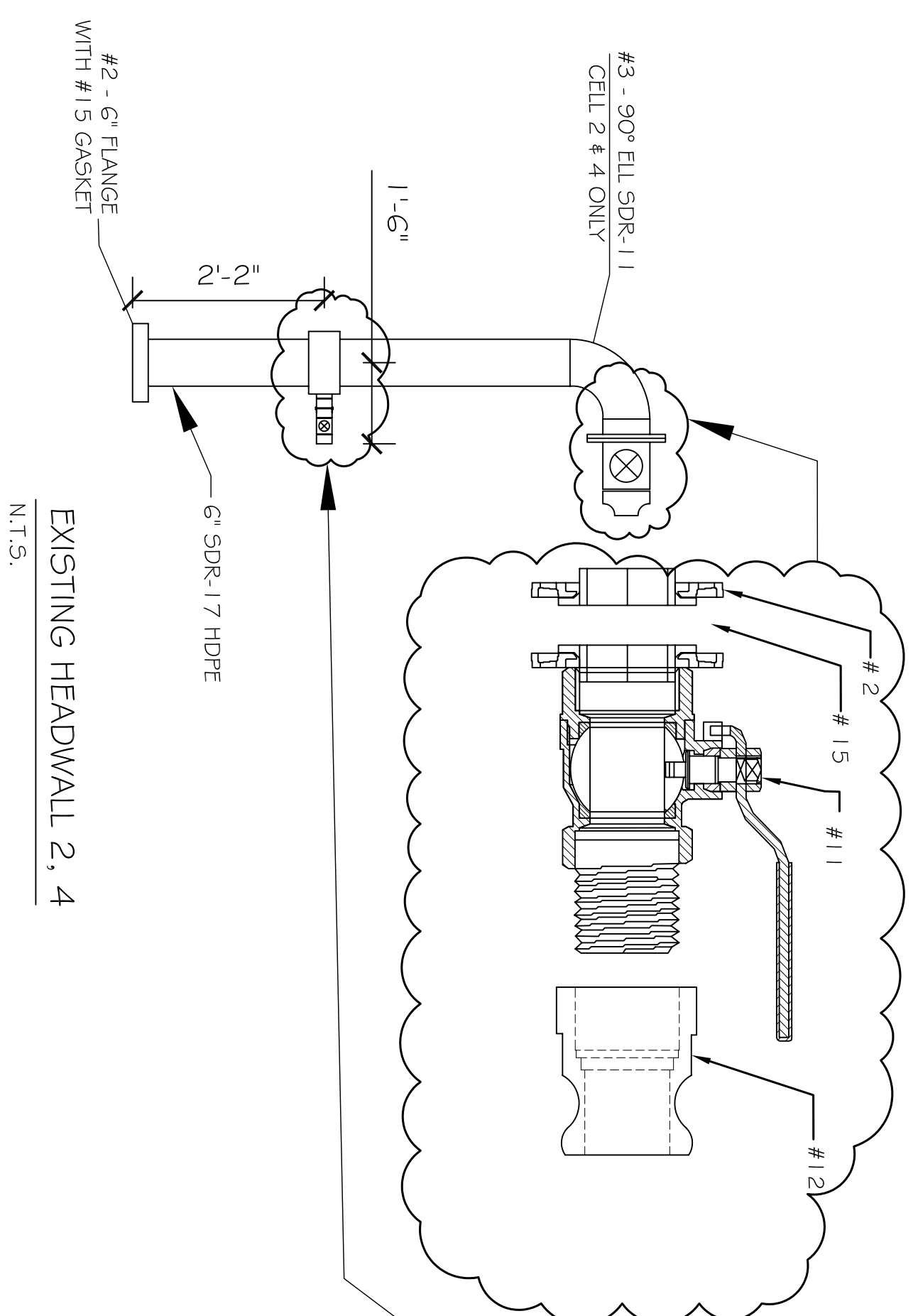
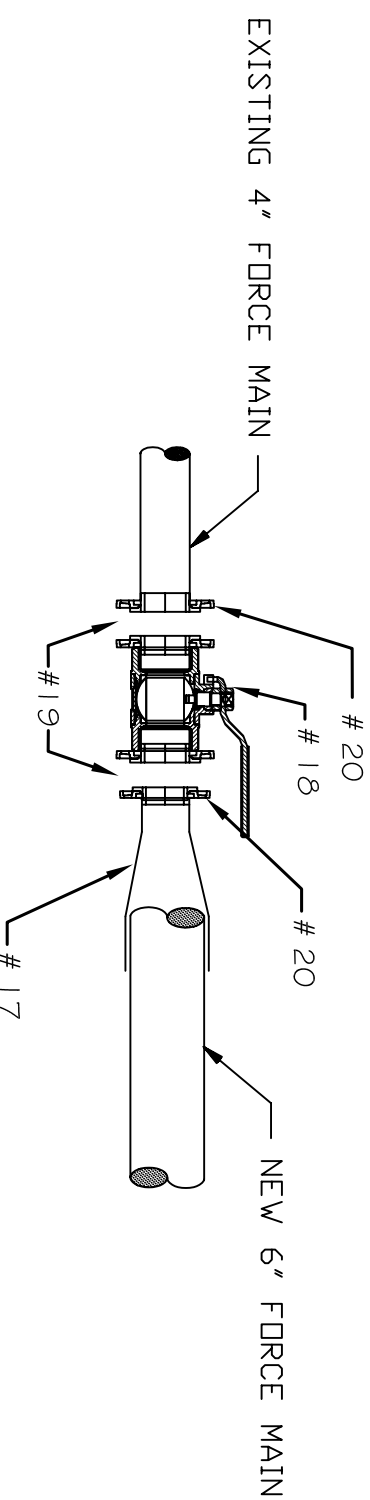
MATERIAL LIST

#	ITEM
1	6" SDR-11 CAP
2	6" SDR-11 FLANGE W/CI RING
3	6" SDR-11 90° ELL
4	6" SDR-11 TE
5	6" X 2" HDPE SADDLE
6	2" POLYCAM TRANSITION HDPE TO STAINLESS
7	2" SWING CHECK VALVE, 316 STAINLESS STEEL, MDL. 4VMU5
8	2" STAINLESS BALL VALVE W/ MALE PIPE THREADS
9	2" STAINLESS CAMLOCK DISCONNECT (FEMALE) W/HDPE CONNECTION
10	2" STAINLESS CAMLOCK DISCONNECT (MALE) W/FEMALE PIPE THREADS
11	6" STAINLESS BALL OR GATE VALVE WITH FLANGE
12	6" CAMLOCK STAINLESS (MALE) W/FEMALE PIPE THREADS
13	10" SDR-11 CAP
14	REDUCER 2" X 1 1/4" STAINLESS
15	6" POLYETHYLENE GASKET
16	6" BLIND FLANGE
17	6" TO 4" SDR-11 MOLDED BUTT REDUCER
18	4" STAINLESS BALL OR GATE VALVE WITH FLANGE
19	4" POLYETHYLENE GASKET
20	4" SDR-11 FLANGE W/CI RING

6" TO 6" HDPE JUNCTION
 N.T.S.



4" TO 6" HDPE JUNCTION
 N.T.S.



EXISTING HEADWALL 2, 4
 N.T.S.

HEADWALL 6, 7, 8, 9, 10
 N.T.S.

ALL HEADWALLS
 N.T.S.

PIPE BOLLARD DETAIL
 N.T.S.