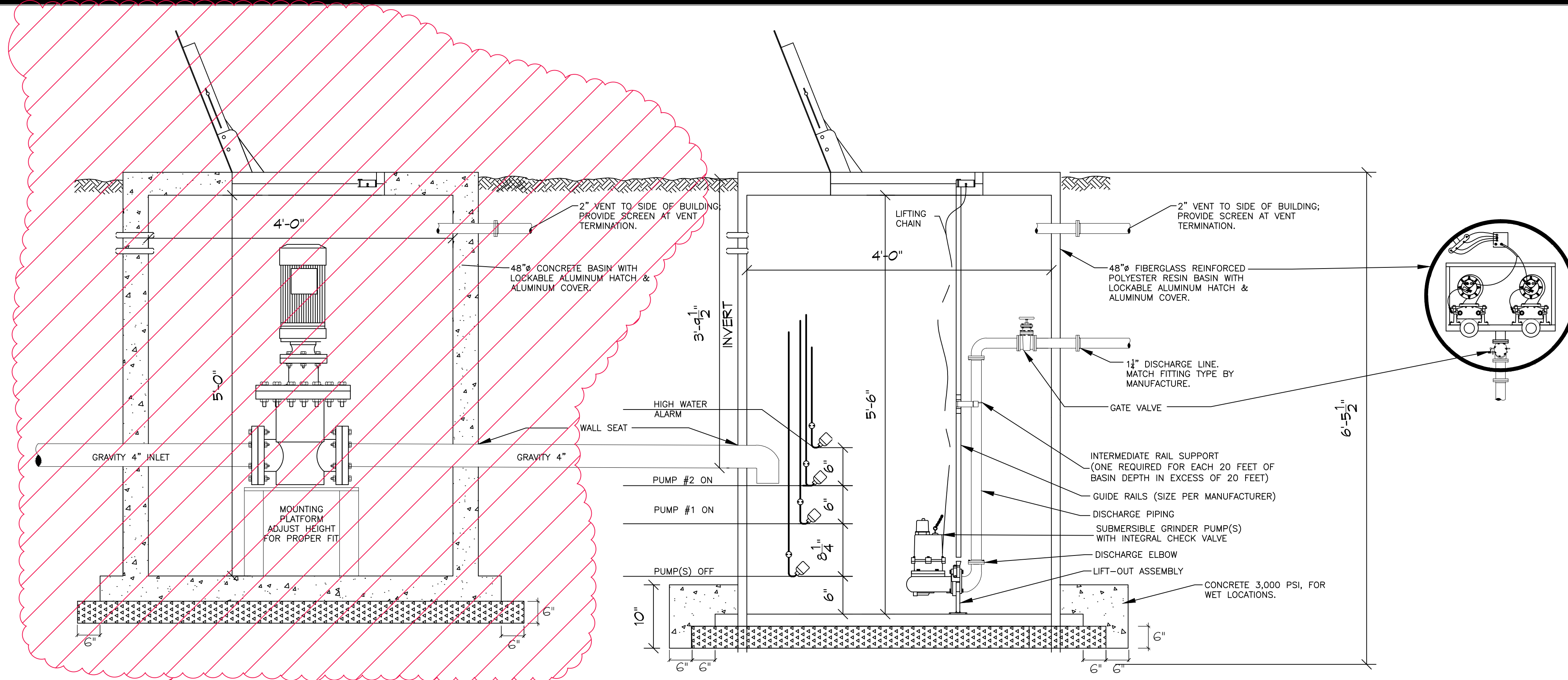


The curves reflect maximum performance characteristics without exceeding full load (Nameplate) horsepower. All pumps have a service factor of 1.2. Operation is recommended in the bounded area with operational point within the curve limit. Performance curves are based on actual tests with clear water at 70° F. and 1280 feet site elevation.

GRINDER PUMP
N.T.S. PENTAIR GRINDER PUMP, HPG200, CURVE C7

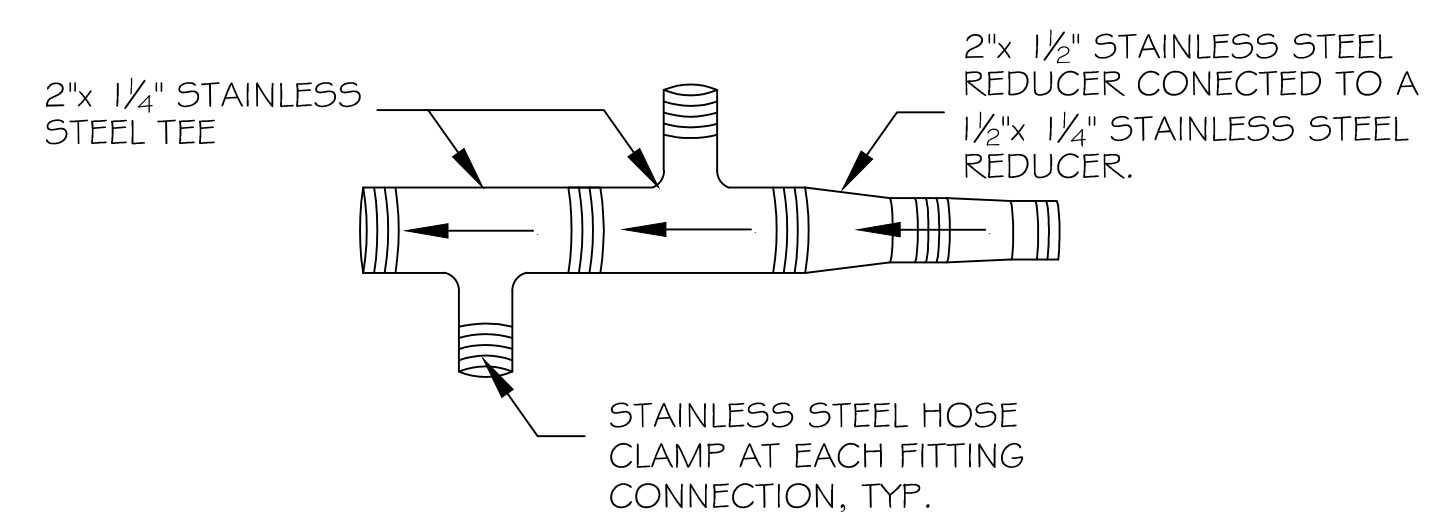


PUMP DATA
DUPLIX GRINDER PUMP
20 GPM @ 9 TDH

GRINDER UNIT FUTURE EXPANSION

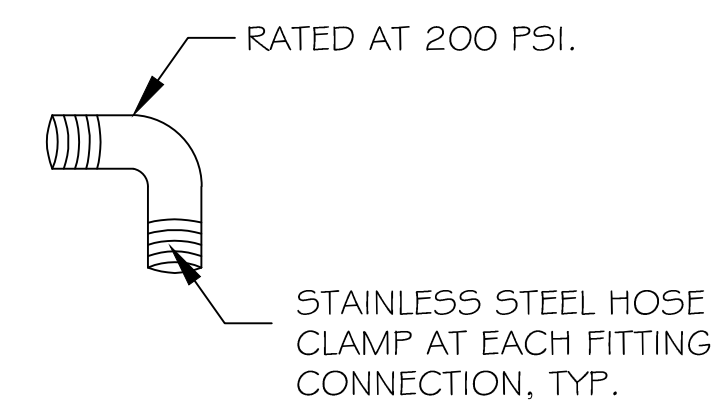
DUPLIX LIFT STATION DETAIL
N.T.S.

4
C7



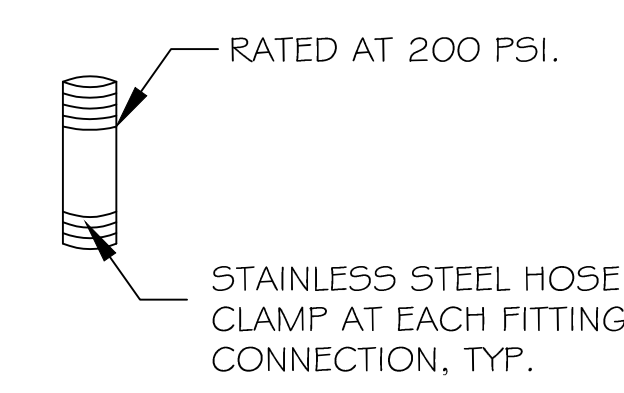
MULIPLE FORCE MAIN CONNECTIONS
N.T.S.

1
C7



FORCE MAIN 1/4\"/>

2
C7



FORCE MAIN 1/4\"/>

3
C7

AS-BUILT

SEAL:

SEWER SYSTEM RENOVATION;
PROJECT NUMBERS: 08-408-11-01 PART 1 & 08-408-04B-01, PART 20 & 01-107-06B-11, PART U7
BRIDGE CITY CENTER FOR YOUTH
3225 RIVER ROAD
BRIDGE CITY, LA 70094
JOB NO: 2156 DATE: 9/28/2018
DRAWN BY: [Signature]

SHEET TITLE:
LIFT STATION DETAILS

DRAWING NUMBER:

C3