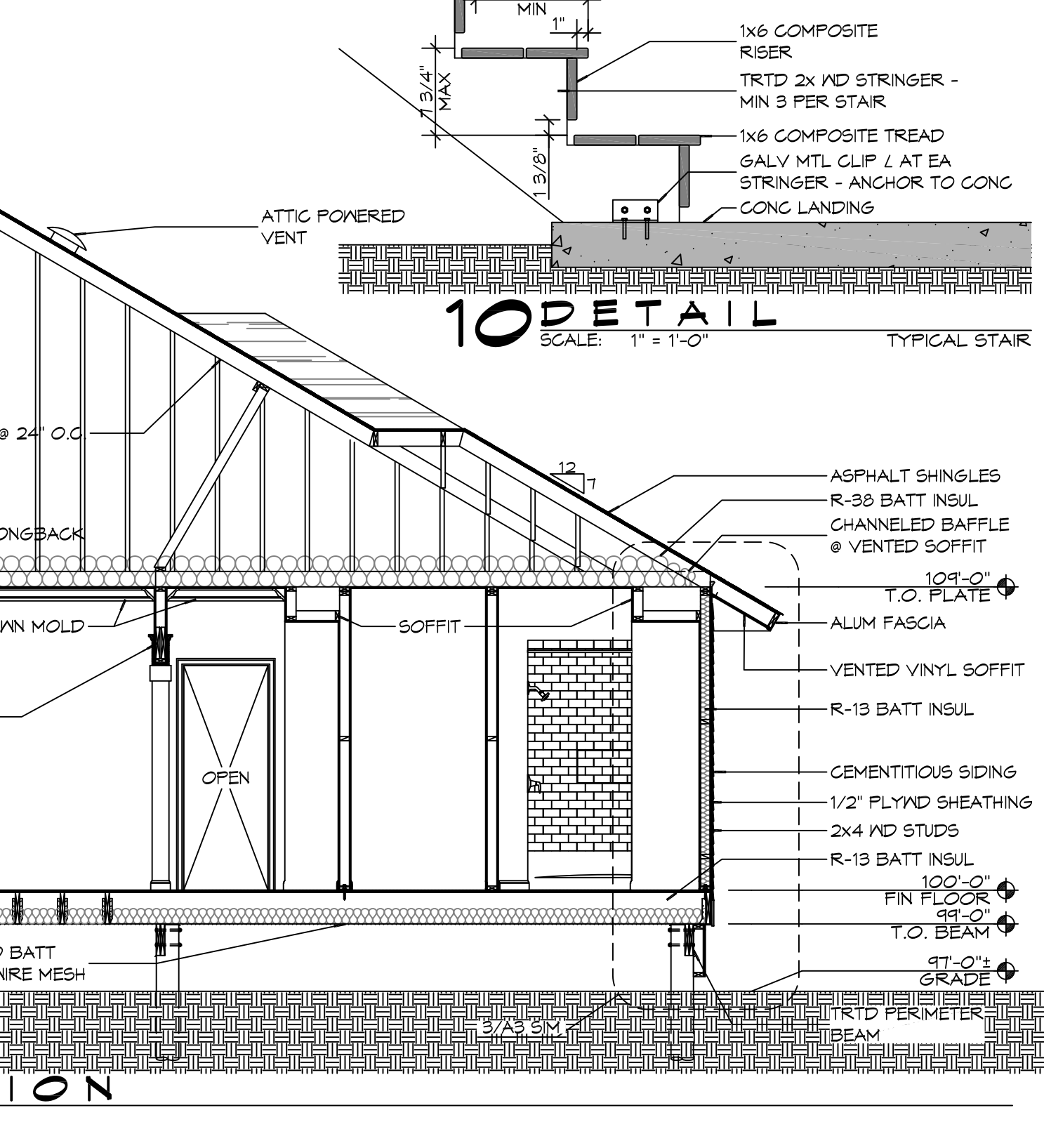
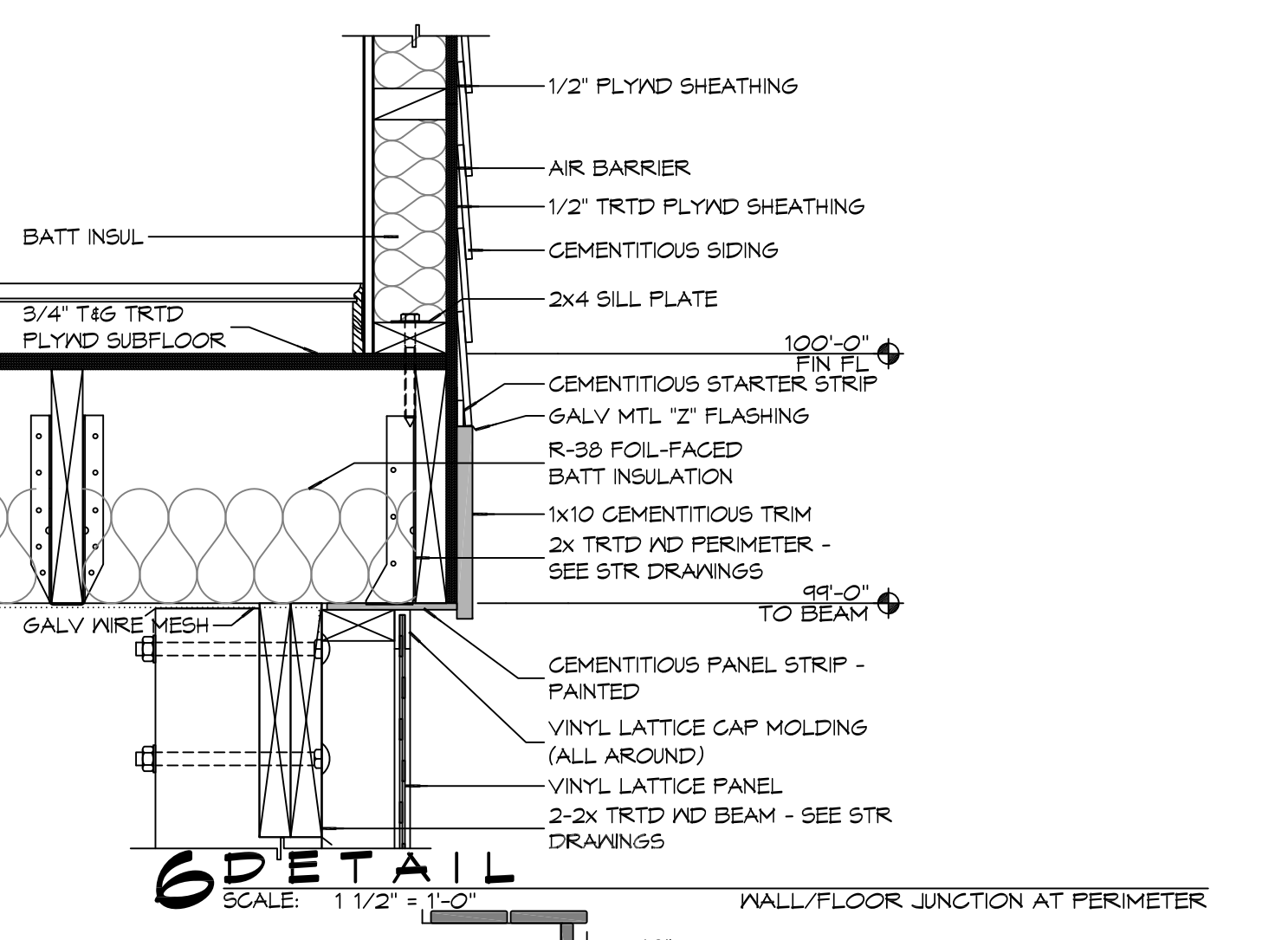
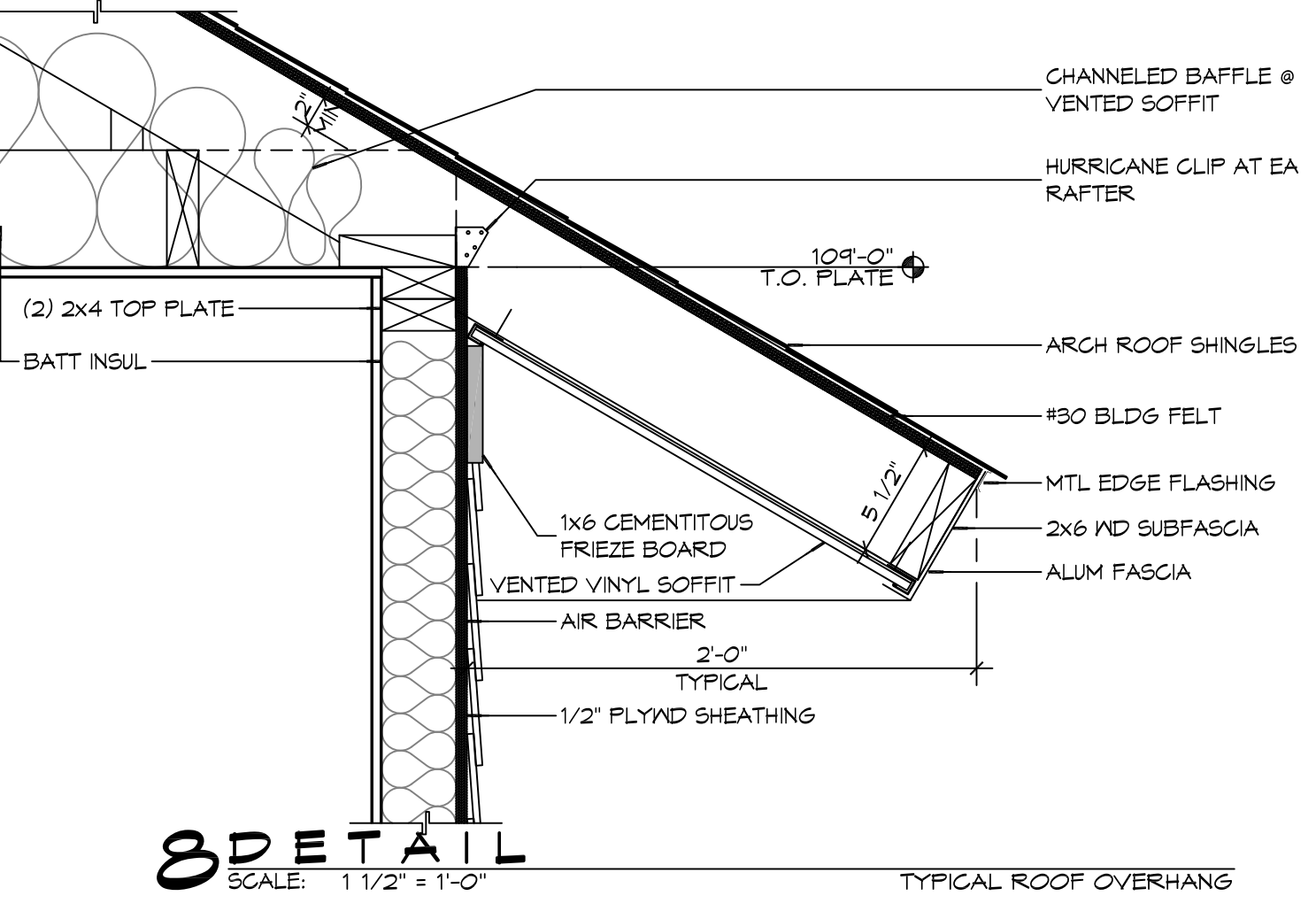


GENERAL SHEET NOTES

- WHERE METAL 'Z' FLASHING OCCURS OVERLAP W/ AIR-BARRIER MEMBRANE OR TAPE WITH COMPATIBLE ADHESIVE.
- ALL METAL FLASHING SHALL BE G185 GALV, MIN 20 GA. DO NOT USE ALUM WHERE IT COMES INTO CONTACT WITH TRTD 1/2" UNLESS A DURABLE BARRIER MATERIAL IS PROVIDED.
- ALL EXPOSED 1/2" DECKING, TREADS, GUARDRAILS, ETC SHALL BE INSTALLED WITH BEST SIDE UP OR OUT.
- PROVIDE TRTD 6"x6" PYRAMID POST POINTS W/ COPPER CAPS AT ALL STAIR NEWELL POSTS.
- PROVIDE VENTED VINYL SOFFITS WITH A MINIMUM OF 875 SQ INCHES OF NET FREE AREA. PROVIDE CHANNLED BAFFLES @ ALL VENTED SOFFITS.



DAMMON ENGINEERING, INC.
LOUISIANA & MISSISSIPPI

Chief Engineer: Brian Misch, PE
554 Old Spanish Trail
Slidell, LA 70588
www.dammonengineering.com
info@dammonengineering.com
PH: 985-649-5832

REVISIONS	DATE	DESCRIPTION

SEAL:

CAMP VILLERE NEW HOME CONSTRUCTION
LA 14-A-037
JOB No: 2210 DATE: OCTOBER 6, 2014
DRAWN BY: KJK CHECKED BY: KJK

SHEET TITLE: SECTIONS AND DETAILS
DRAWING NUMBER: **A3**

SHEET No: 7 of 12