

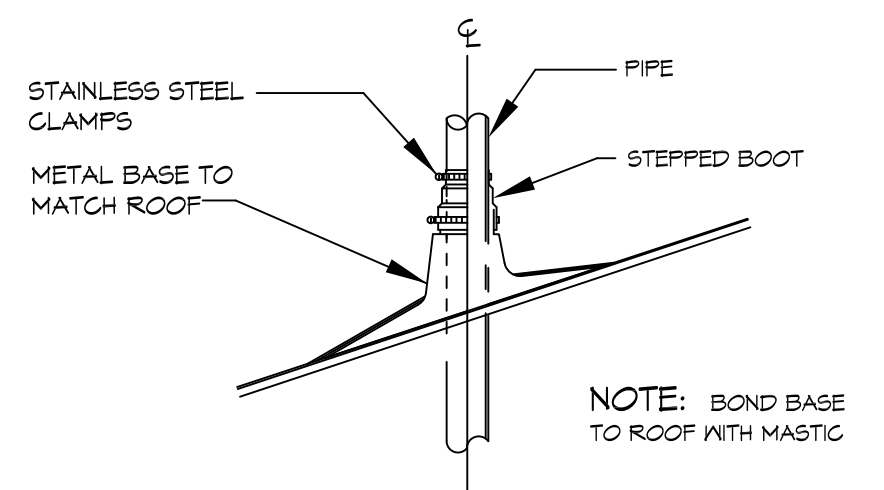
FILE NAME: J:_Customer\2014 - Camp Villere Construction\2014 - Camp Villere Construction\2014 - Camp Villere Construction.dwg, PLOT DATE: 10/06/2014 10:28:09 AM

PLUMBING FIXTURE SCHEDULE

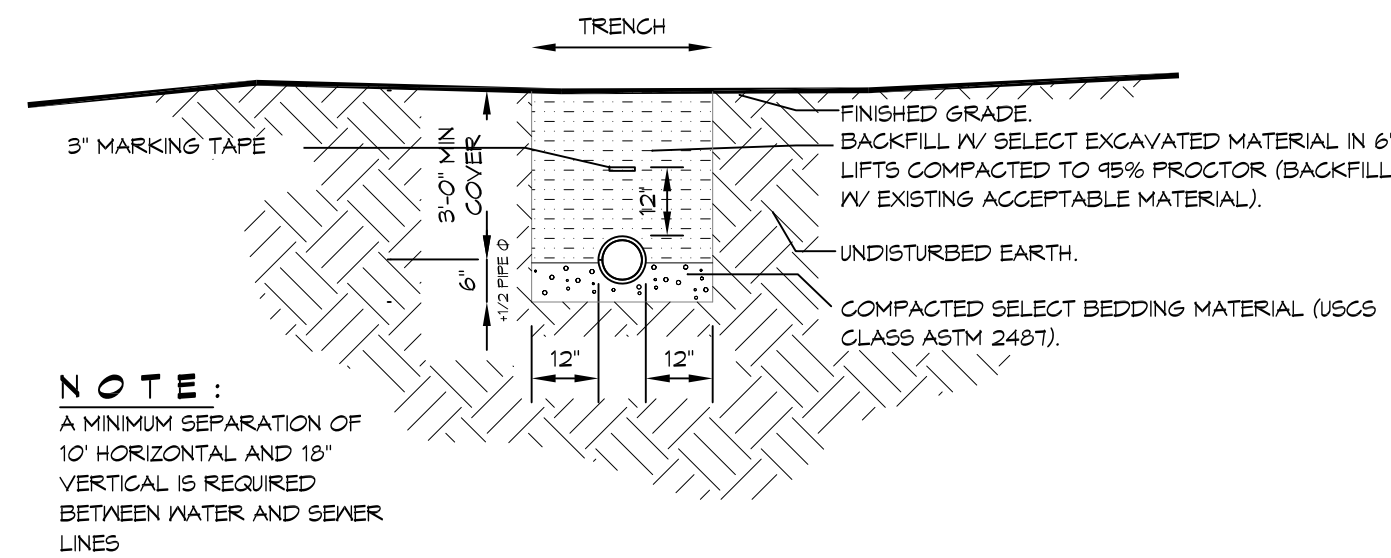
MARK	DESCRIPTION	TYPE	ROUGH-IN SIZES			MODEL	
			WASTE/VENT	CN	H.H.		
WC	WATER CLOSET	VALVE	4"	4"	1/2"	- KOHLER K-3575	
L1	LAVATORY	-	2"	2"	1/2"	1/2"	KOHLER R2699-4-0 & MOEN 842235RN
S1	SINK	-	2"	2"	1/2"	1/2"	MOEN 6202334 & KINGSTON PL658878CTL
WM	WASHING MACHINE	-	2"	2"	1/2"	1/2"	OWNER SUPPLIED
BT1	BATHTUB	-	2"	2"	1/2"	1/2"	KOHLER K-715 & MOEN T2703EPBN W/ POSI-TEMP VALVE
DW	DISHWASHER	-	2"	2"	1/2"	1/2"	OWNER SUPPLIED

GENERAL PLUMBING NOTES

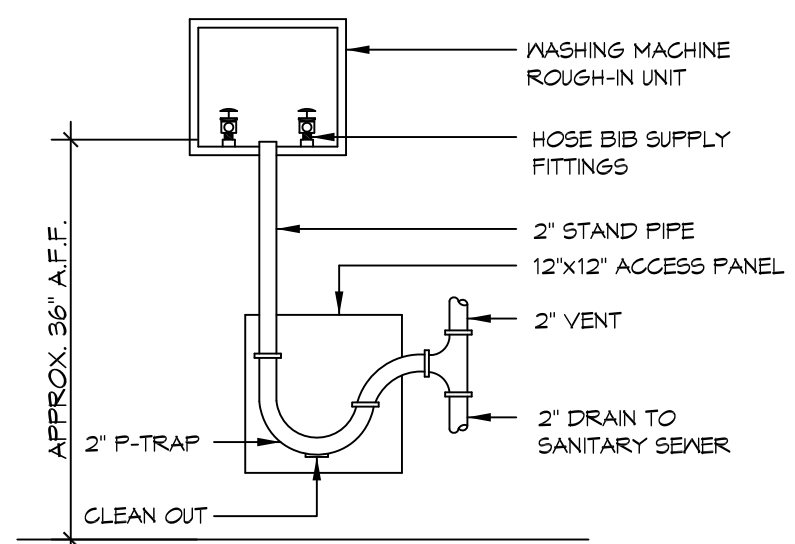
- PROVIDE ALL LABOR, MATERIAL AND EQUIPMENT FOR A COMPLETE OPERATING SYSTEM. PROVIDE ALL PLUMBING FIXTURES EXCEPT THOSE PROVIDED BY OWNER. THE SYSTEM SHALL INCLUDE HOT AND COLD WATER PIPING, SEWER AND VENT PIPING, INSULATION, WATER HEATER, HANGERS, VALVES, AND ALL SUPPORTS WITHOUT ANY RESTRICTIONS TO VOLUME, CUT AND PATCH AS REQUIRED TO INSTALL PIPES.
- CONTRACTOR IS TO FIELD VERIFY ALL EXISTING UTILITY LOCATIONS, ELEVATIONS, AND INVERTS PRIOR TO COMMENCING ANY WORK. CONTRACTOR SHALL PAY NECESSARY FEES FOR THE UTILITIES CONNECTIONS.
- CONTRACTOR TO BE RESPONSIBLE TO VERIFY ANY INVERTS AND SET NEW INVERTS OF SEWAGE AND DRAINAGE PIPES.
- ALL WORK AND MATERIAL TO COMPLY STRICTLY TO THE LATEST LOCAL CITY PARISH, STATE, AND NATIONAL GOVERNING CODES.
- SEWAGE LINES 3" AND SMALLER SHALL BE SLOPED 1/4" PER FOOT AND LINES THAT ARE 4" AND LARGER SHALL BE SLOPED 1/8" PER FOOT.
- TEST ALL PIPING AT REQUIRED PRESSURE.
- ALL PLUMBING SHALL BE CLOSELY COORDINATED WITH STRUCTURAL, ELEVATIONS, AND ELECTRICAL SYSTEMS TO ENSURE NO TRADES WILL CONFLICT WITH EACH OTHER.
- ALL WATER MAINS AND PIPING NOT SHOWN FOR CLARITY. ALL LOCATIONS SHALL BE FIELD VERIFIED.
- WATER PIPING UNDER GROUND SHALL BE PVC SCHEDULE 40. DOMESTIC HOT AND COLD WATER PIPING AND FITTINGS UNDER THE FINISHED FLOOR BUT ABOVE THE NATURAL GRADE SHALL BE CPVC SCHEDULE 80.
- DOMESTIC WATER PIPING AND FITTINGS ABOVE THE FINISHED FLOOR SHALL BE CPVC SCHEDULE 40 OR PEX TUBING AND FITTINGS. WHEN PEX TUBING AND FITTINGS ARE USED THEY SHALL BE UPSIZED, (I.E. 1/2" SHOWN ON THE DRAWINGS SHALL HAVE 5/8" PEX TUBING AND FITTINGS, 3/4" SHALL HAVE 1" PEX).
- SOIL, WASTE, VENT PIPING AND FITTINGS:
 - ABOVE THE FINISHED FLOOR SHALL BE PVC SCHEDULE 40 OR ABS S.W.V.
 - BELOW THE FLOOR BUT ABOVE THE NATURAL GRADE SHALL BE PVC SCHEDULE 40. ALL WASTE PIPING BELOW THE FLOOR AND ABOVE THE NATURAL GRADE SHALL BE SUPPORTED BENEATH THE FLOOR JOIST, BORING HOLES IN FLOOR JOIST FOR DRAINAGE PIPING SHALL NOT BE ALLOWED. INSTALL HANGERS AND SUPPORTS TO ALLOW CONTROLLED THERMAL MOVEMENT OF PIPING SYSTEMS, TO PERMIT FREEDOM OF MOVEMENT BETWEEN PIPE ANCHORS, AND TO FACILITATE ACTION OF EXPANSION JOINTS, EXPANSION LOOPS, EXPANSION BENDS, AND SIMILAR UNITS.
 - GRAVITY FLOW PIPING BELOW THE NATURAL GRADE SHALL BE SDR-26.
 - PVC PRESSURE PIPE SHALL BE ANNA CROO CLASS 150 WITH GASKETED JOINTS.
- ALL WATER PIPING AND FITTINGS ABOVE THE CEILING SHALL BE INSULATED WITH 1" THICK FIBERGLASS INSULATION AND JACKET. ALL WATER PIPING AND FITTINGS BELOW THE FINISHED FLOOR BUT ABOVE THE NATURAL GRADE SHALL BE INSULATED WITH 1" THICK FIBERGLASS INSULATION AND JACKET. INSTALL HANGERS AND SUPPORTS OUTSIDE OF INSULATION TO ALLOW CONTROLLED THERMAL MOVEMENT OF PIPING SYSTEMS, TO PERMIT FREEDOM OF MOVEMENT BETWEEN PIPE ANCHORS, AND TO FACILITATE ACTION OF EXPANSION JOINTS, EXPANSION LOOPS, EXPANSION BENDS, AND SIMILAR UNITS. ALL WATER PIPING AND FITTINGS ABOVE THE CEILING BUT BELOW THE ROOF SHALL BE INSULATED WITH 1" THICK FIBERGLASS INSULATION AND JACKET.
- SHOWER AND SHOWER/BATH COMBINATIONS IN ALL BUILDINGS SHALL BE PROVIDED WITH AN AUTOMATIC COMPENSATING SCALD PREVENTATIVE VALVE OF THE PRESSURE BALANCE, THERMOSTATIC, OR COMBINATION PRESSURE BALANCE/THERMOSTATIC MIXING VALVE TYPE WHICH PROVIDES SCALD AND THERMAL SHOCK PROTECTION FOR THE RATED FLOW RATE OF THE INSTALLED SHOWERHEAD. THESE VALVES SHALL CONFORM TO ASSE 1016, ASME A 112.18.1 OR CSA B125.1 AND SHALL BE EQUIPPED WITH A MEANS TO LIMIT THE MAXIMUM SETTING OF THE VALVE TO 120°F (48.3°C), WHICH SHALL BE FIELD ADJUSTED IN ACCORDANCE WITH THE MANUFACTURER'S INSTRUCTIONS AT THE TIME OF INSTALLATION.



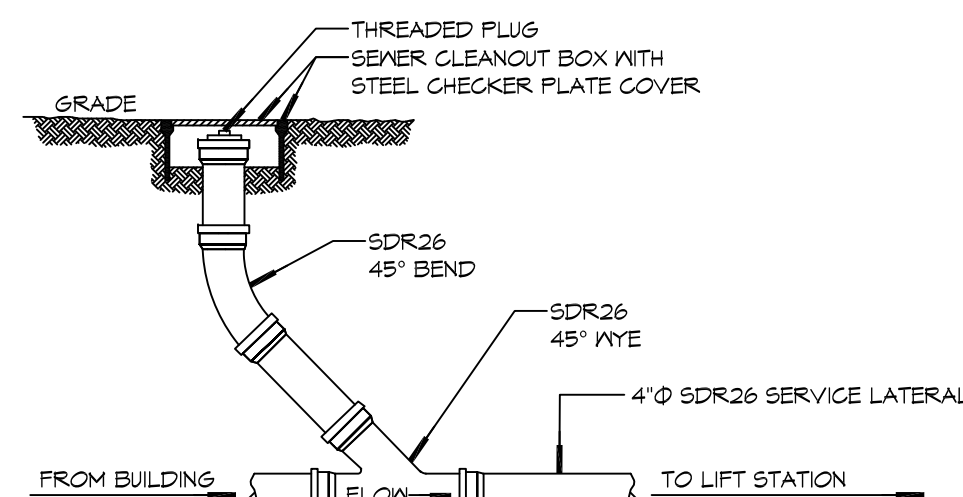
6 PLUMBING DETAIL
SCALE: N.T.S. VENT THRU ROOF DETAIL



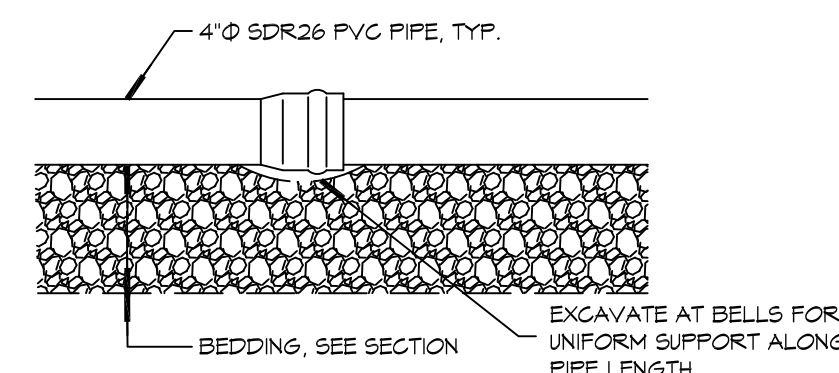
7 PLUMBING DETAIL
SCALE: N.T.S. PIPE BEDDING DETAIL FOR SEWER OR WATER



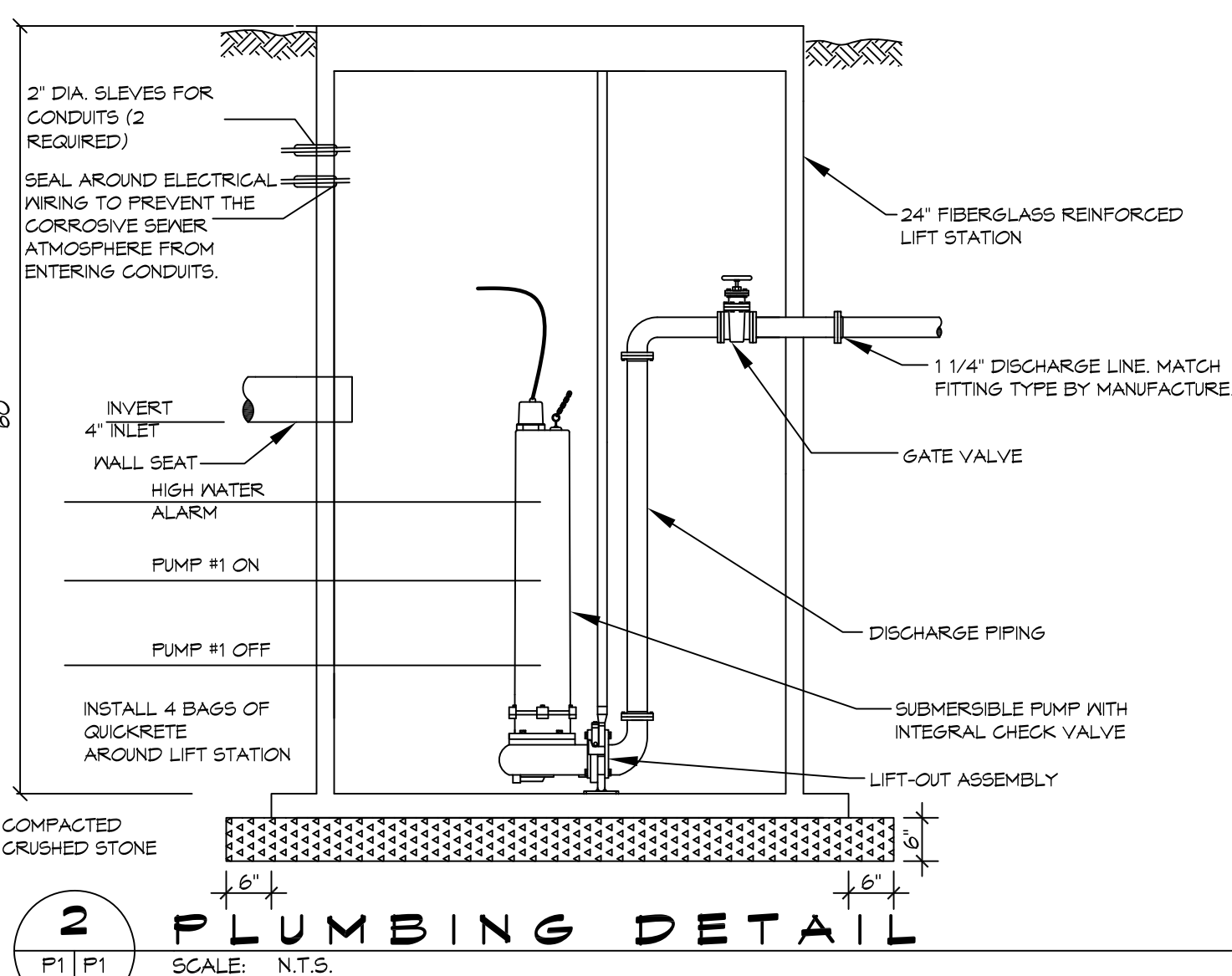
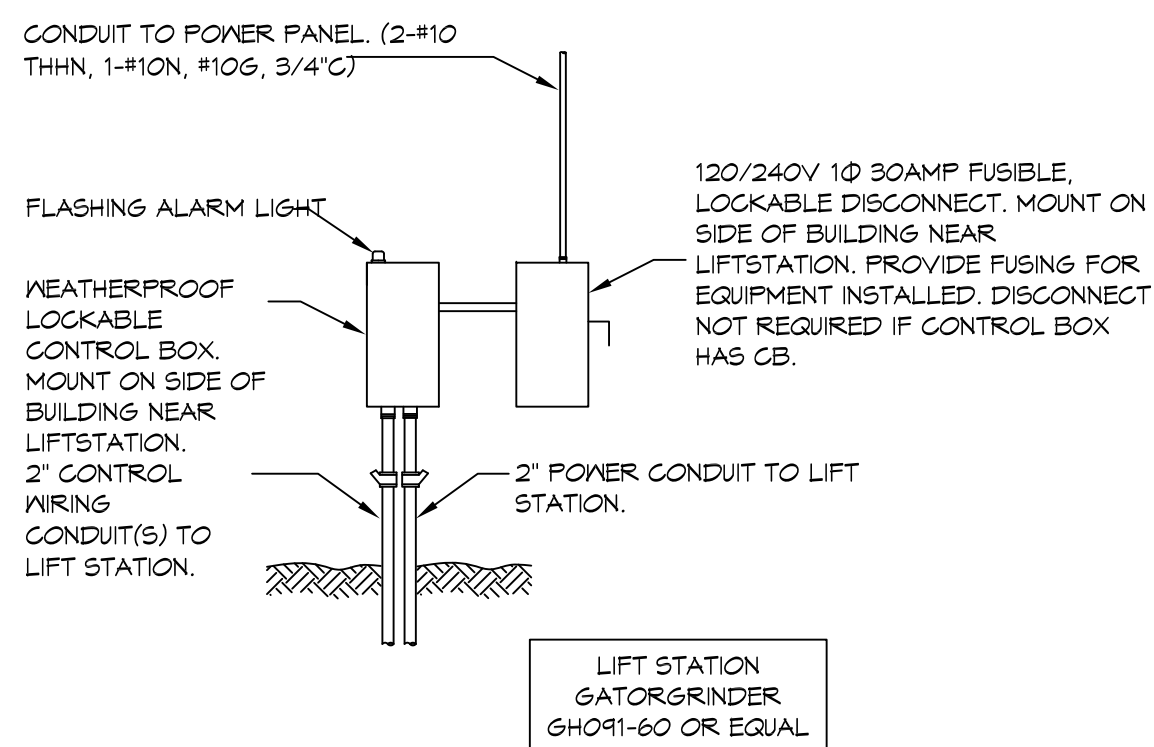
3 PLUMBING DETAIL
SCALE: N.T.S. WASHING MACHINE HOOK-UP



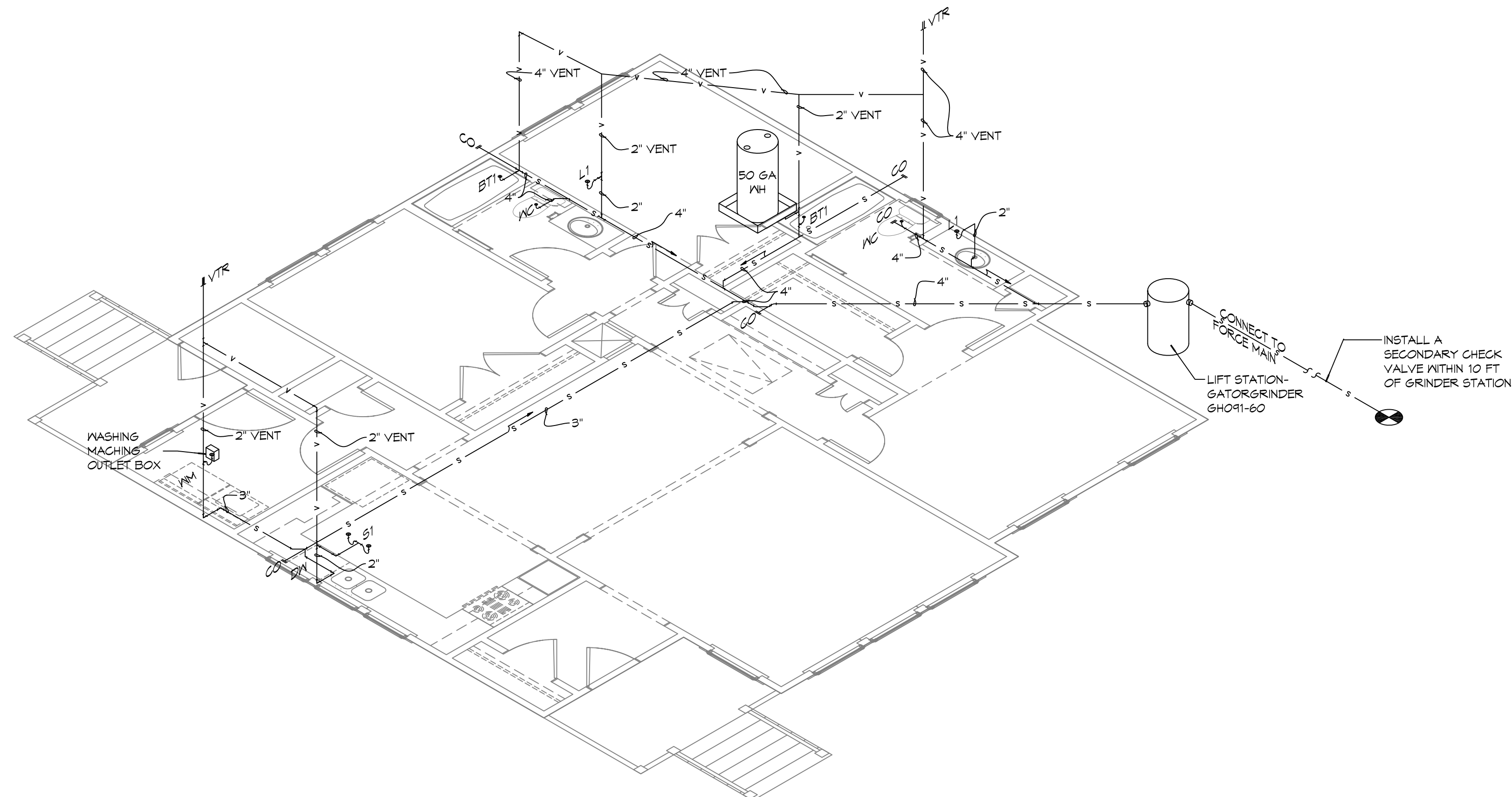
4 PLUMBING DETAIL
SCALE: N.T.S. SEWER CLEANOUT DETAIL



5 PLUMBING DETAIL
SCALE: N.T.S. SERVICE LATER BEDDING DETAIL



2 PLUMBING DETAIL
SCALE: N.T.S. LIFT STATION (TYP)



1 PLUMBING PLAN
SCALE: 1/4" = 1'-0" SANITARY SEWER

DAMMON ENGINEERING, INC.
LOUISIANA & MISSISSIPPI
Chief Engineer: Brian Misch, PE
554 Old Spanish Trail
Slidell, LA 70688
www.dammonengineering.com
info@dammonengineering.com
PH: 985-649-5832

REVISIONS	DATE	DESCRIPTION



CAMP VILLERE CONSTRUCTION
NEW HOME CONSTRUCTION
LA 14-A-037
CAMP VILLERE, LOUISIANA
JOB No: 2210 DATE: OCTOBER 6, 2014
DRAWN BY: KJK CHECKED BY: CKD

SHEET TITLE:
PLUMBING PLANS, RISER
DIAGRAMS AND NOTES

DRAWING NUMBER:
01