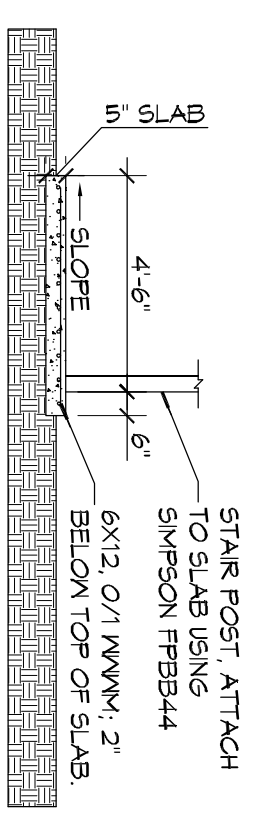
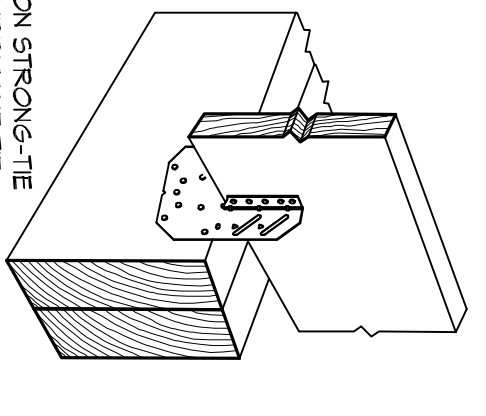


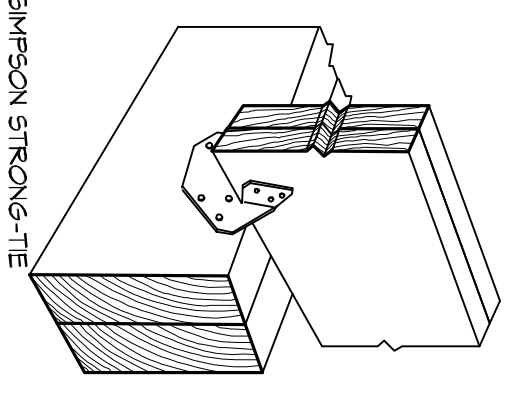
**D DETAIL**  
SCALE: N.T.S.  
FLOOR JOIST CONNECTION



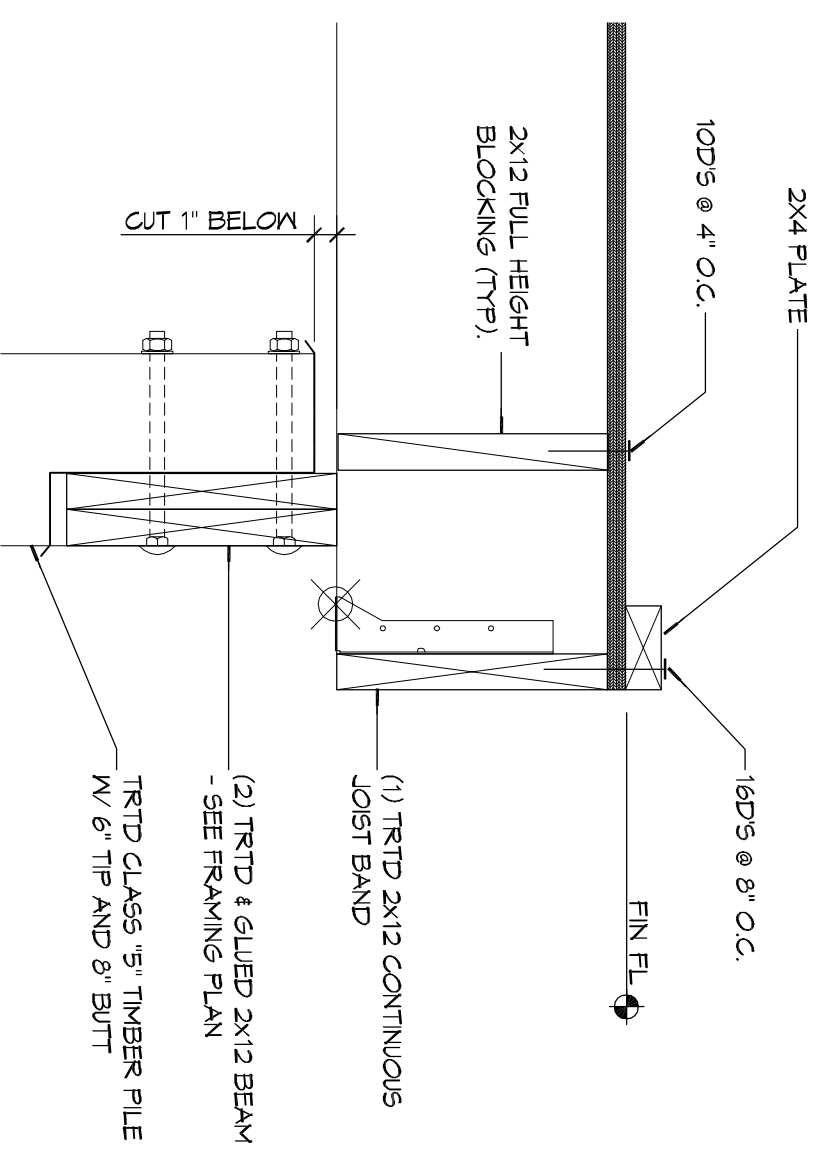
**E DETAIL**  
SCALE: N.T.S.  
CONCRETE PAD



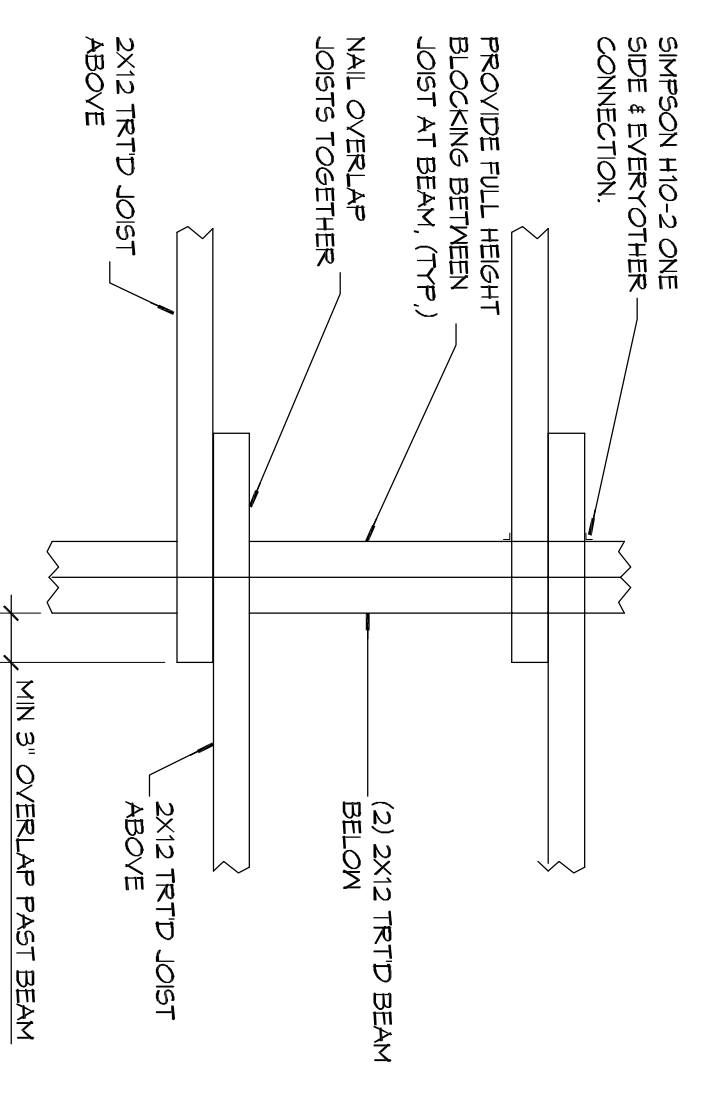
**B DETAIL**  
SCALE: N.T.S.  
FLOOR JOIST



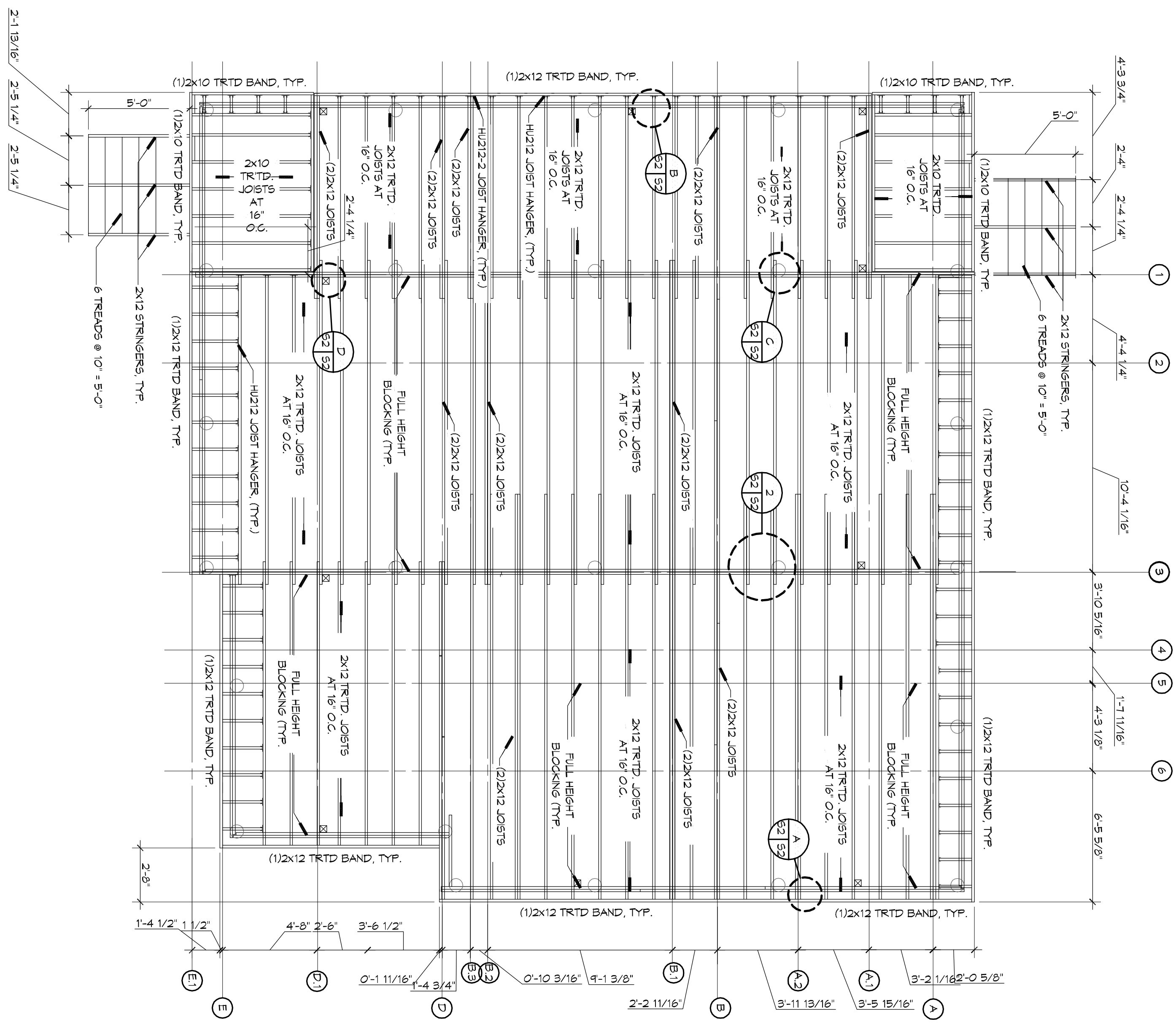
**C DETAIL**  
SCALE: N.T.S.  
DBL FLOOR JOIST



**A DETAIL**  
SCALE: 1/2\"/>



**2 DETAIL**  
SCALE: N.T.S.  
INTERIOR FLOOR JOIST AT BEAM



**1 FLOOR FRAMING PLAN**  
SCALE: 1/4\"/>

**CONCRETE PAD CONCRETE MIX DESIGN**

MIX FOR ONE CUBIC YARD OF CONCRETE:	3000 PSI
28 DAY COMPRESSIVE STRENGTH (TYPE III)	444 BAGS (454 LBS.)
CEMENT (ASTM C-150)	116 BAGS (121 LBS.)
FLY ASH (ASTM C-618)	116 BAGS (121 LBS.)
GRAVEL (ASTM C-33, GRADE A)	1226 LBS.
WATER (ASTM C-23)	90 GALLONS (340 LBS.)
MATERIALS (PORTABLE)	16.35 LBS.
TYPE A WATER REDUCER (ASTM C-494)	5% BY VOLUME, USE PER MANUFACTURER'S SPECIFICATIONS
AIR ENTRAINMENT	STEEL 6X12 0/1 W/M RENEWEMENT

**CONCRETE PAD NOTES**

- REMOVE EXISTING SURFACE TO A DEPTH OF 1 FT. AND GRADE WITH 20 TONS.
- PROVIDE AND MAINTAIN IMMEDIATE SITE DRAINAGE BEFORE DRAINING AND AFTER CONSTRUCTION. PROVIDE GRADING, SWALES AND SWAMP PUMPS AS MAY BE REQUIRED TO IMMEDIATELY DRAIN ALL RAIN WATER FROM THE CONSTRUCTION AREA. GOOD SURFACE DRAINAGE WITH POSITIVE COLLECTION AND RUNOFF AND SLOPES AWAY FROM THE BUILDING.
- STRUCTURAL FILL SHALL BE INSTALLED IN 6\"/>

**GENERAL STRUCTURAL NOTES**

- THE STRUCTURE IS DESIGNED TO BE SELF-SUPPORTING & STABLE AFTER THE BUILDING IS FULLY COMPLETED. IT IS SOLELY THE CONTRACTOR'S RESPONSIBILITY TO DETERMINE ERECTION PROCEDURES & SEQUENCE & TO MAINTAIN THE SAFETY OF THE BUILDING AND ITS COMPONENT PARTS THROUGHOUT THE CONSTRUCTION PERIOD. THE CONTRACTOR SHALL BE RESPONSIBLE FOR OBTAINING NECESSARY PERMITS, TEMPORARY BRACING, BAYS OR TENDONS WHICH MAY BE NECESSARY DURING CONSTRUCTION. SUCH MATERIAL SHALL REMAIN THE CONTRACTOR'S PROPERTY AFTER THE COMPLETION OF THE PROJECT.
- IT IS SOLELY THE CONTRACTOR'S RESPONSIBILITY TO FOLLOW ALL APPLICABLE SAFETY CODES & REGULATIONS DURING ALL PHASES OF CONSTRUCTION. THE CONTRACTOR SHALL BE RESPONSIBLE FOR OBTAINING ALL NECESSARY PERMITS AND APPROVALS FROM THE LOCAL, STATE, AND FEDERAL AUTHORITIES. THE CONTRACTOR SHALL BE RESPONSIBLE FOR OBTAINING ALL NECESSARY PERMITS AND APPROVALS FROM THE LOCAL, STATE, AND FEDERAL AUTHORITIES.
- UNLESS OTHERWISE SPECIFICALLY SHOWN, FABRICATION AND CONSTRUCTION SHALL BE GOVERNED BY THE LATEST REVISIONS OF:
  - NATIONAL DESIGN SPECIFICATION FOR WOOD CONSTRUCTION BY NFA.
  - U.S. PRODUCT STANDARD PA-1 FOR CONSTRUCTION AND COMMERCIAL FLYWOOD.
  - APA DESIGN/CONSTRUCTION GUIDE - RESIDENTIAL AND COMMERCIAL FLYWOOD.
  - USE SOLID BLOCKING OR G-2893S BRACING AT 4'-0\"/>
- USE SOLID BLOCKING AT MID-HEIGHT FOR ALL INTERIOR AND EXTERIOR STUD WALLS.
- PROVIDE BLOCKING IN WALL TO SECURE MOUNTED WILLOWORK SHELVES, FIXTURES, MIRRORS, TOILET ACCESSORIES AND OTHER ITEMS REQUIRING A PERMANENT ATTACHMENT TO THE WALL.
- USE DOUBLE STUDS UNDER BEAM AND LINTEL BEAMS, UNLESS SHOWN OTHERWISE.
- PLYWOOD SHEATHING SHALL BE 5/8\"/>

**FOUNDATION & STRUCTURAL DIMENSION LUMBER NOTES**

- PROVIDE STRUCTURAL FRAMING MEMBERS OF THE SIZE INDICATED ON DRAWINGS. ALL DIMENSIONS SHALL BE TO THE CENTERLINE UNLESS OTHERWISE INSTRUCTED OTHERWISE. USE PRESSURE TREATED SOUTHERN PINE NO. 2 MINIMUM FOR ALL BEAMS, FLOOR JOIST AND BOTTOM SILL PLATES.
- BEAMS SHALL BE PRESSURE TREATED CONFORMING TO AWP-1023B AND SHALL BE WATER BASED PRESERVATIVE. ALL BEAMS SHALL BE GULDED AND ALLOWED TO AIR DRY TO MOISTURE CONTENT OF 19% OR LESS.
- FLOOR JOIST AND BOTTOM SILL PLATE SHALL BE PRESSURE TREATED CONFORMING TO AWP-1023B.
- BORED HOLES SHALL BE 2\"/>

**DAMMON ENGINEERING, INC.**  
Architects & Engineers

Chief Architect: Kevin J. Kinchen, NCARB  
Chief Engineer: Brian Nistich, PE  
554 Old Spanish Trail  
Stidell, LA 70458

www.dammoneengineering.com  
info@dammoneengineering.com  
PH: 855.649.5832  
F: 855.641.5950

REVISIONS	DATE

95% SUBMITTAL NOT FOR CONSTRUCTION

10/8/2014

**CAMP VILLER NEW HOME CONSTRUCTION**

CAMP VILLER, LOUISIANA LA 14-A-037

JOB No: 2210 DATE: OCTOBER 8, 2014

DRAWN BY: KJK/DD CHECKED BY: CKD

**52**

SHEET TITLE: FRAMING PLAN - DETAILS AND NOTES

DRAWING NUMBER: 52

SHEET No: 3 of 12