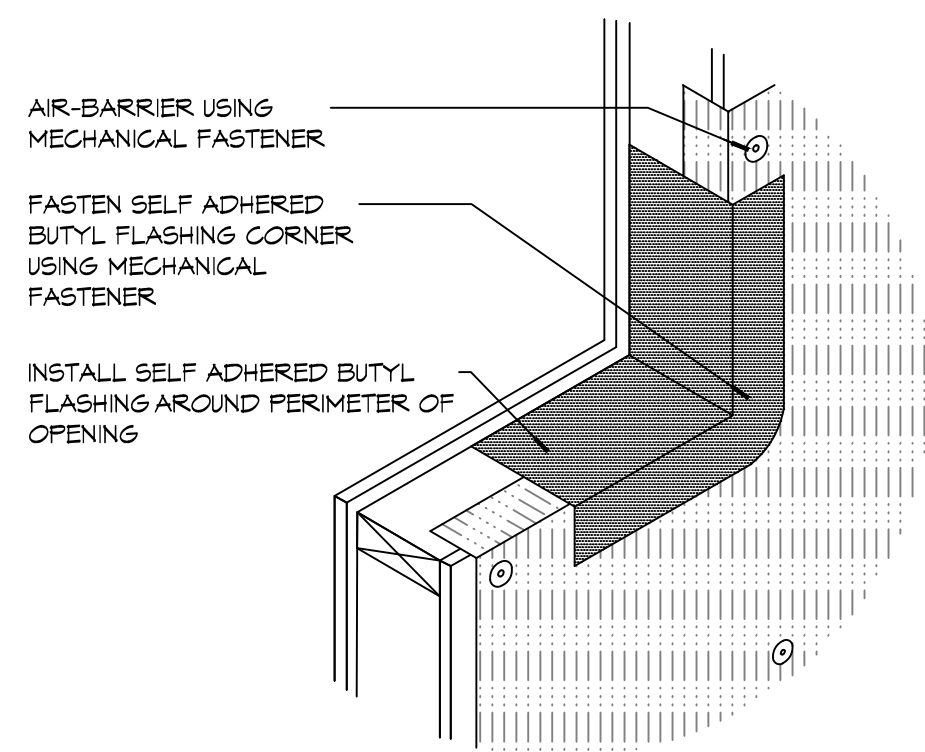
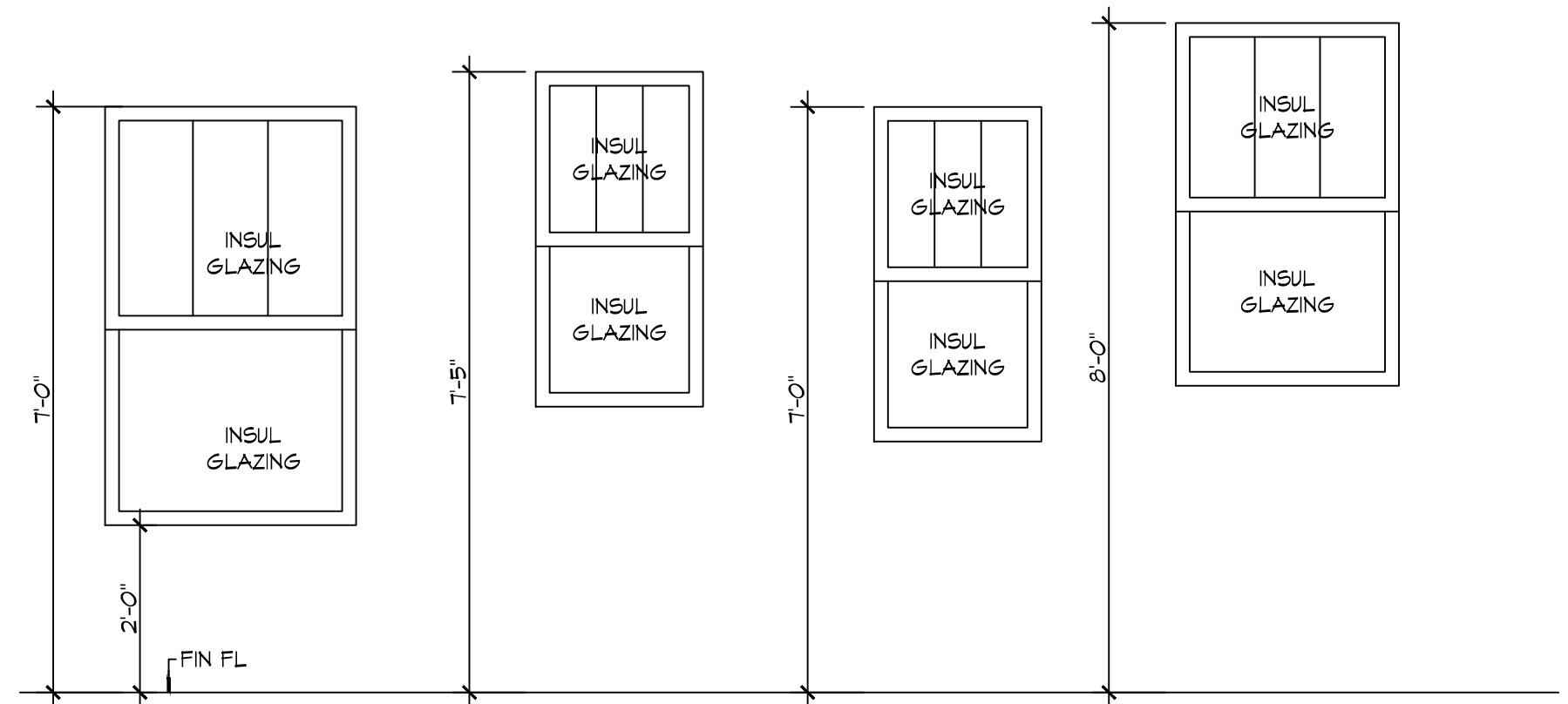


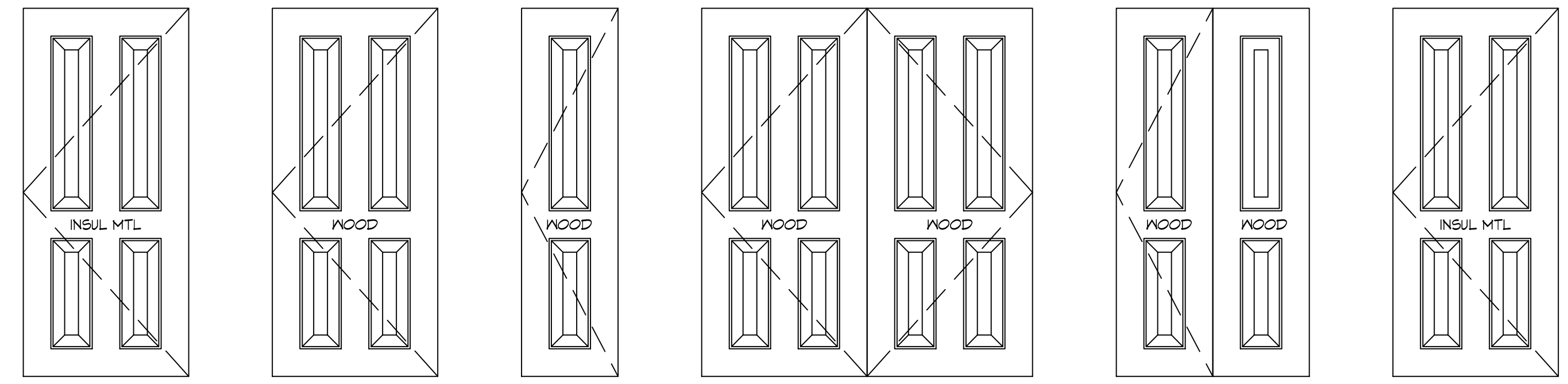
FILE NAME: A:\Dammmon\2017 - Camp Villere Construction\2017 - Camp Villere Construction\2017 - Camp Villere Construction.dwg  
 PLOT DATE: 4/11/2017  
 PLOT TIME: 10:45:32 AM  
 PLOT BY: KJK



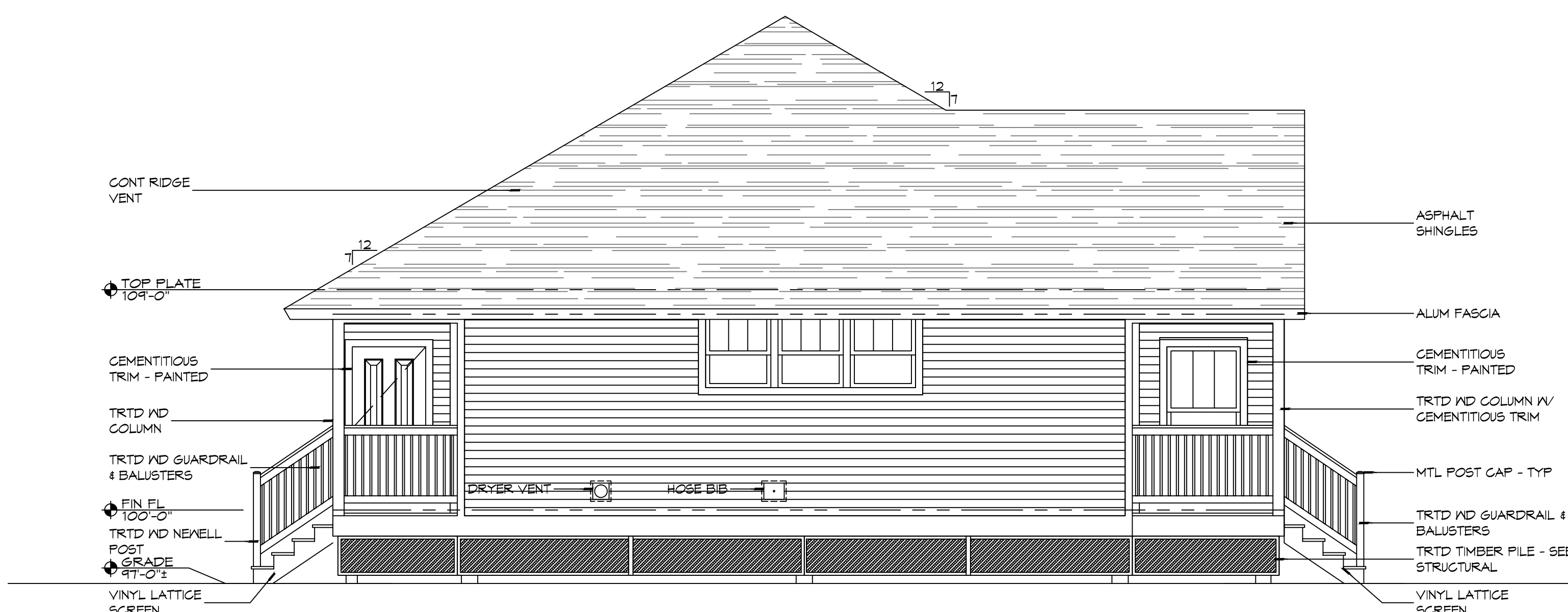
**7 DETAIL**  
SCALE: NTS



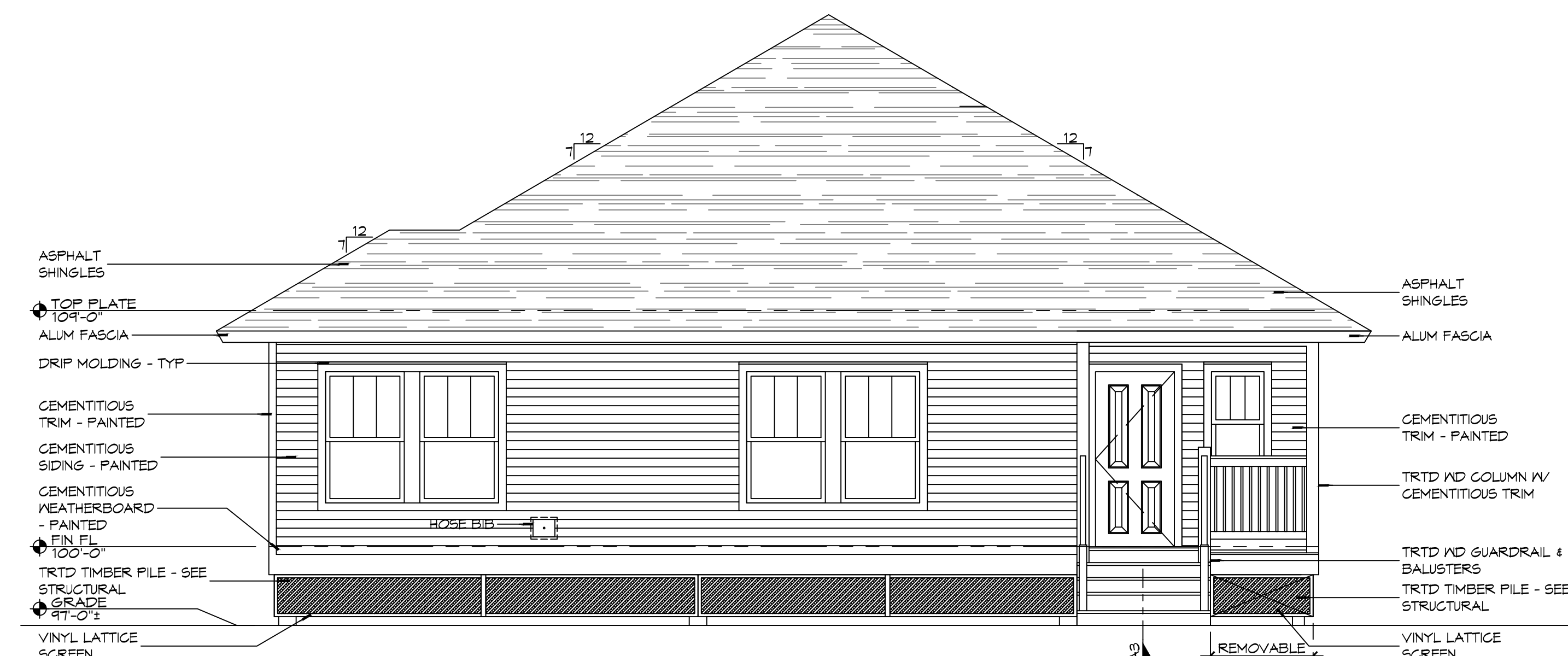
**6 OPENING TYPES - WINDOWS**  
SCALE: 1/2" = 1'-0"



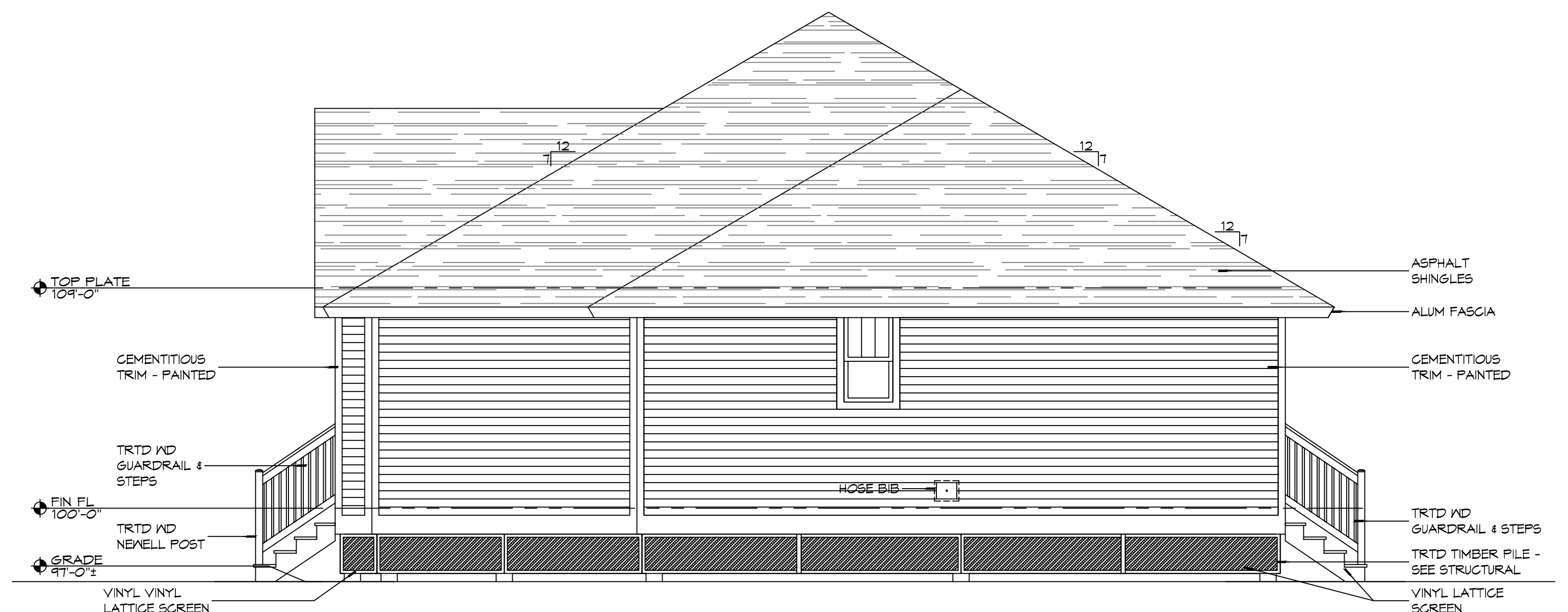
**5 OPENING TYPES - DOORS**  
SCALE: 1/2" = 1'-0"



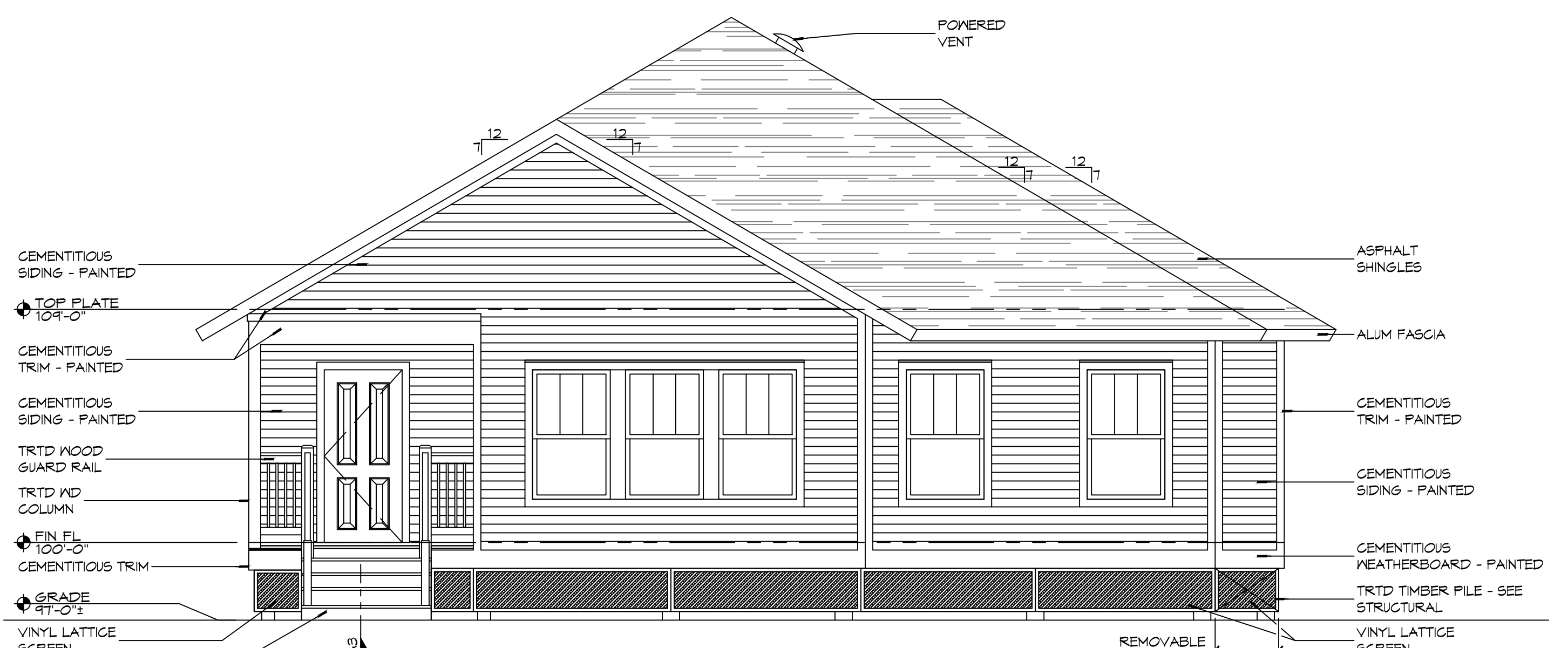
**4 EXTERIOR ELEVATION**  
SCALE: 1/4" = 1'-0"



**3 EXTERIOR ELEVATION**  
SCALE: 1/4" = 1'-0"



**2 EXTERIOR ELEVATION**  
SCALE: 1/4" = 1'-0"



**1 EXTERIOR ELEVATION**  
SCALE: 1/4" = 1'-0"

**DAMMON ENGINEERING, INC.**  
 LOUISIANA & MISSISSIPPI  
 Chief Engineer: Brian Misch, PE  
 554 Old Spanish Trail  
 Slidell, LA 70568  
 www.dammoneengineering.com  
 info@dammoneengineering.com  
 PH: 985.649.5832

#	DESCRIPTION	DATE
1	SINGLE POINT ROOF	4/11/2017
AS BUILTS 10/6/2017		

SEAL:

CAMP VILLERE CONSTRUCTION  
 NATIONAL GUARD  
 LA 14-A-03T  
 JOB No: 2210  
 DATE: OCTOBER 6, 2014  
 DRAWN BY: KJK  
 CHECKED BY: KJK

SHEET TITLE:  
 EXTERIOR ELEVATIONS,  
 OPENING TYPES AND  
 DETAIL  
 DRAWING NUMBER:  
**A2**  
 SHEET No: 6 of 12