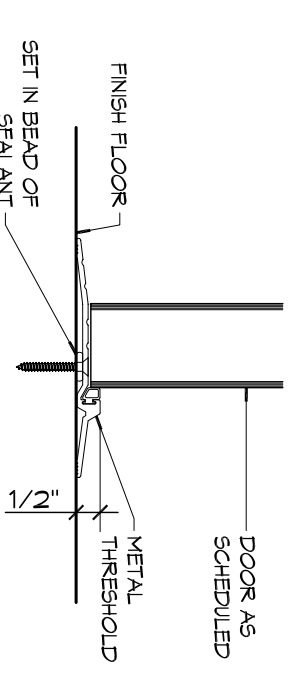
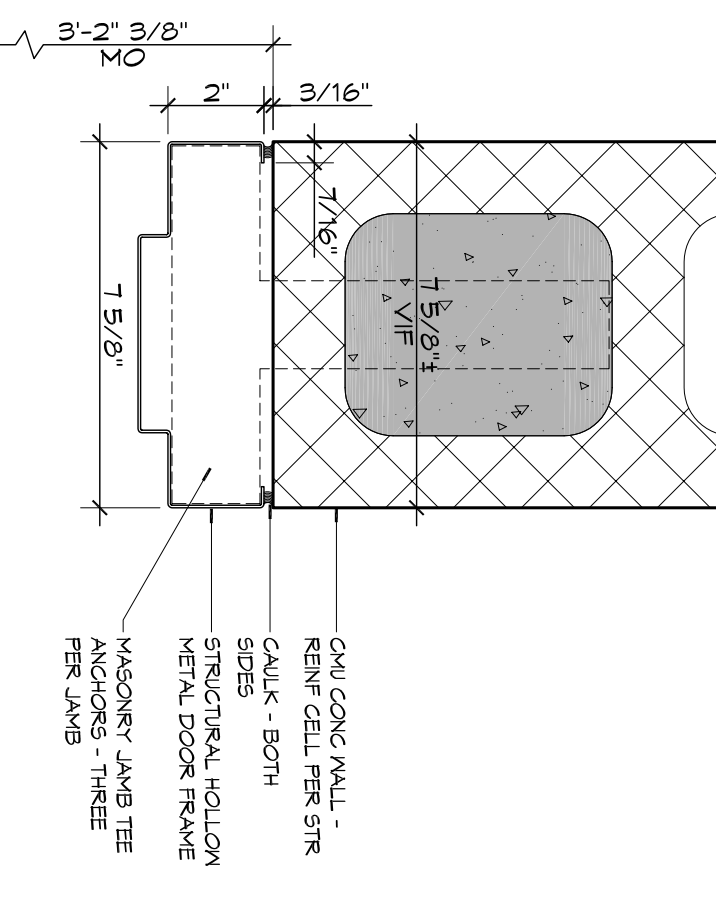


DOOR SCHEDULE								
NO	SIZE	TYPE	DOOR MATERIAL	FRAME MATERIAL	FRAME TYPE	FR	HWR	REMARKS
102A	3'-0" X 7'-0" X 1/4"	F	GALV MTL	HOLLOW METAL	F1	NR	01	
102B	3'-0" X 7'-0" X 3/4"	F	GALV MTL	HOLLOW METAL	F1	NR	01	
104A	3'-0" X 7'-0" X 1/4"	F	GALV MTL	HOLLOW METAL	F1	NR	01	

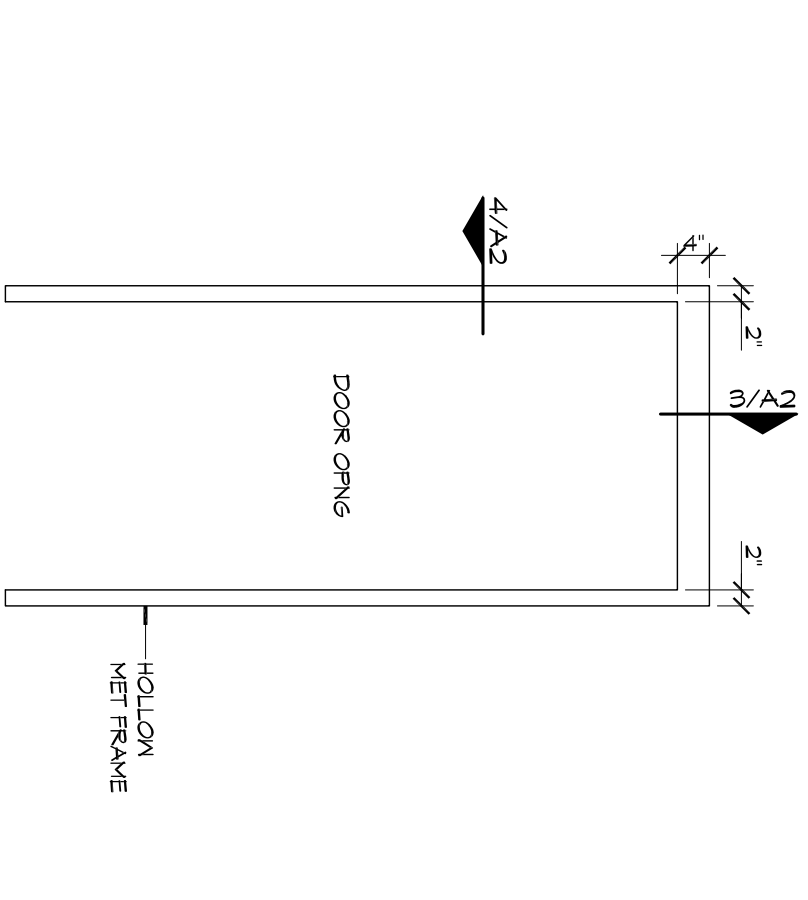
FINISH SCHEDULE						
RM #	ROOM NAME	FLOOR	WALLS	CEILING	CLNG HGT	REMARKS
101	FOYER	SEALED CONC	FTD CMU	FTD OSB PLYWOOD	10'-1"	
102	TABLES & CHANGS	SEALED CONC	FTD CMU	FTD OSB PLYWOOD	10'-1"	
103	MEN'S TOILET	SEALED CONC	FTD CMU	FTD OSB PLYWOOD	10'-1"	
104	WOMEN'S TOILET	SEALED CONC	FTD CMU	FTD OSB PLYWOOD	10'-1"	



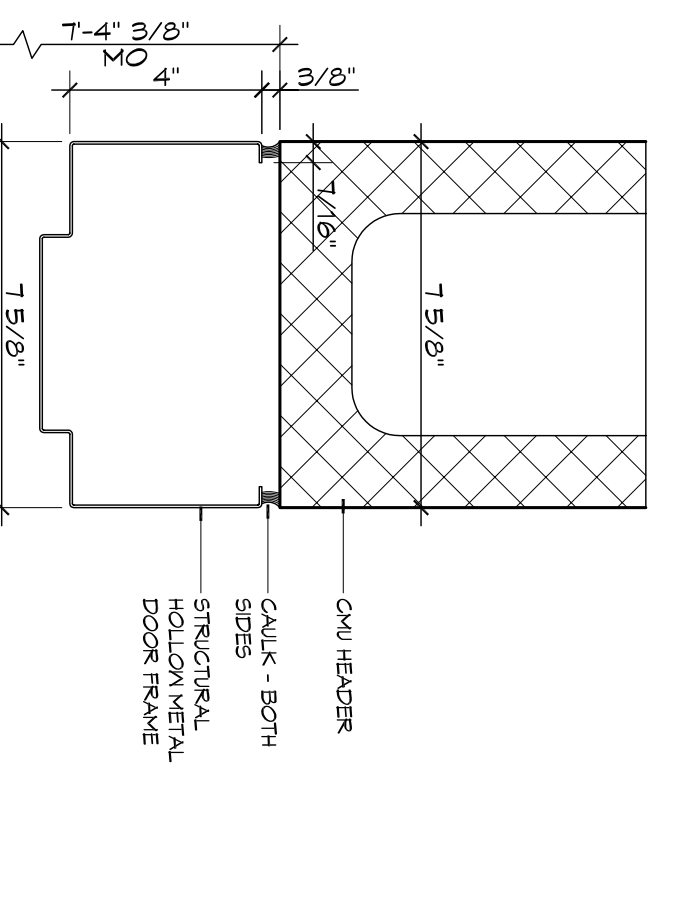
5 DOOR DETAIL
THRESHOLD
SCALE: 3/8" = 1'-0"



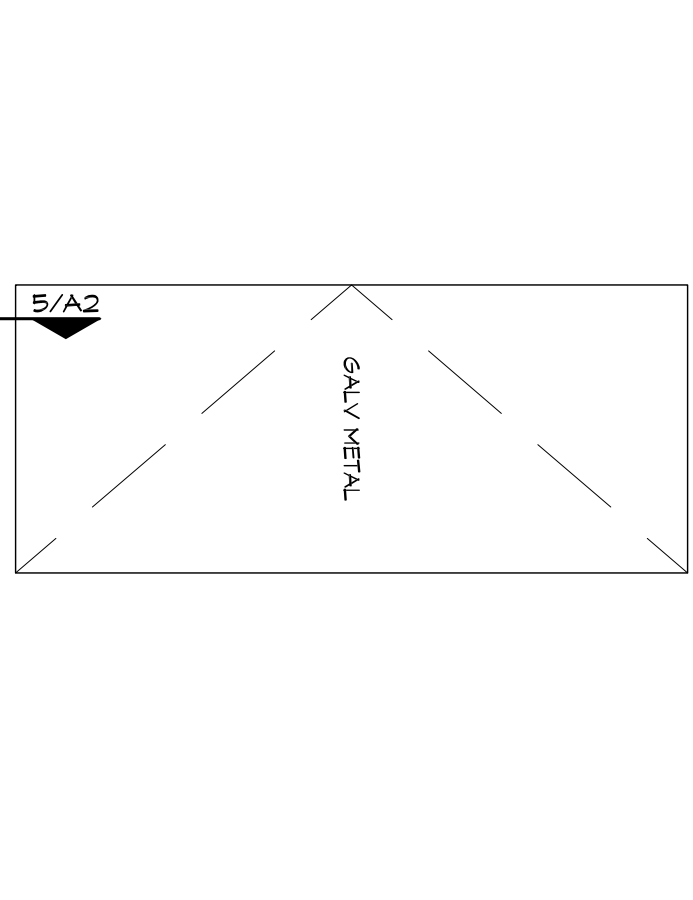
4 DOOR DETAIL
DOOR JAMB
SCALE: 3/8" = 1'-0"



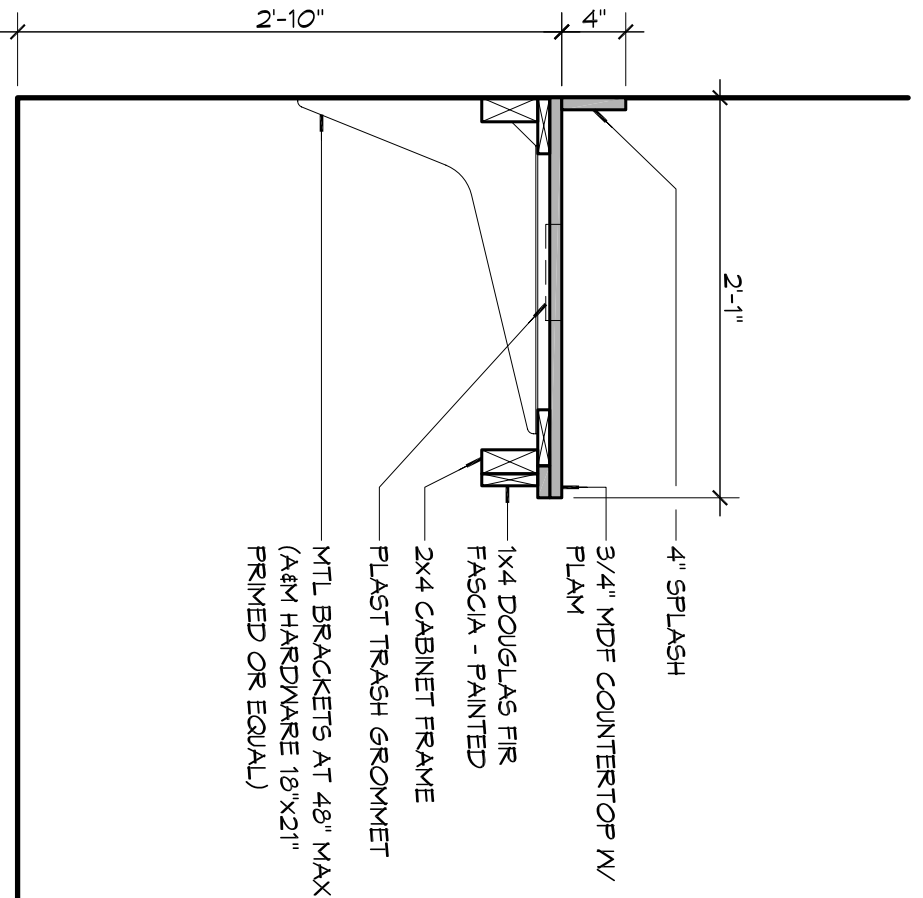
3 DOOR FRAME TYPE
SCALE: 1/2" = 1'-0"



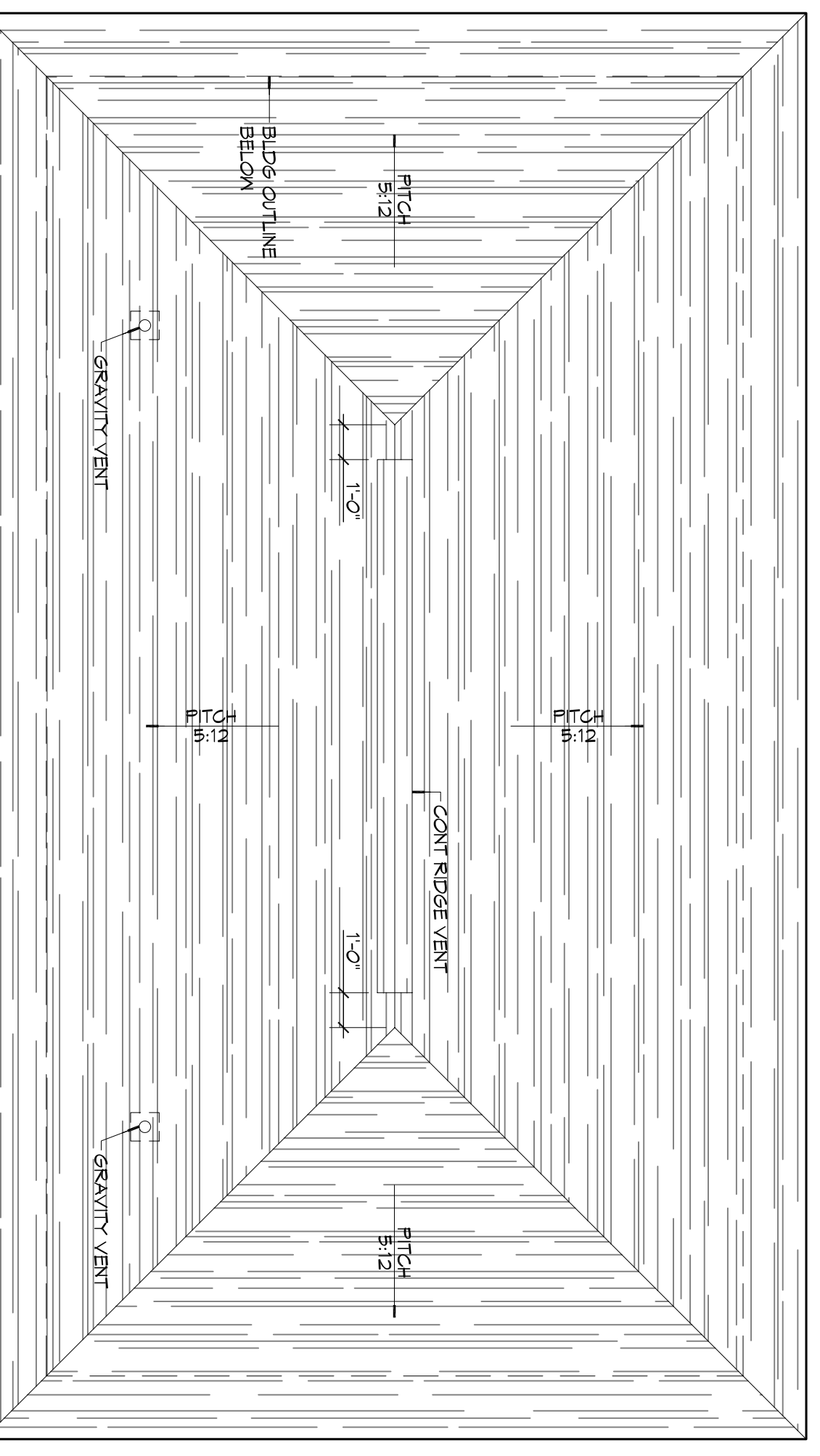
3 DOOR DETAIL
DOOR HEAD
SCALE: 3/8" = 1'-0"



2 DOOR TYPE
SCALE: 1/2" = 1'-0"



6 MILLWORK DETAIL
SCALE: 1" = 1'-0"



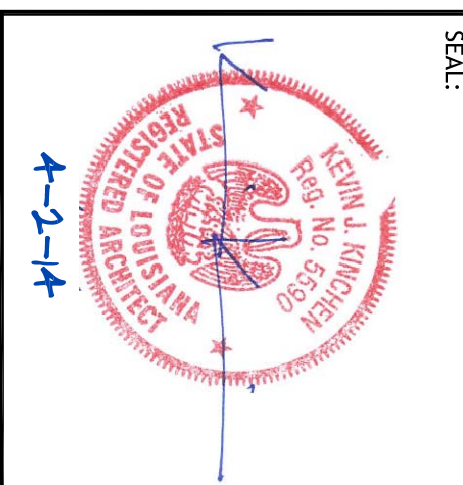
1 ROOF PLAN
SCALE: 1/4" = 1'-0"

#	DESCRIPTION	DATE

DAMMON ENGINEERING, INC.
Architects & Engineers

Chief Architect: Kevin J. Kinchen, NCARB
Chief Engineer: Brian Mistich, PE
554 Old Spanish Trail
Slidell, LA 70458

www.dammonengineering.com
info@dammonengineering.com
PH: 985.649.5832
F: 985.641.5950



CITY OF SLIDELL
2ND STREET RESTROOMS / VETERANS PARK IMPROVEMENTS
2602 2nd STREET
SLIDELL, LOUISIANA, 70458

JOB No: 2170 DATE: 4/2/2014
DRAWN BY: K.K. CHECKED BY: K.K.

SHEET TITLE:
ROOF PLAN & MILLWORK DOOR & FIN SCHEDULE DOOR DETAILS

DRAWING NUMBER:
A2

SHEET No: 6 of 8