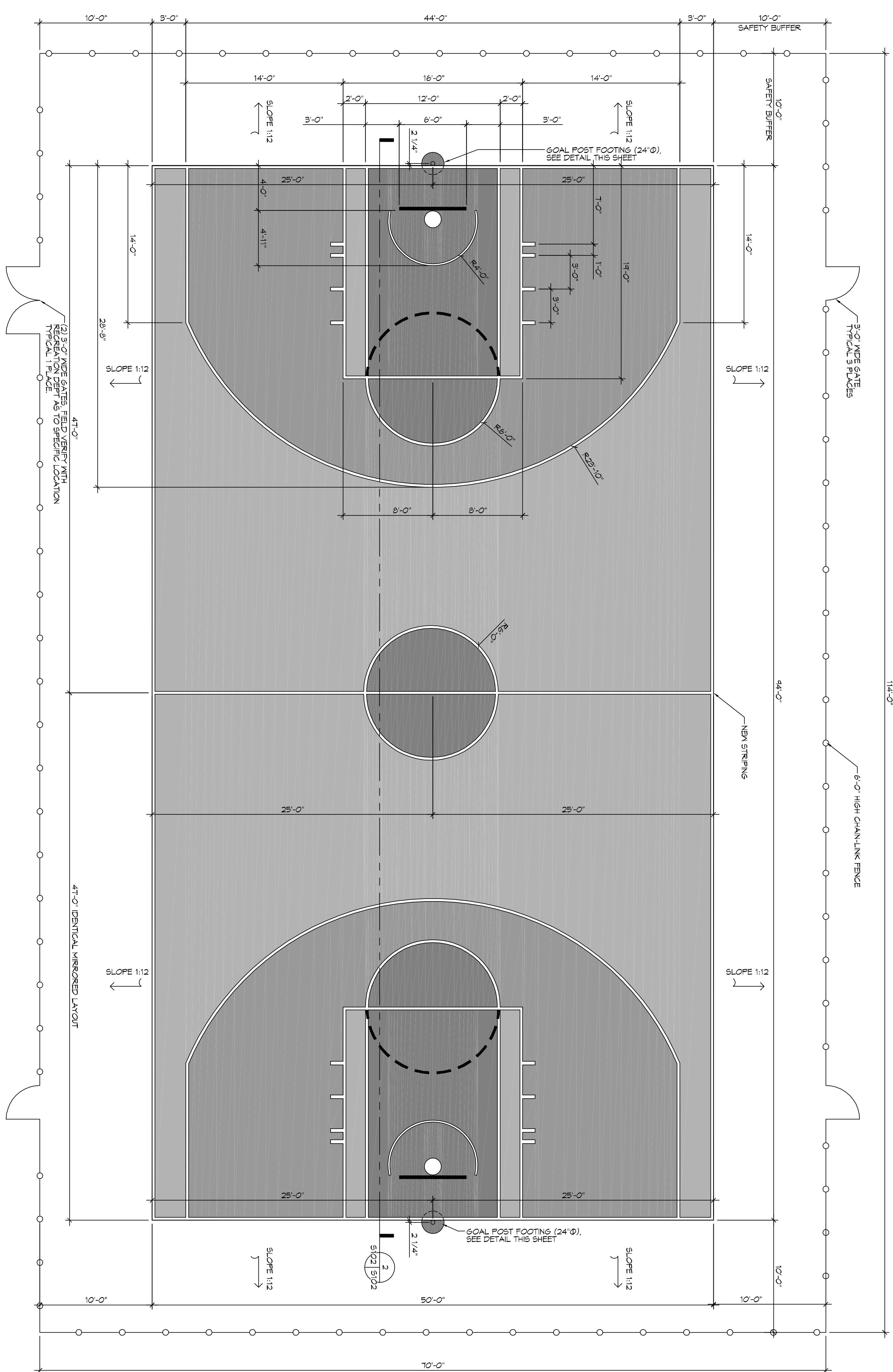
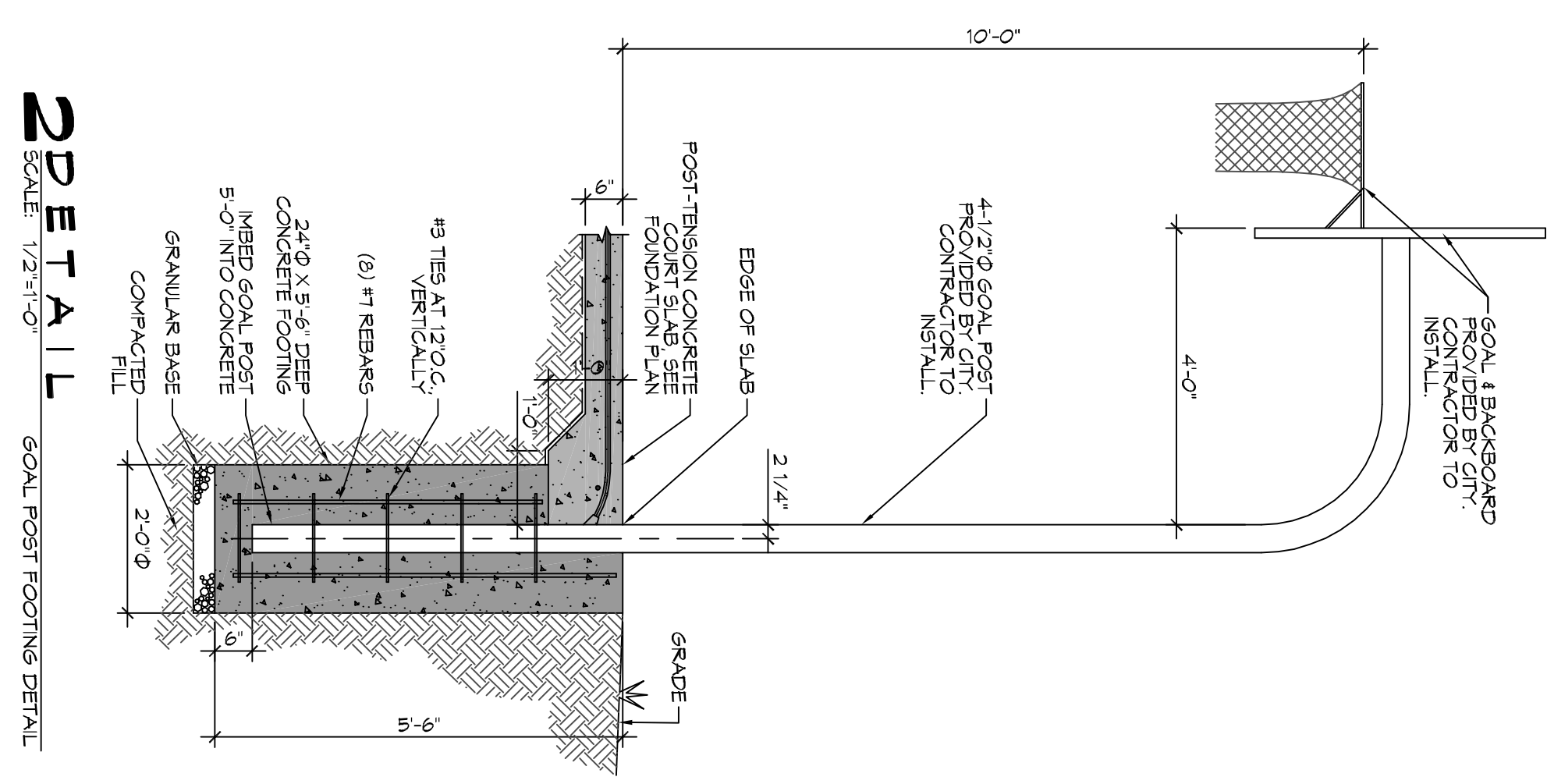
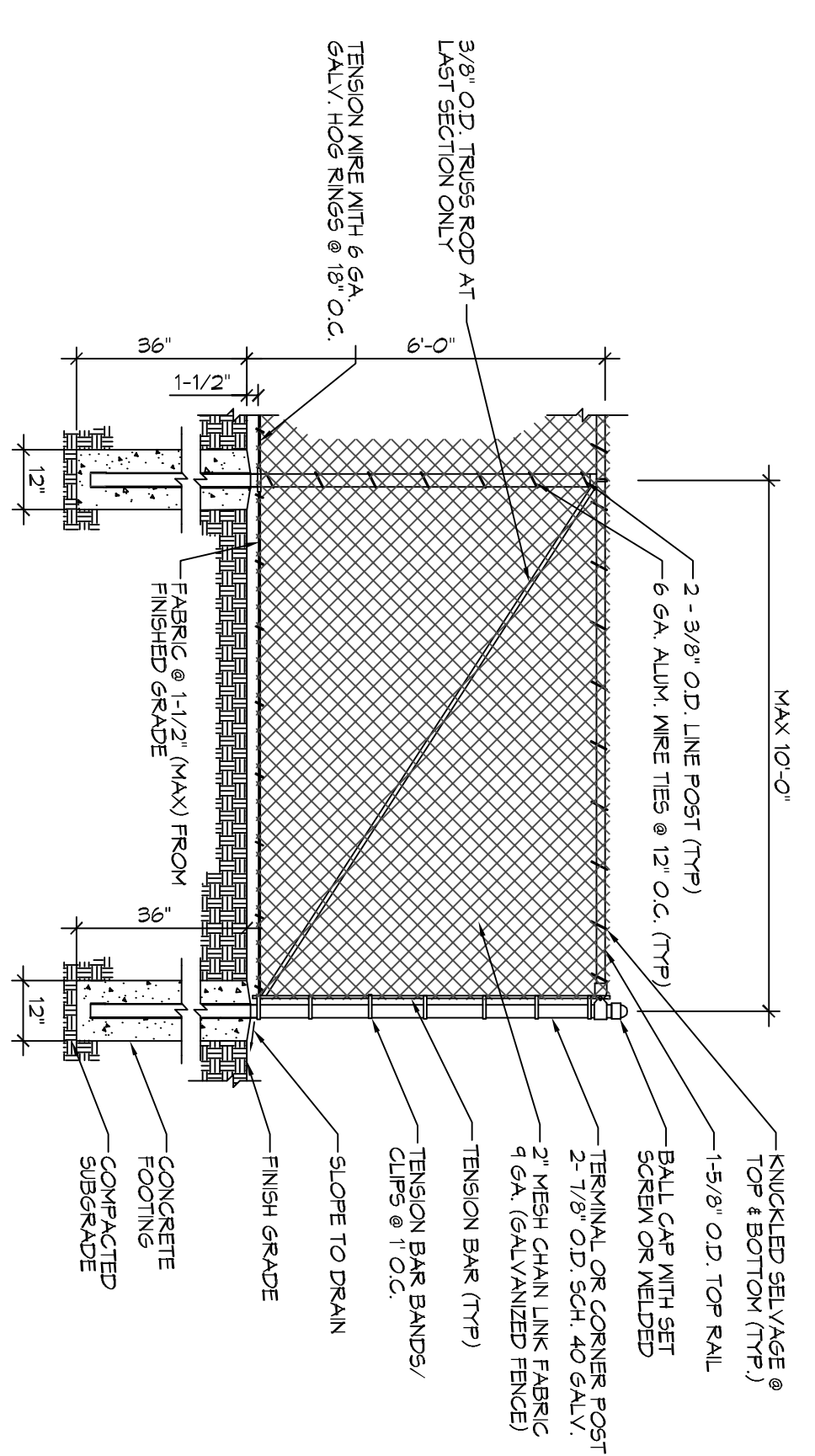


1 BASKETBALL COURT PLAN
SCALE: 3/16"=1'-0"



CONCRETE BASKETBALL COURT PLAN

2 DETAIL
SCALE: 3/4"=1'-0"
FENCE POST FOOTING DETAIL



2 DETAIL
SCALE: 1/2"=1'-0"
GOAL POST FOOTING DETAIL

REVISIONS		DATE
#	DESCRIPTION	

DAMMON ENGINEERING, INC.
LOUISIANA & MISSISSIPPI

Chief Engineer: Brian Mistich, PE
554 Old Spanish Trail
Slidell, LA 70458
www.dammonengineering.com
info@dammonengineering.com
PH: 985.649.5832 F: 985.641.5950

PRELIMINARY NOT FOR CONSTRUCTION

BASKETBALL COURT
POSSUM HOLLOW

801 COUSIN STREET
SLIDELL, LA 70458

JOB No: 2271 DATE: 12/16/2016

DRAWN BY: CKD/JTL CHECKED BY: BAM

SHEET TITLE:
BASKETBALL COURT PLAN

DRAWING NUMBER:
S101

SHEET No:
2 of 3