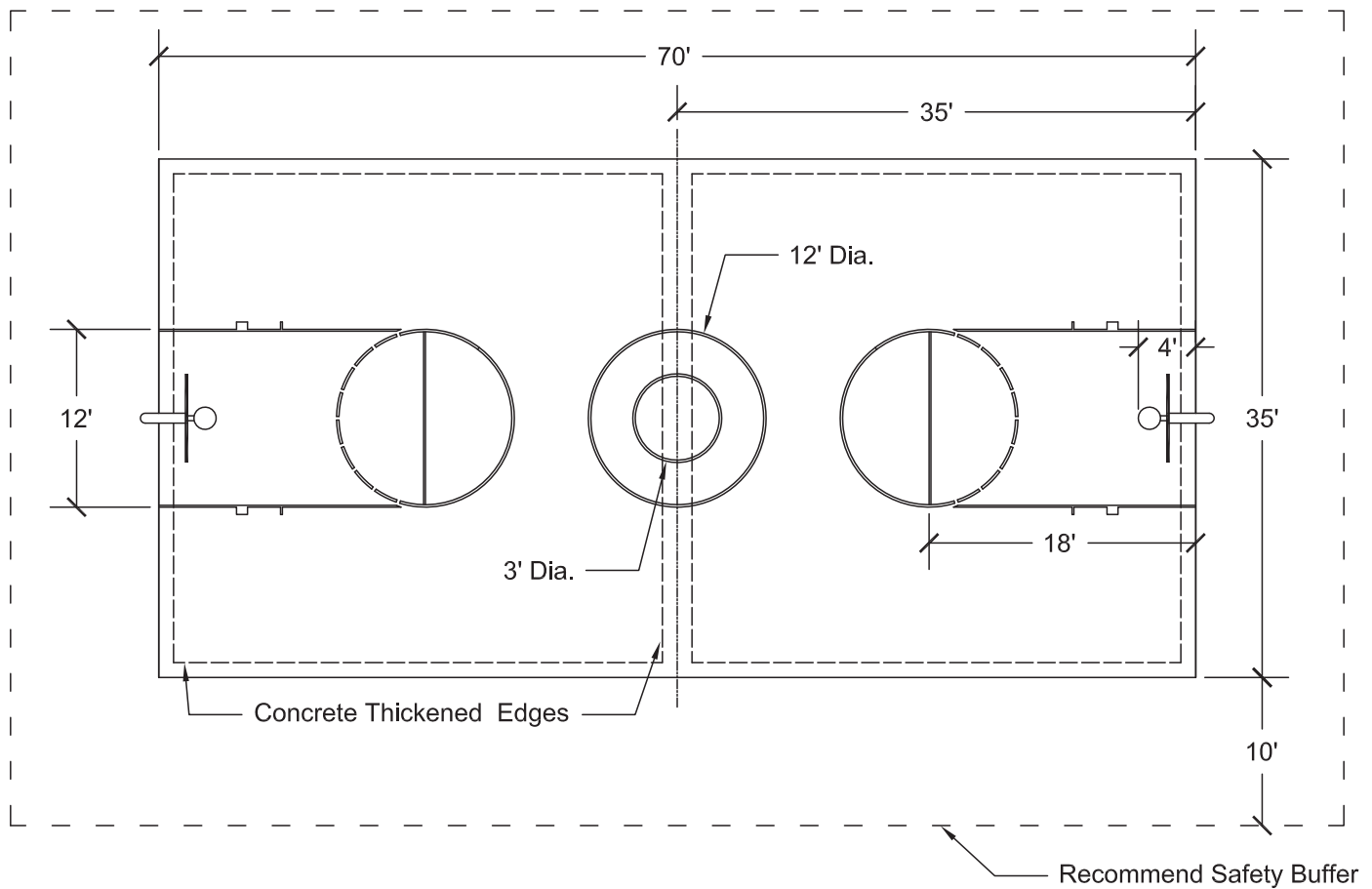


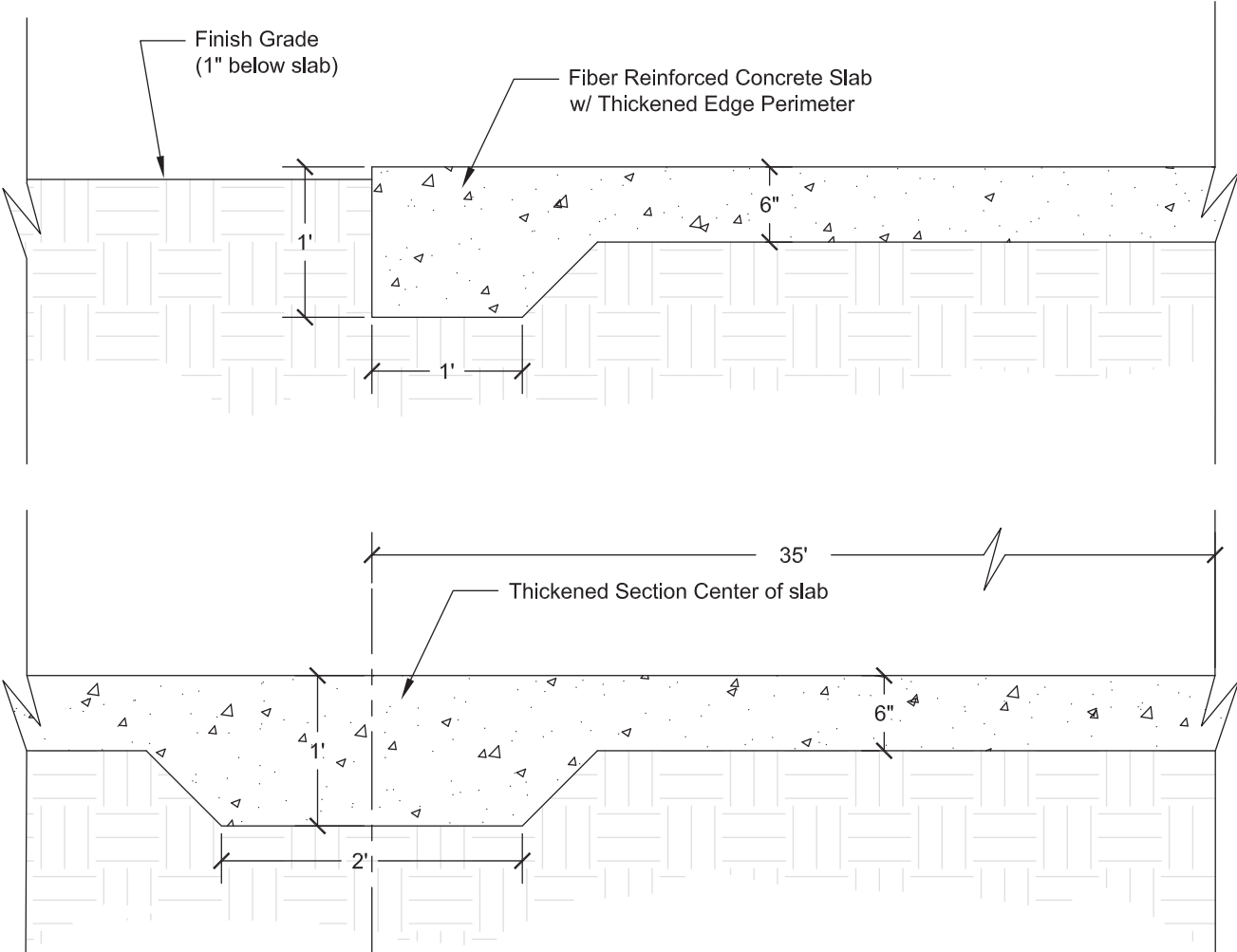
PLAY COURTS SECTION 7



Typical basketball court at Blackwater Park

BASKETBALL COURT

ORIENTATION	Long axis is north to south
DRAINAGE	Drain end to end
DIMENSION OPTIONS	Full court 35' x 70'; half court 35' x 35'
COURT	Concrete slab with fiber reinforcement with 2-inch wide white markings
SAFETY BUFFER	10-feet, or a minimum of 8-feet, unobstructed behind the back boundary line and a minimum of 6-feet on each sideline
PAVEMENT AREA	Allow a minimum of 3' additional from sideline to edge of pavement
GOAL POST	In-ground pole, 3 1/2" O.D. min, with a galvanized finish
BACKBOARD	One-piece cast aluminum alloy backboard with 1" deep supporting flanges
NET	White nylon



BASKETBALL COURTS EXAMPLES AT CITY VIEW PARK & BLACKWATER PARK

