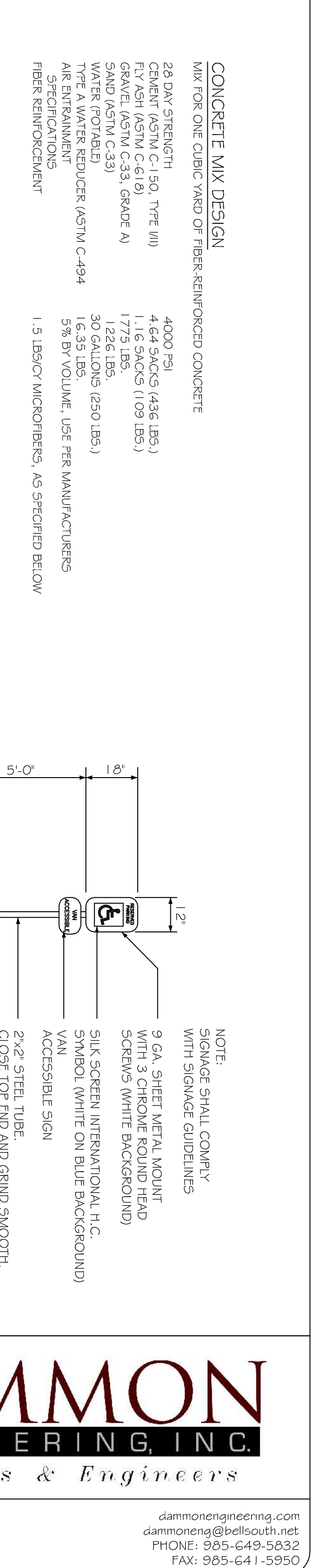
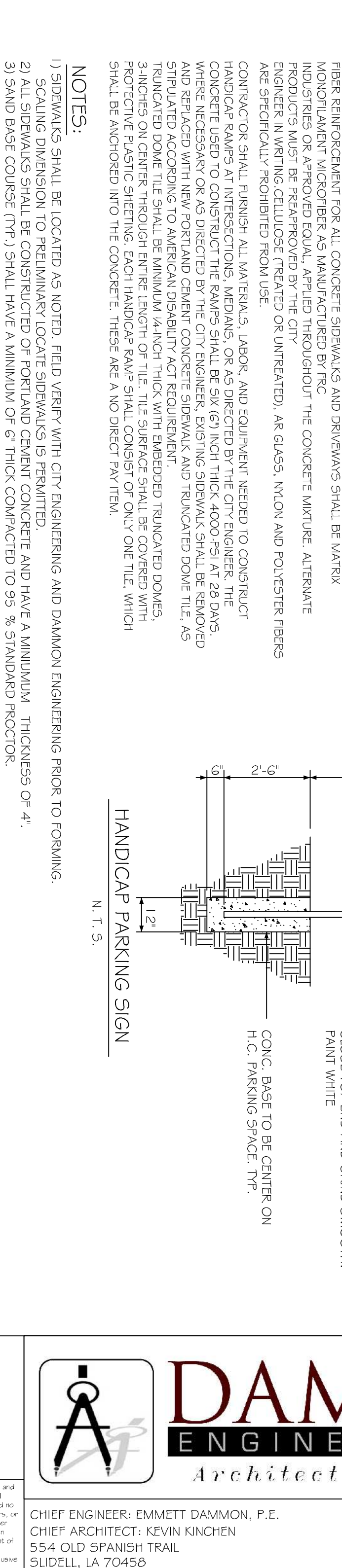
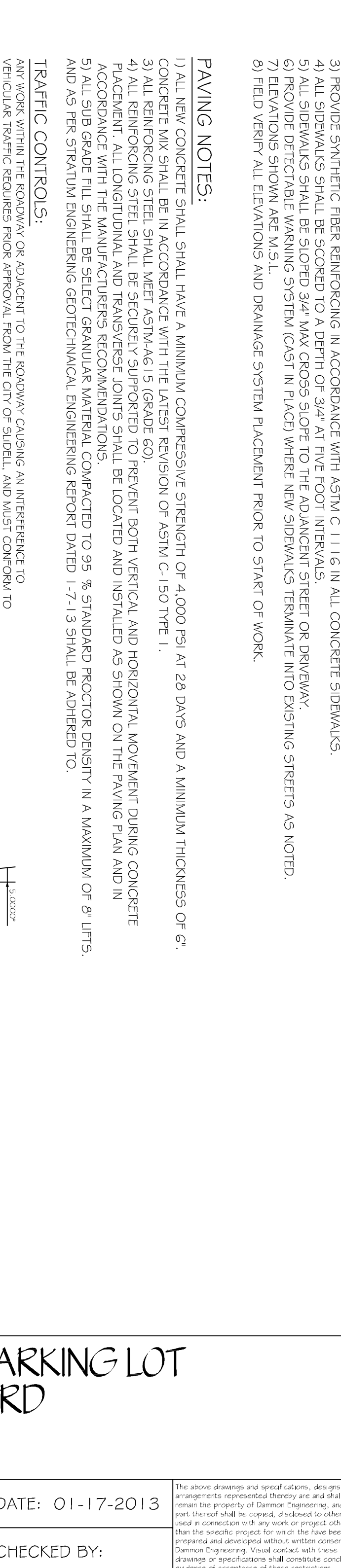
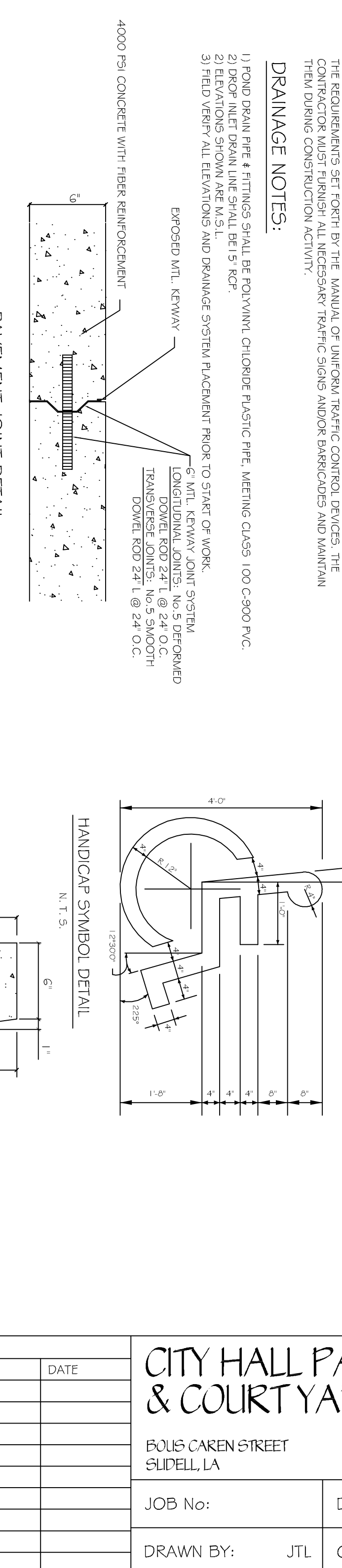
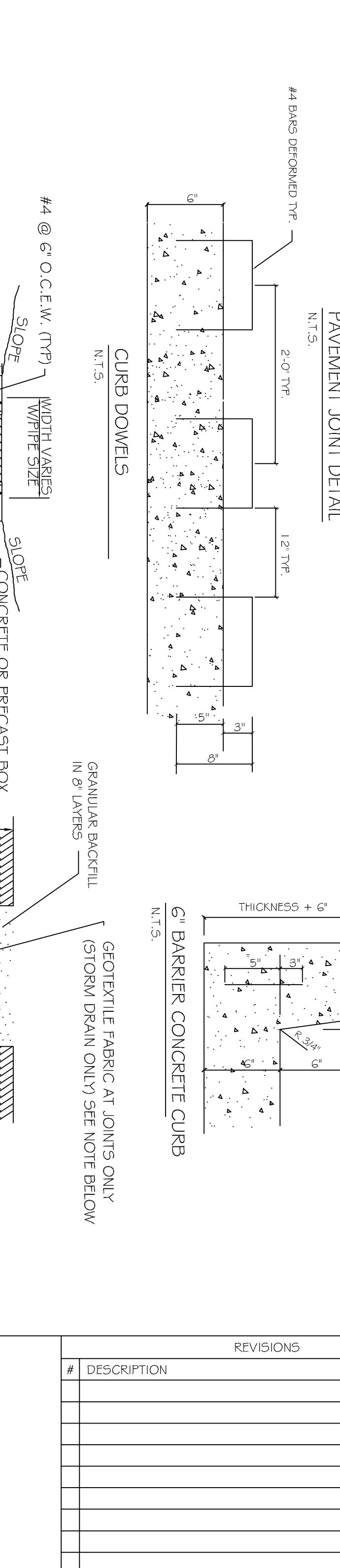
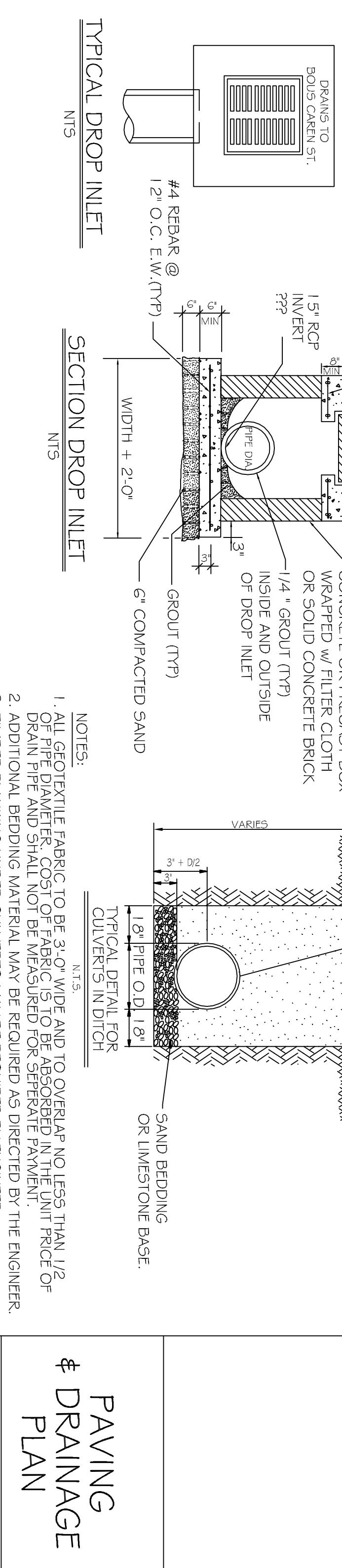


**PAVING & DRAINAGE PLAN**  
 SCALE: 1" = 10'



**PAVING & DRAINAGE PLAN**  
 SHEET No: **C2** OF

REVISIONS	DATE	DESCRIPTION

**CITY HALL PARKING LOT & COURTYARD**  
 BOUIS CAREN STREET  
 SLIDELL, LA

JOB No: \_\_\_\_\_  
 DATE: 01-17-2013  
 DRAWN BY: JTL  
 CHECKED BY: \_\_\_\_\_

The above drawings and specifications, designs and all amendments hereto shall be the property of Dammon Engineering, Inc. and shall remain the property of Dammon Engineering, Inc. and shall not be used for any other project or purpose without the written consent of Dammon Engineering, Inc. All work shall be done in accordance with the specifications and standards of the State of Louisiana and the City of Slidell, Louisiana. All work shall be done in accordance with the specifications and standards of the State of Louisiana and the City of Slidell, Louisiana. All work shall be done in accordance with the specifications and standards of the State of Louisiana and the City of Slidell, Louisiana.

**DAMMON ENGINEERING, INC.**  
 Architects & Engineers

CHIEF ENGINEER: EMMETT DAMMON, P.E.  
 CHIEF ARCHITECT: KEVIN KINCHEN  
 554 OLD SPANISH TRAIL  
 SLIDELL, LA 70458

dammonengineering.com  
 dammoneng@slidell.la.gov  
 PHONE: 985-649-5832  
 FAX: 985-641-5950