

rubex

Stair Lift



AmeriGlide

"We're everywhere you need to go"



Discover the Many Advantages of an AmeriGlide Rubex Stair Lift

Cost Considerations

In addition to the cost for the lift, be sure to consider the cost for installation, maintenance and repair. Many lifts require a two-person team, up to half-a-day to install, and you pay for it! Our lifts are so simple to install, it takes less than 2 hours. The maintenance and repair costs for our lifts are also lower because we do not use expensive circuit boards that are prone to failure.

Safety

The need for secure support is paramount. It's why our armrests are extra rigid. It's why our seats swivel exactly as they do. It's why our back rest is adjustable. It's why we use aircraft cable rated up to 4,200 lbs. on a drive system that has withstood the test of time for more than 50 years. It's why safety sensors do not allow the lift to run unless the seat is in the proper position. It's why our footrest has safety sensors to stop the lift if they encounter any obstacles on the stairs.

Installation

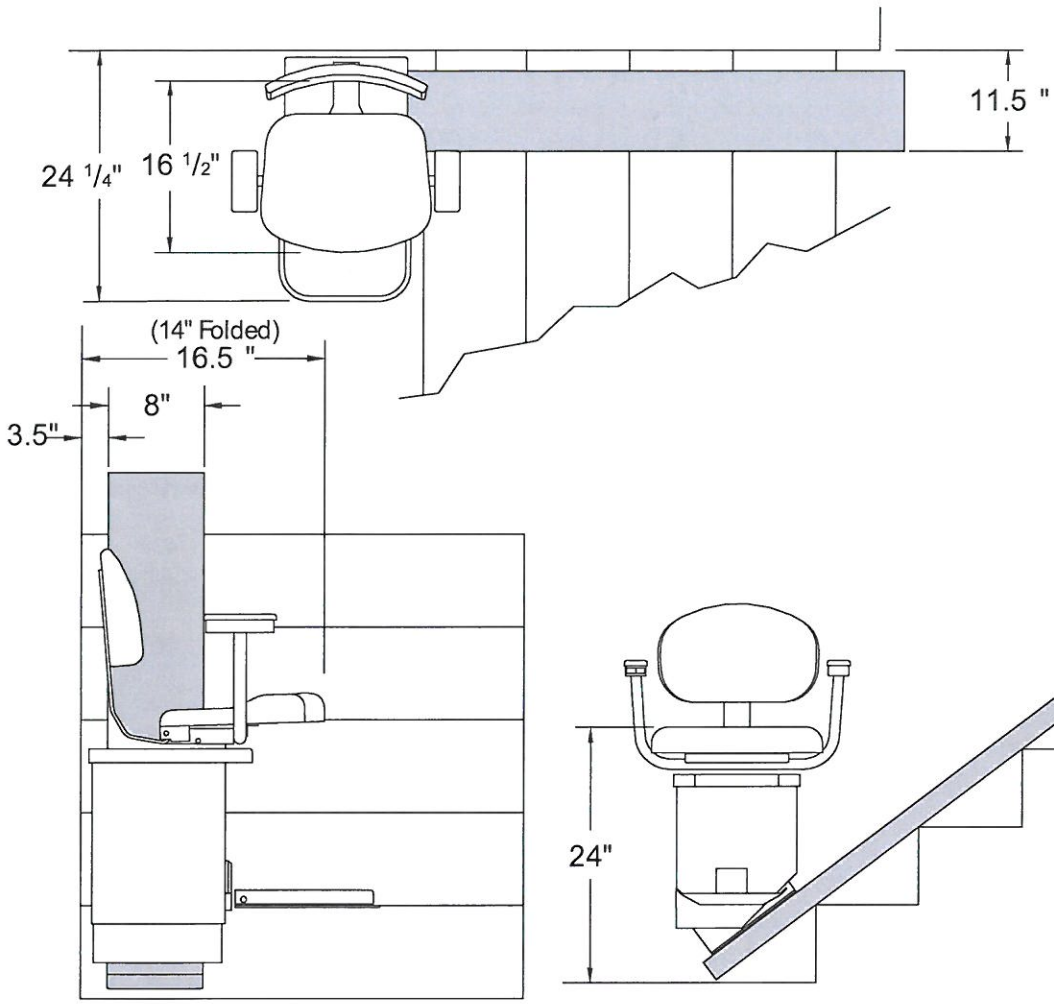
Our lifts are designed for fast, easy installation. The reason our lifts are so easy to install is because we do the hard part at the factory. The carriage is pre-installed on a short section of track. Installation is not much more complex than connecting a length of track, attaching it to the stairs, bolting down the seat, and plugging it in. Our installation instructions are clearly illustrated and very detailed, plus expert advice is never more than a phone call away.



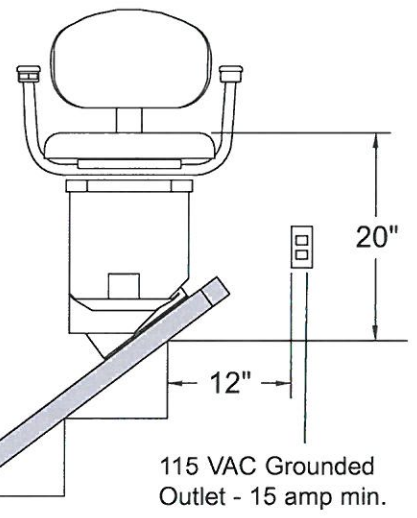
Comfort and Convenience

The backrest has three different settings, and the fold-up footrest adjusts to two different heights for the utmost in custom comfort. The seat swivels 90° towards the landing at both top and bottom to address bending, balancing and twisting issues when transitioning to and from the lift.

The spacious, wide seat features thick padding and attractive upholstery. The unit-control switch requires little manual dexterity to operate and is conveniently located at the end of the armrest.



Rubex Stair Lift



Inclined Cargo Lift

Make lifting large, heavy or bulky items up and down stairs easier and safer!

- Promote safety in:
- Storage rooms
 - Warehouses
 - Mezzanines
 - Manufacturing plants



AmeriGlide Rubex Power Options

Unlike other manufacturers, AmeriGlide Lifts provide you with the choice of two convenient power options. Choose between safe, AC electrical operation (low voltage, 24V controls), or add protection against power outages by using our DC battery operated system. Unlike other units, our DC battery operated unit continually recharges regardless of its position on the track. This eliminates the need for you to remember to park the lift on charging pins or to make sure it is in a charging zone.



Our lift folds to within 14" of the wall when not in use, and the track is only 11.5, leaving plenty of room for foot traffic.



Features

- Simple Installation
- Installs on either side of staircase
- Mounts to the stairs - not the wall
- Travel up to 25 feet
- Extruded aluminum track is factory cut to fit your stairs
- Track only takes up 11.5" of staircase and chair folds to 14" from wall
- Unit-controls mount on either armrest
- Wall-mounted call/send controls
- Constant-pressure controls stop the lift the instant you release the control
- Limit switches automatically shut the unit off at the top and bottom of the stairs
- Footrest safety sensors stop the lift should it contact anything on the stairs
- Wide, comfortable seat swivels 90° toward landing at each level for safe and easy enter and exit
- Safety switch prevents lift from running when seat is not in proper position
- 300 lbs (DC) / 350 lbs (AC) capacity: aircraft cable rated for 4,200 lbs.
- Durable off white powder coat finish
- Operates on standard household current, 110 VAC grounded outlet
- Smooth starts and stops
- Made in America!



Safety sensors on the footrest stops travel the instant an obstacle is detected.



Wall-mounted call/send controls enable you to control the lift from either landing.

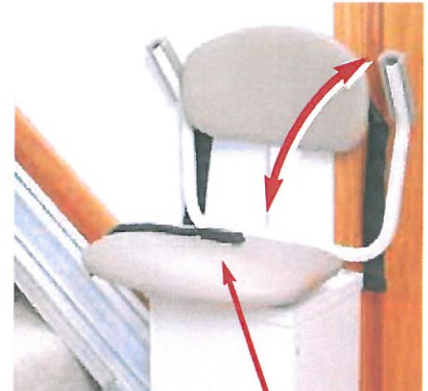


Rocker controls can be installed on either arm.

Optional folding arms fold up to create more room on the stairway. Their height is easily adjusted to accommodate different sized people.



Use the optional side-car basket to carry groceries, laundry and other items up and down stairs.



Hand-held pendant controls come standard with folding arm seat.

Light Almond