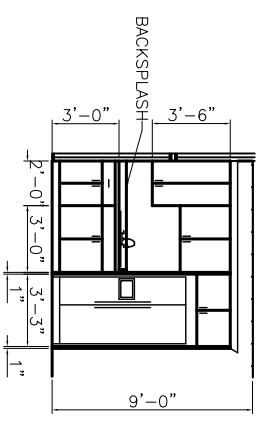
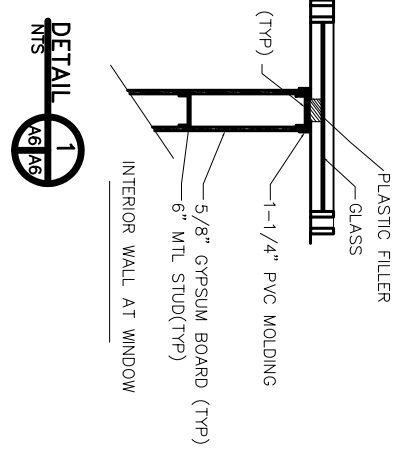
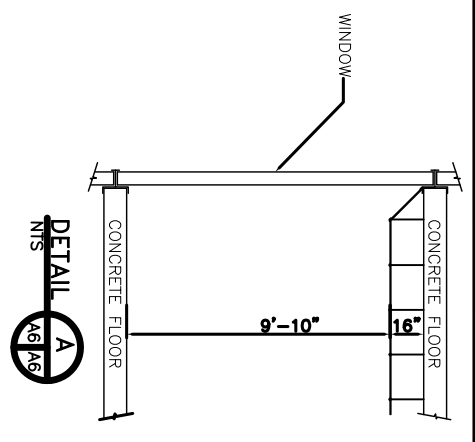
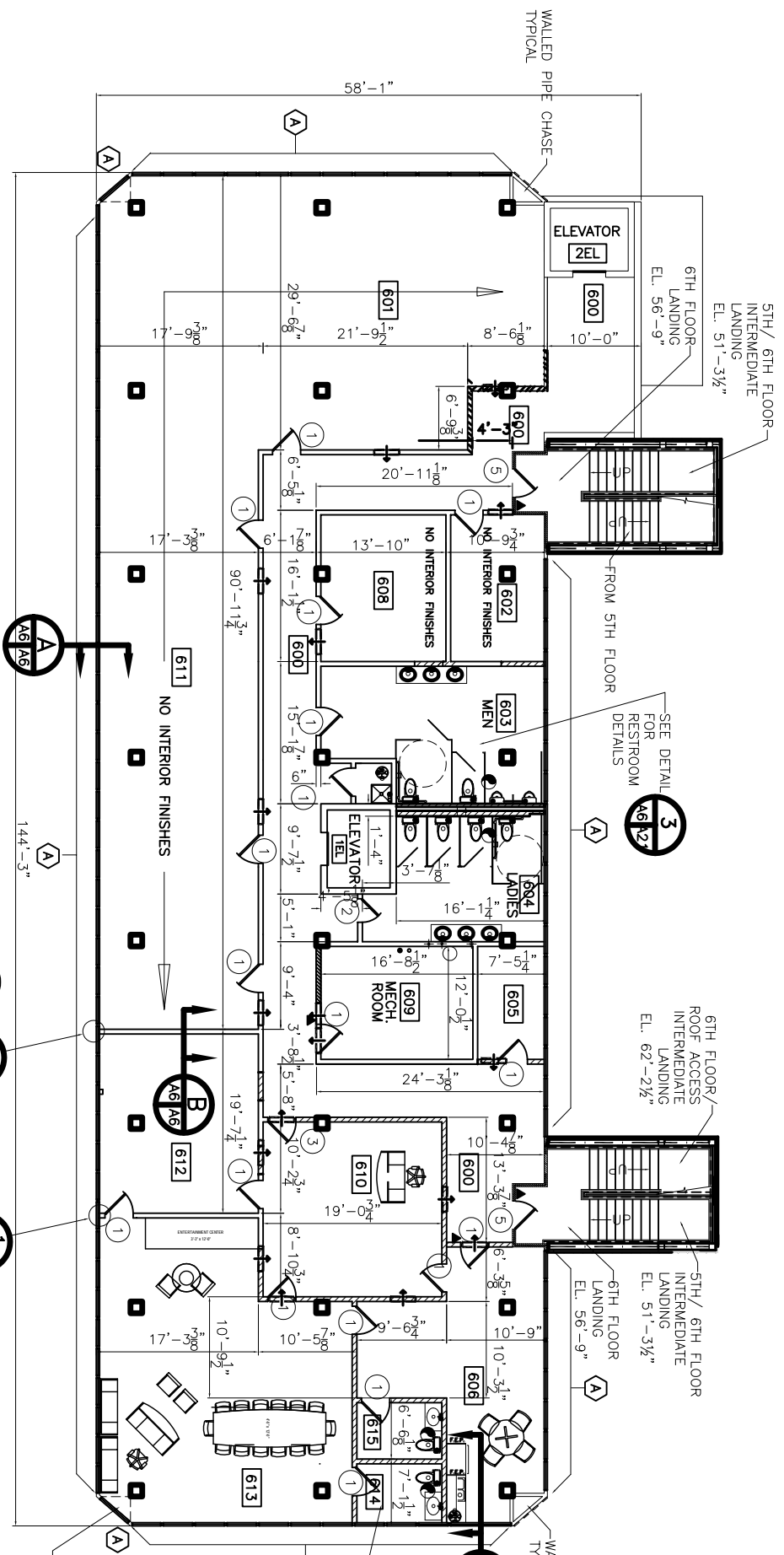


SEE DRAWING A-6
IN ALTERNATE BID PACKAGE
FOR ALTERNATE HVAC SYSTEM
(ALTERNATE BID #2)



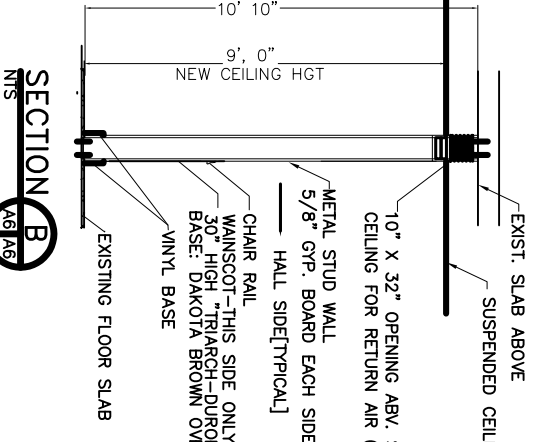
ROOM	FLOOR				BASE				WALLS				CEILING				DLG HIT	REMARKS	
	CONCRETE	VINYL TILE	CARPET	CERAMIC TILE	PAINTED WOOD	CERAMIC TILE	VINYL	WOOD	NONE	CERAMIC TILE	GYPSUM BOARD	GREENBOARD	PAINT	CONCRETE	ACOUSTIC TILE	FRP BOARD			OPEN
600																			
601																			
602																			
603																			
604																			
605																			
606																			
607																			
608																			
609																			
610																			
611																			
612																			
613																			
614																			
615																			

- LEGEND**
- NEW WALL - [Symbol]
 - NEW 1 HOUR RATED WALL - [Symbol]
 - EXISTING WALL - [Symbol]
 - CURTAIN WALL - [Symbol]
 - SECURITY ACCESS DOOR - [Symbol]
 - (SCANNER BY OTHERS)
 - RETURN AIR CASIED OPENING - [Symbol]
 - IN WALL (ROOM TO CEILING) - [Symbol]

*SEE SPEC FOR ALLOWANCE
FOR INTERIOR DECORATING
UNDERCUT ALL DOORS 3/4" TO ALL FOR
PROPER EXHAUST AIR FLOW

DOOR	TYPE				FRAME				HINGE				LOCK				REMARKS		
	SOLID WOOD	HOLLOW METAL	ALUM./GLASS	STEEL	STEEL	ALUMINUM	WOOD	CASD OPENING	DOUBLE SWING	BUTT 1 1/2"	BURGLARPROOF	SLIDING	PRIVACY	DEADBOLT	KEYED HANDLE	PUSH PULL			
1																			
2																			
3																			
4																			
5																			

WINDOW	TYPE				FRAME				GLASS				FINISH				REMARKS				
	FIXED	VERTICAL SLIDE	HORIZONTAL SLIDE	STORE FRONT	STEEL	ALUMINUM	WOOD	TINTED	PLAIN	GLAZED	WIREGLASS	NONE	2/2"	4/4"	6/6"	8/8"		ALARM	SCREEN	SHUTTER	NONE
1																					
2																					
3																					
4																					
5																					



<p>REVISID: 05/17/07db REVISID: 04/09/07 REVISID: 02/19/07 REVISID: 01/22/07</p>	<p>SCALE AS NOTED</p>	<p>FILE:</p>	<p>JOB NO. 1729</p>	<p>DATE: 1-8-07</p>	<p>SHEET</p>	<p>A-6</p>	<p>OF</p>
	<p>RENOVATE OFFICE BUILDING</p>			<p>DAMMON ENGINEERING. INC.</p> <p>1095 FLORIDA AVENUE 985-649-5832 SLIDELL, LA. 70458 DAMMONENGINEERING.COM</p>			<p>6TH FLOOR RENOVATE PLAN</p> <p>ST. TAMMANY PARISH ADMIN. COMPLEX 520 OLD SPANISH TRAIL SLIDELL, LOUISIANA</p>