

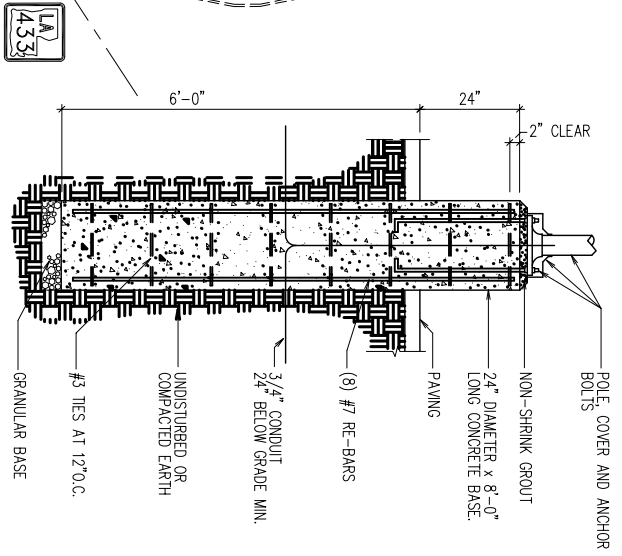
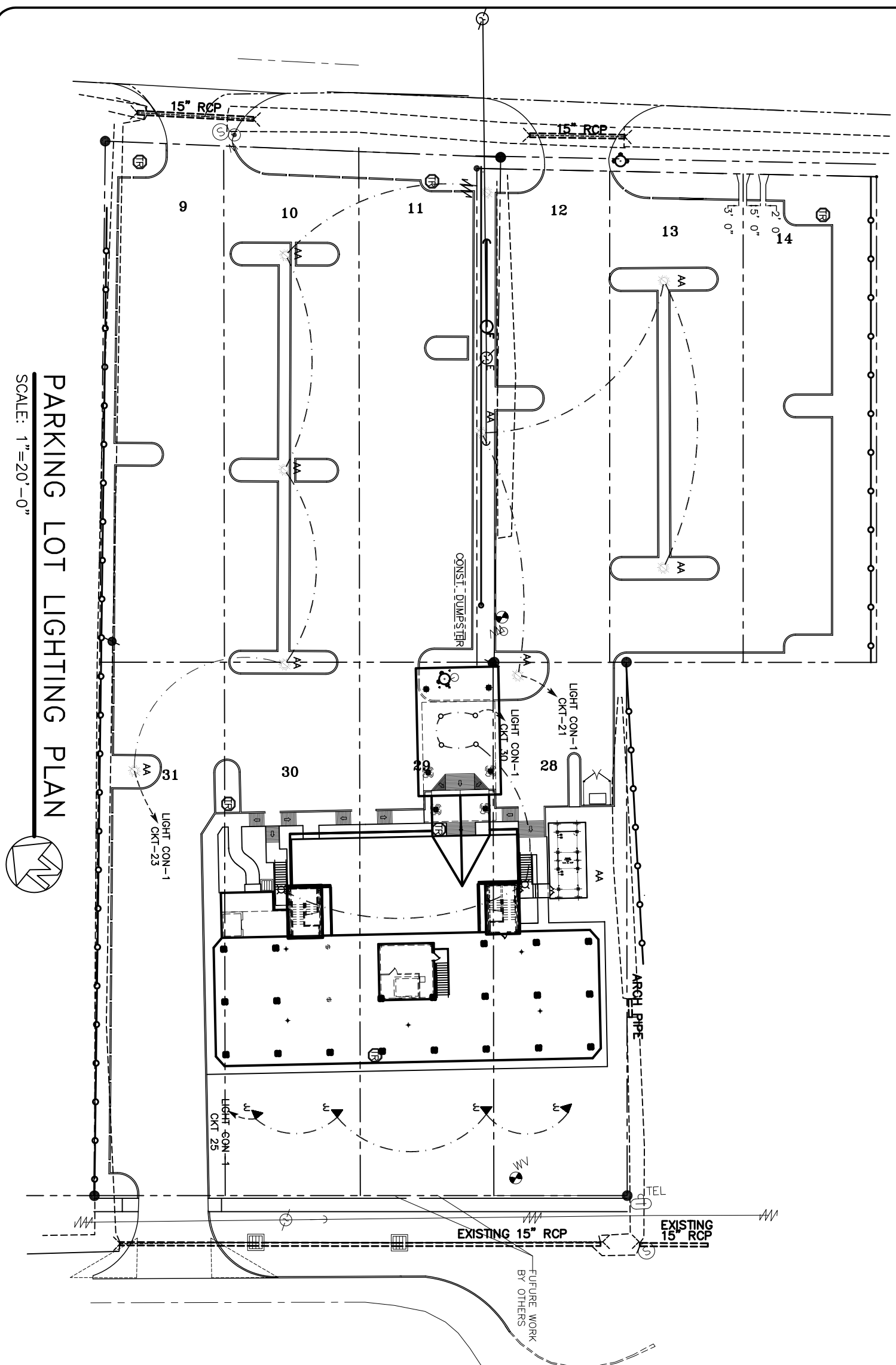
**NOTE:**  
ALL UTILITIES SHALL BE INSTALLED UNDERGROUND.

**SITE LIGHTING**

EXTERIOR LIGHTING SHALL BE SHADED OR INWARDLY DIRECTED IN SUCH A MANNER SO THAT NO DIRECT LIGHTING OR GLARE IS CAST BEYOND THE PROPERTY LINE. THE INTENSITY OF SUCH LIGHTING SHALL NOT EXCEED ONE FOOT CANDLE AS MEASURED AT THE ADJUTING PROPERTY LINE.

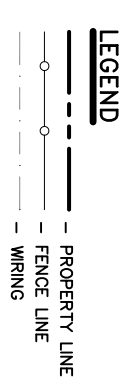
**LUMINAIRE TYPE SUMMARY**

TYPE	BRAND NAME	CATALOG NUMBER	QUANTITY
AA	LITHONIA	KVR2	10
BB	-	-	4
BB1	-	-	2
JJ	CONSOLIDATED ARCH. LIGHTING	DCM-B2-ANI-BLACK	4
DESCRIPTION			9
AA	ON A 30' POLE WITH A 2 FOOT PEDESTACK		
JJ	GROUND MOUNTED		



**LIGHT POLE DETAIL**

N. T. S.



**PARKING LOT LIGHTING PLAN**

SCALE: 1"=20'-0"

REVISED: 03-07-07db

<p>RENOVATE OFFICE BUILDING</p> <p><b>DAMMON ENGINEERING. INC.</b></p> <p>1095 FLORIDA AVENUE 985-649-5832 SLIDELL, LA. 70458 DAMMONENGINEERING.COM</p>	<p><b>PARKING LOT LIGHTING PLAN</b></p> <p>ST. TAMMANY PARISH OFFICE BUILDING 520 OLD SPANISH TRAIL SLIDELL, LOUISIANA</p>
<p>SCALE: 1"=20'</p> <p>FILE:</p> <p>JOB NO. 1729</p> <p>DATE: 1-8-07</p> <p>SHEET</p> <p>E. 14</p> <p>OF</p>	