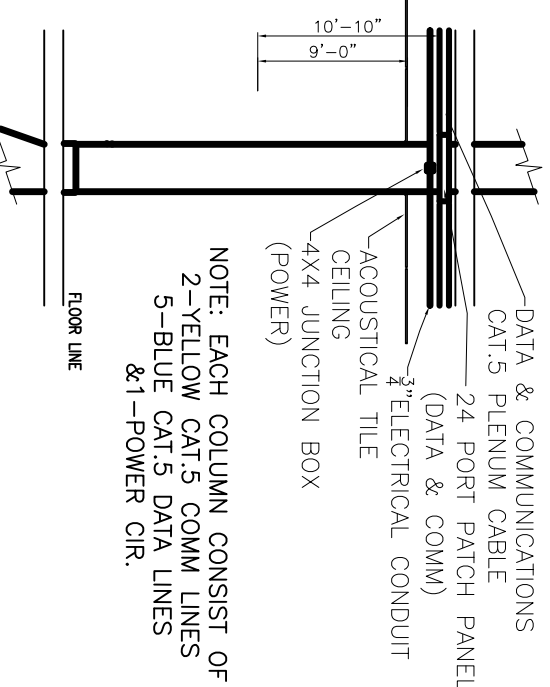
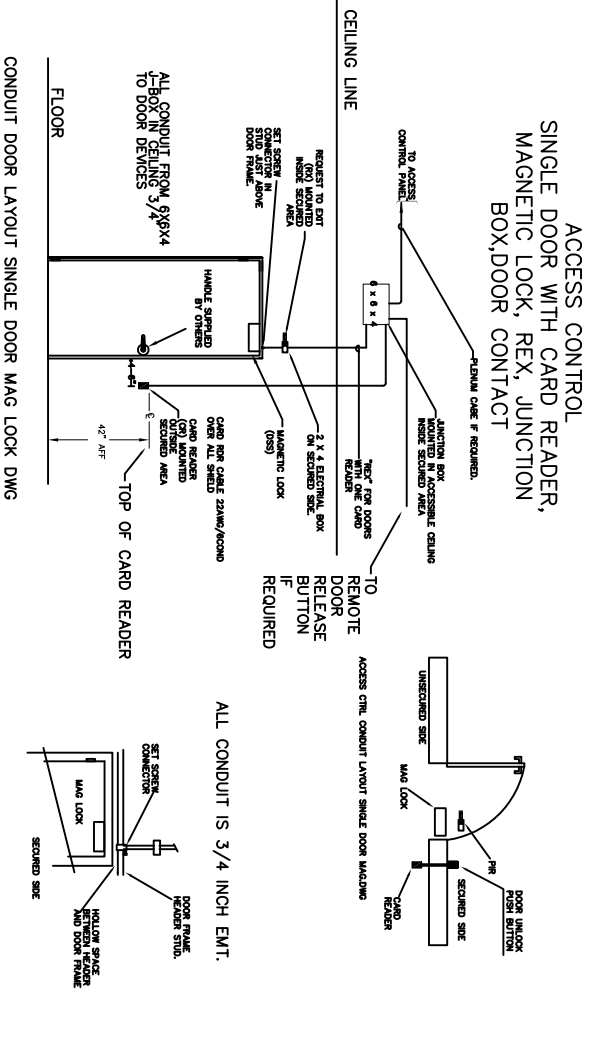


SEE DRAWING E3-P
 IN ALTERNATE BID PACKAGE
 FOR ALTERNATE HVAC SYSTEM
 (ALTERNATE BID #2)

- LEGEND**
- ⊕ NEW DUPLEX RECEPTACLE
 - ⊙ EXHAUST FAN
 - ▲ SECURITY ACCESS DOOR (SCANNER BY OTHERS)
 - ⬇ COMM & DATA
 - ⓪ COLUMN MOUNTED UTILITY
- NOTES**
- ALL NEW POWER PANES ARE TO BE MOUNTED ON THE NORTH WALL OF THE MECHANICAL ROOMS

THIRD FLOOR POWER PLAN
 SCALE: 3/16" = 1'-0"



COLUMN MOUNTED UTILITY DETAIL
 SCALE: NTS

<p>OF</p> <p style="font-size: 2em; font-weight: bold;">E3P</p> <p>SHEET</p>	<p>RENOVATE OFFICE BUILDING</p> <p style="font-size: 2em; font-weight: bold;">DAMMON ENGINEERING. INC.</p> <p>1095 FLORIDA AVENUE 985-649-5832 SLIDELL, LA. 70458 DAMMONENGINEERING.COM</p>	<p>3RD FLOOR POWER PLAN</p> <p>ST. TAMMANY PARISH ADMIN. COMPLEX OLD SPANISH TRAIL SLIDELL, LOUISIANA</p>
<p>SCALE: AS NOTED</p> <p>FILE:</p> <p>JOB NO. 1729</p> <p>DATE: 1-8-07</p>		