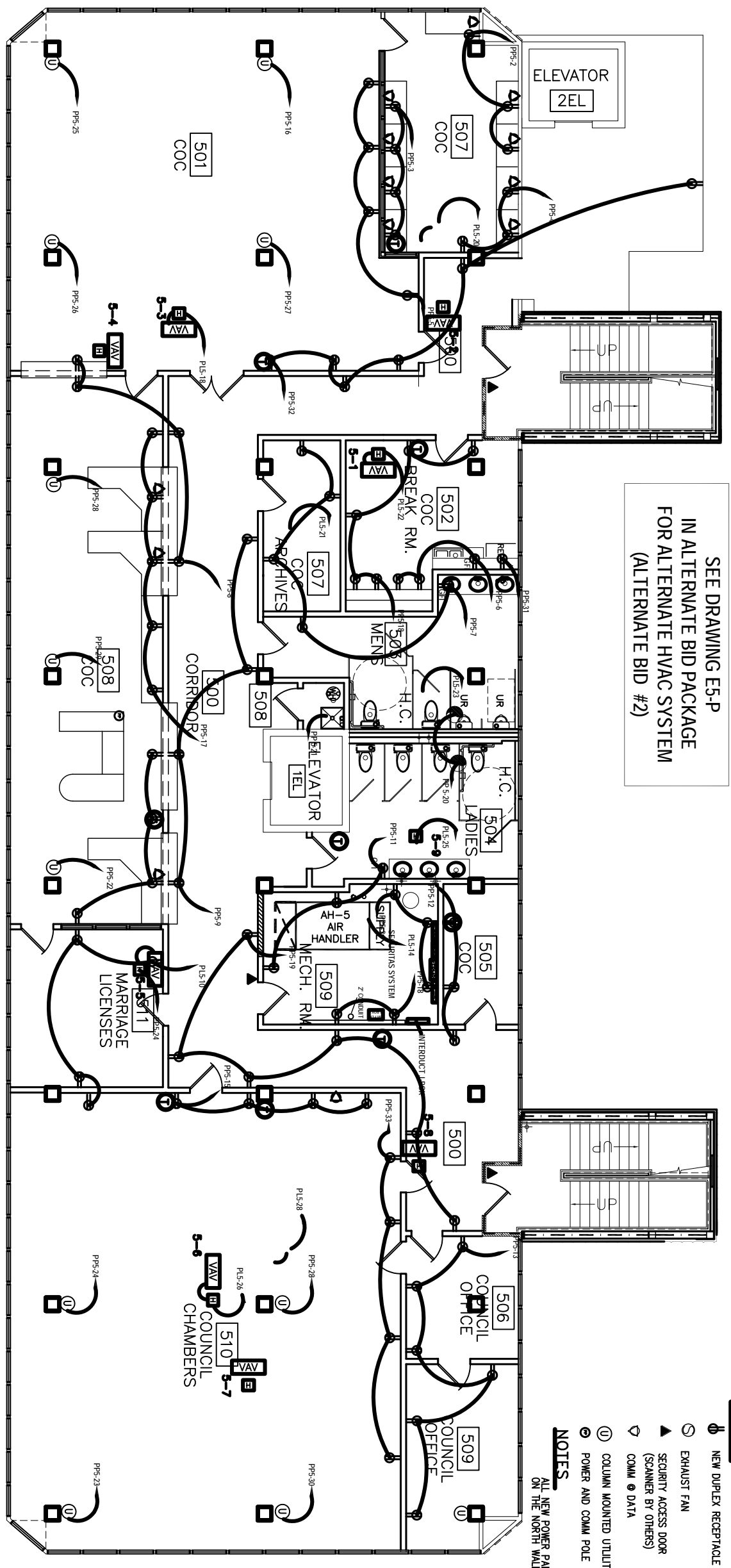


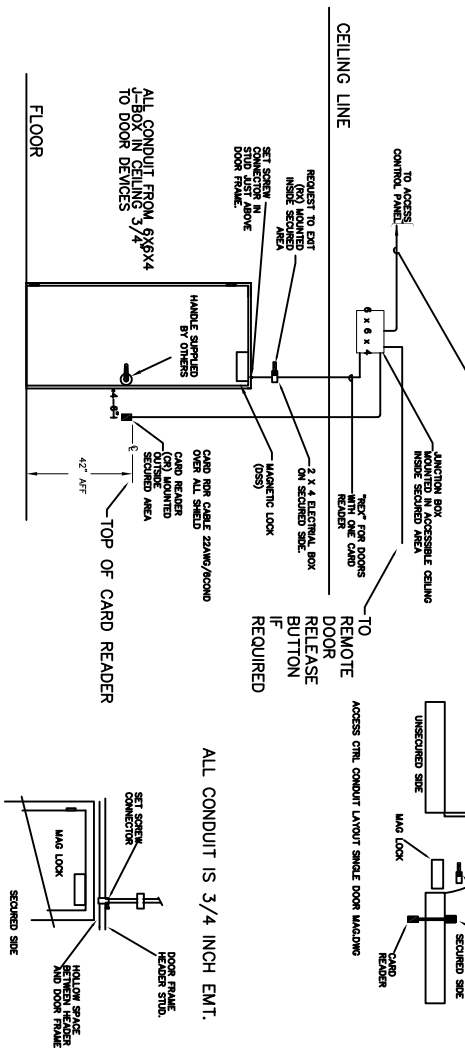
SEE DRAWING E5-P
IN ALTERNATE BID PACKAGE
FOR ALTERNATE HVAC SYSTEM
(ALTERNATE BID #2)



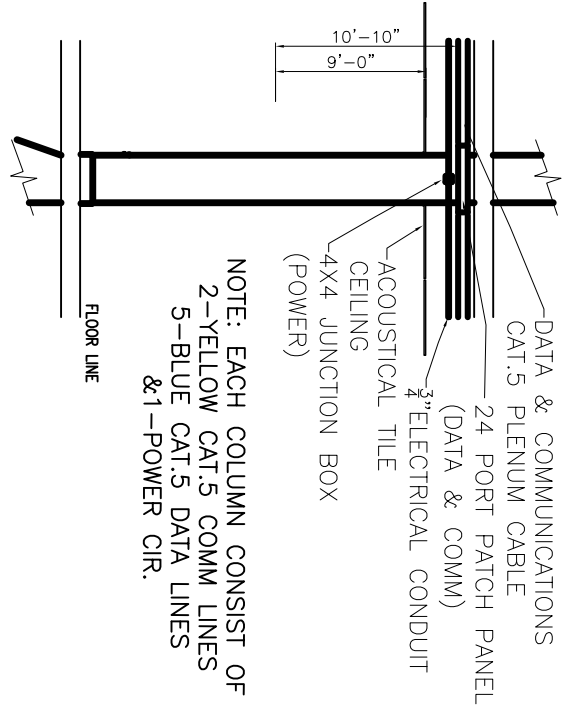
- LEGEND**
- ⊕ NEW DUPLEX RECEPTACLE
 - ⊖ EXHAUST FAN
 - ▲ SECURITY ACCESS DOOR (SCANNER BY OTHERS)
 - ⬇ COMM
 - ⊙ DATA
 - ⊕ COLUMN MOUNTED UTILITY
 - ⊖ POWER AND COMM POLE

NOTES
ALL NEW POWER PANS ARE TO BE MOUNTED ON THE NORTH WALL OF THE MECHANICAL ROOMS

ACCESS CONTROL,
SINGLE DOOR WITH CARD READER,
MAGNETIC LOCK, REX, JUNCTION
BOX, DOOR CONTACT



FIFTH FLOOR POWER PLAN
SCALE: 3/16" = 1'-0"



NOTE: EACH COLUMN CONSIST OF
2-YELLOW CAT.5 COMM LINES
5-BLUE CAT.5 DATA LINES
& 1-POWER CIR.

COLUMN MOUNTED UTILITY DETAIL
SCALE: NTS

REVISED: 01/23/07

RENOVATE OFFICE BUILDING

DAMMON ENGINEERING. INC.

1095 FLORIDA AVENUE 985-649-5832 SLIDELL, LA. 70458
DAMMONENGINEERING.COM

5TH FLOOR POWER PLAN
ST. TAMMANY PARISH ADMIN. COMPLEX
OLD SPANISH TRAIL
SLIDELL, LOUISIANA

SCALE:AS NOTED
FILE:
JOB NO. 1729
DATE:1-8-07
SHEET
E5P
OF